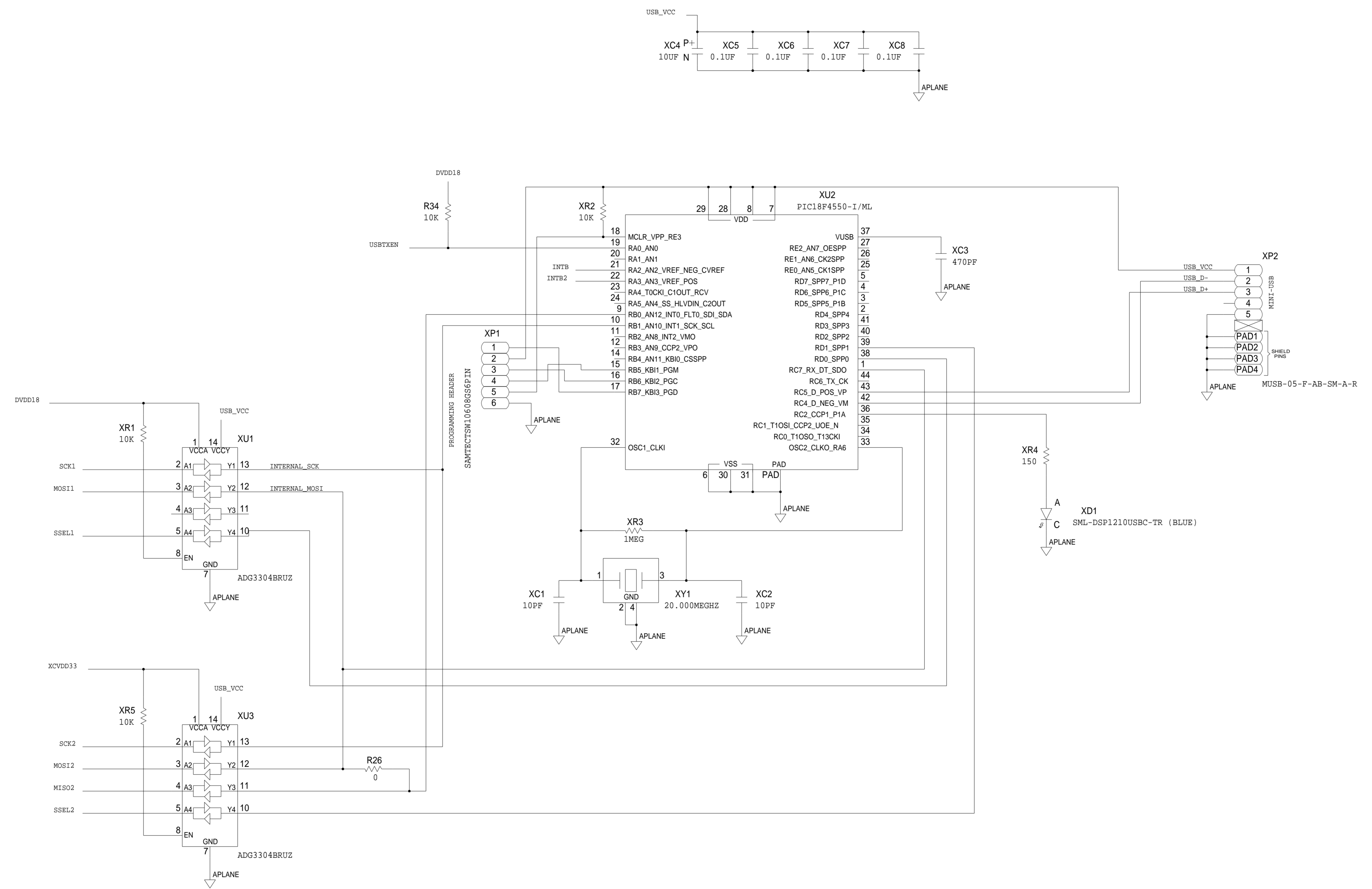




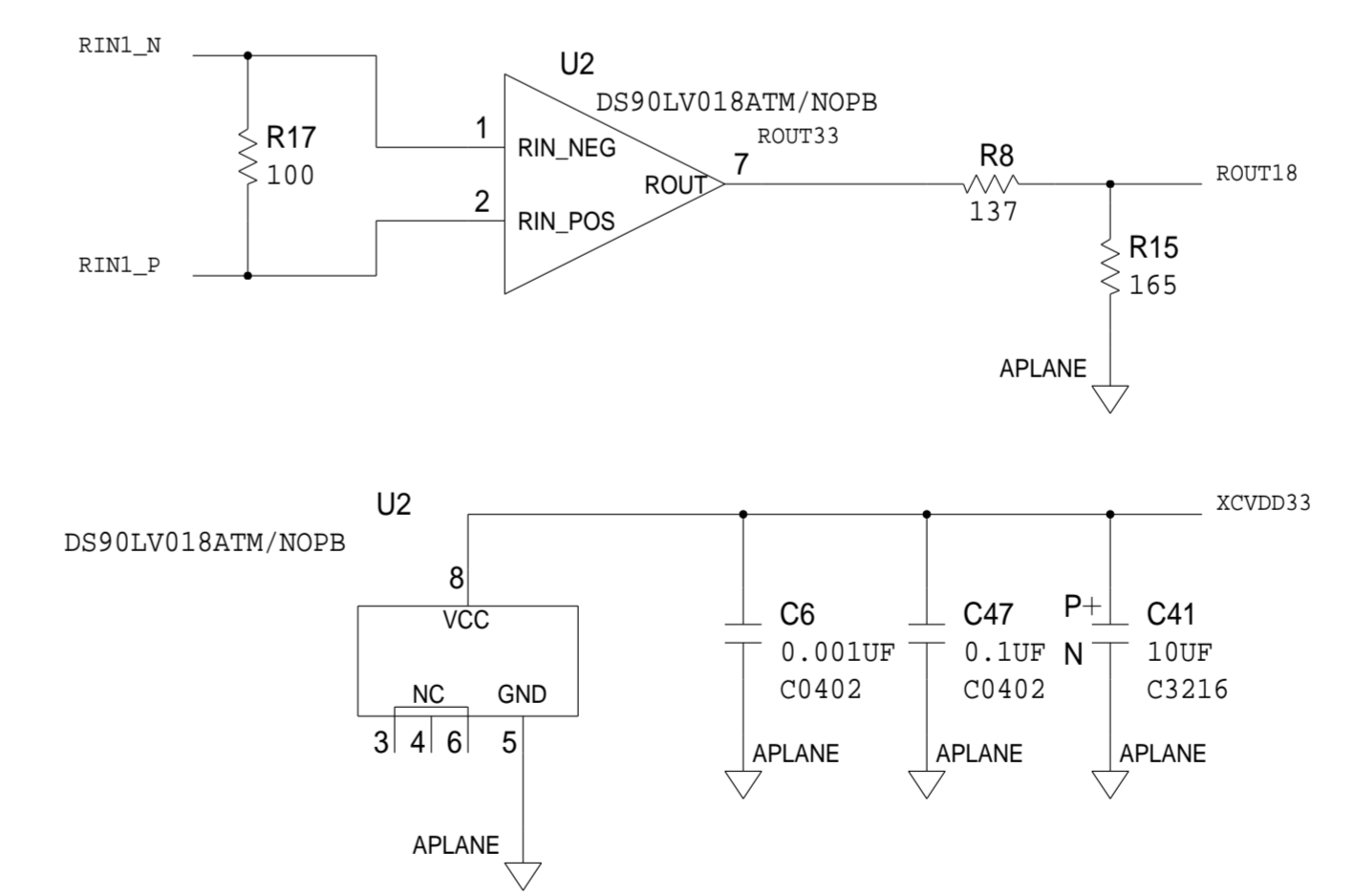
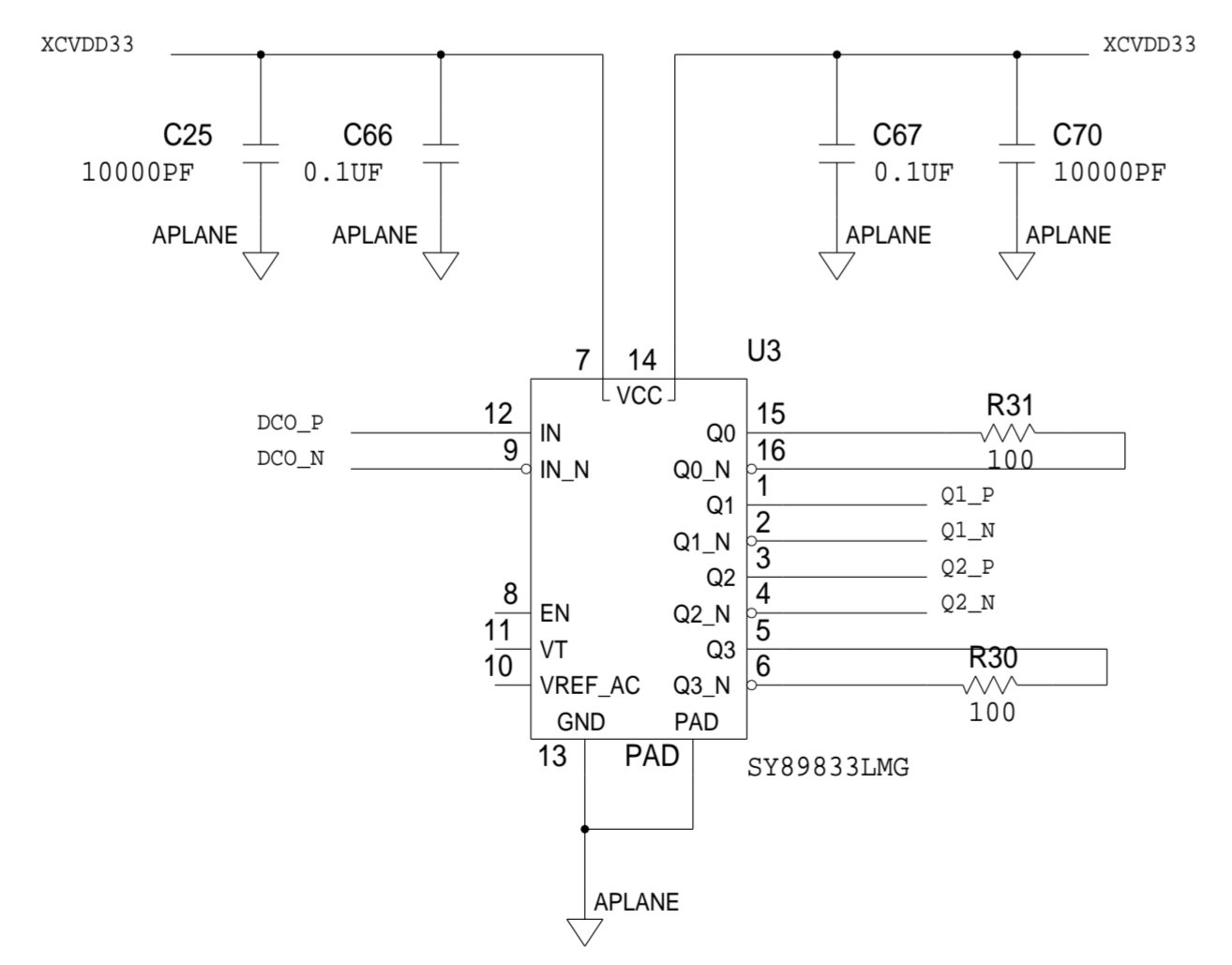
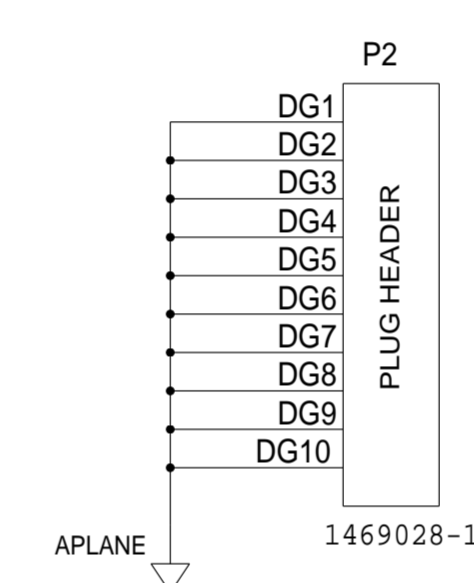
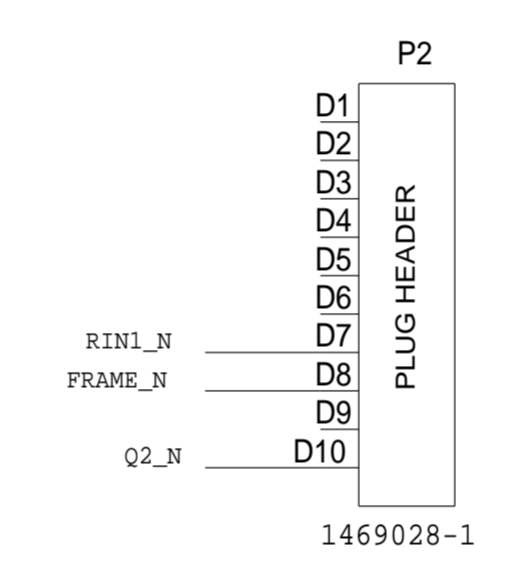
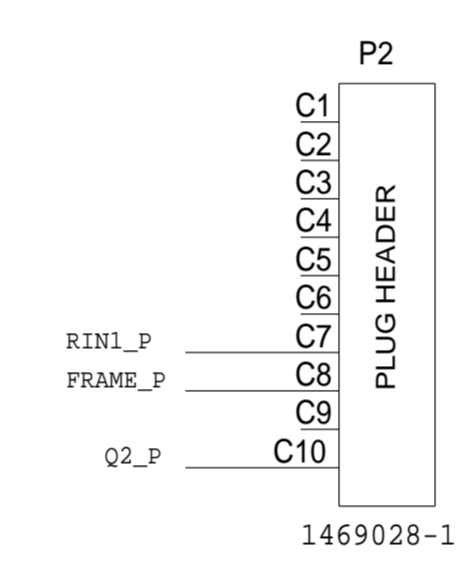
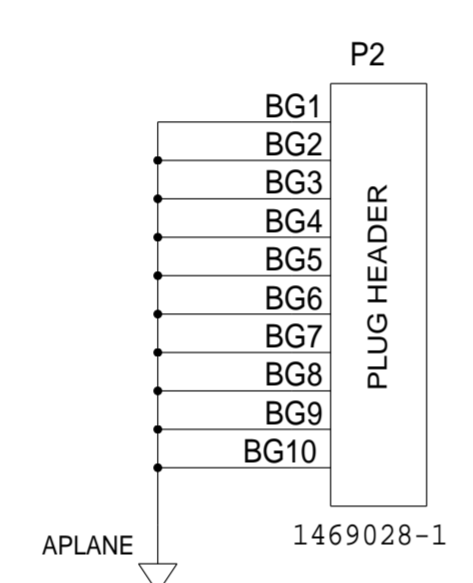
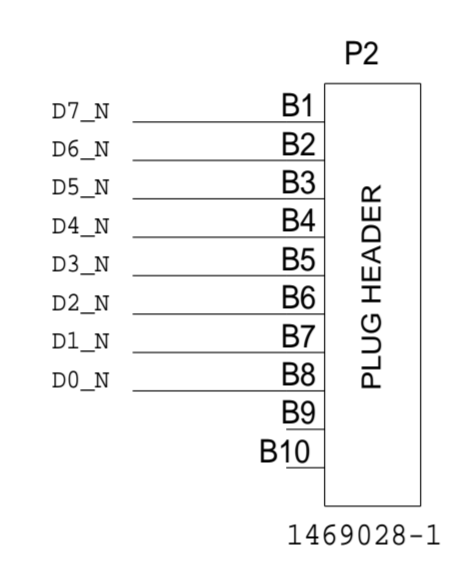
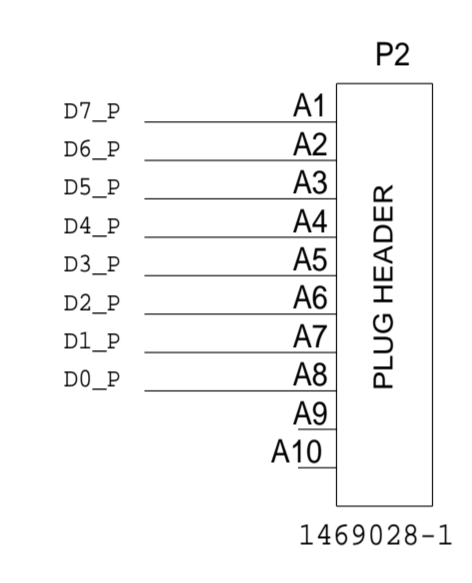
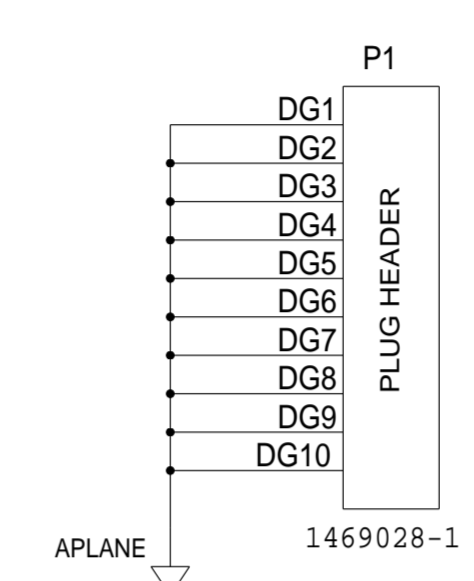
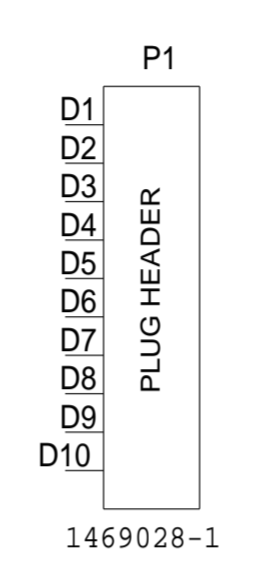
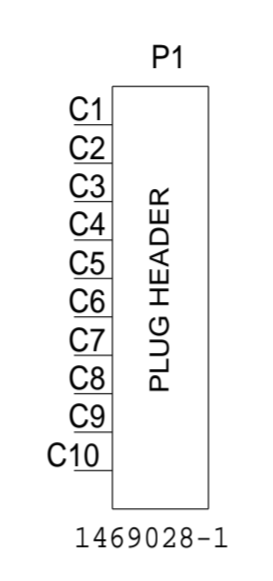
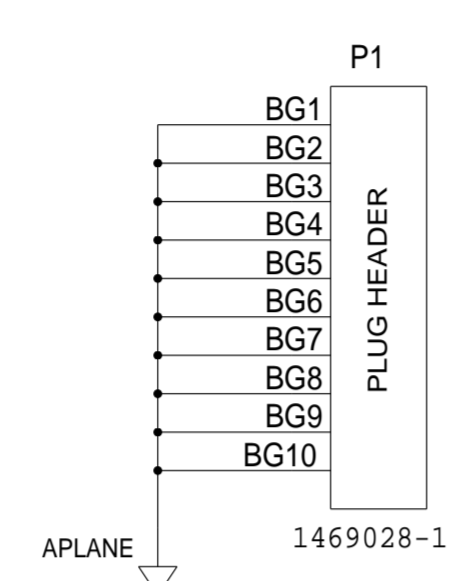
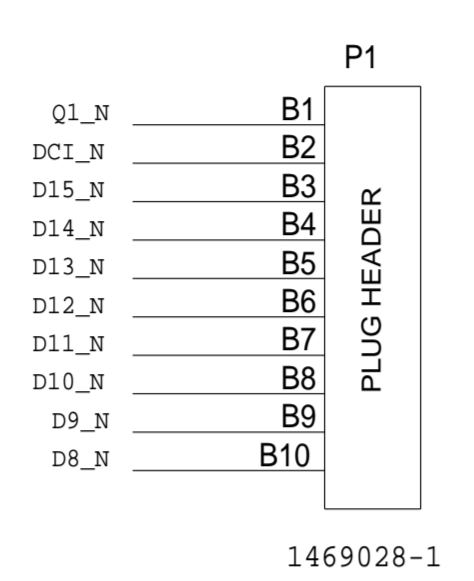
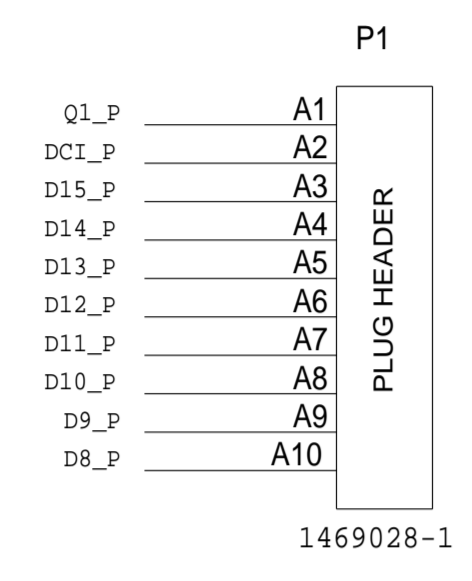
REVISIONS			
REV	DESCRIPTION	DATE	APPROVED



### 3-WIRE SPI VERSION

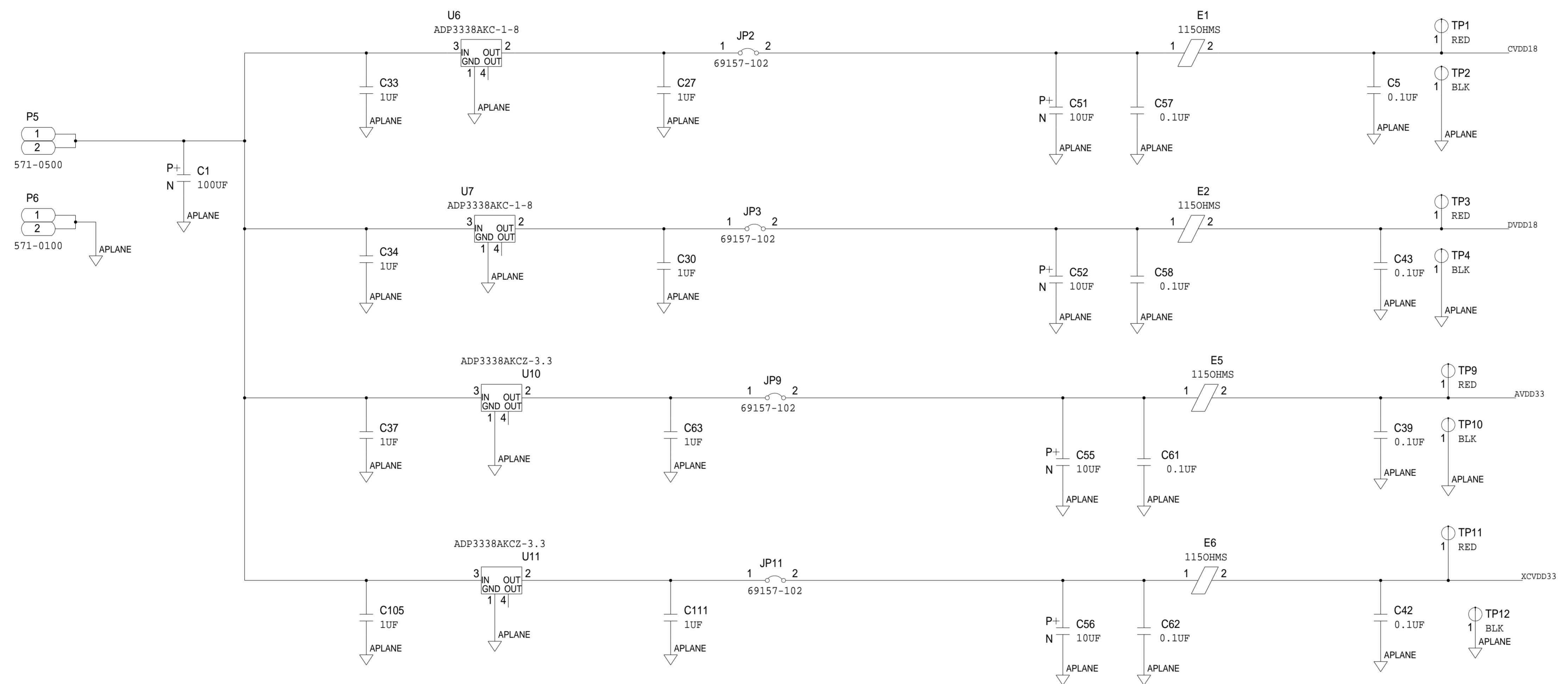
	SCHEMATIC		
	AD9139 EVALUATION BOARD		
	DESIGN VIEW <DESIGN_VIEW>	DRAWING NO. HSC 13048	REV B
	PTD ENGINEER <PTD_ENGINEER>	SIZE D	SCALE <SCALE>
		SHEET 2 OF 6	

REVISIONS			
REV	DESCRIPTION	DATE	APPROVED



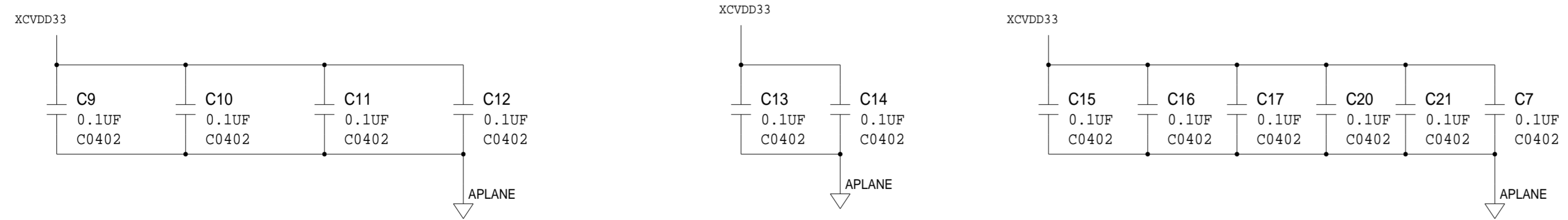
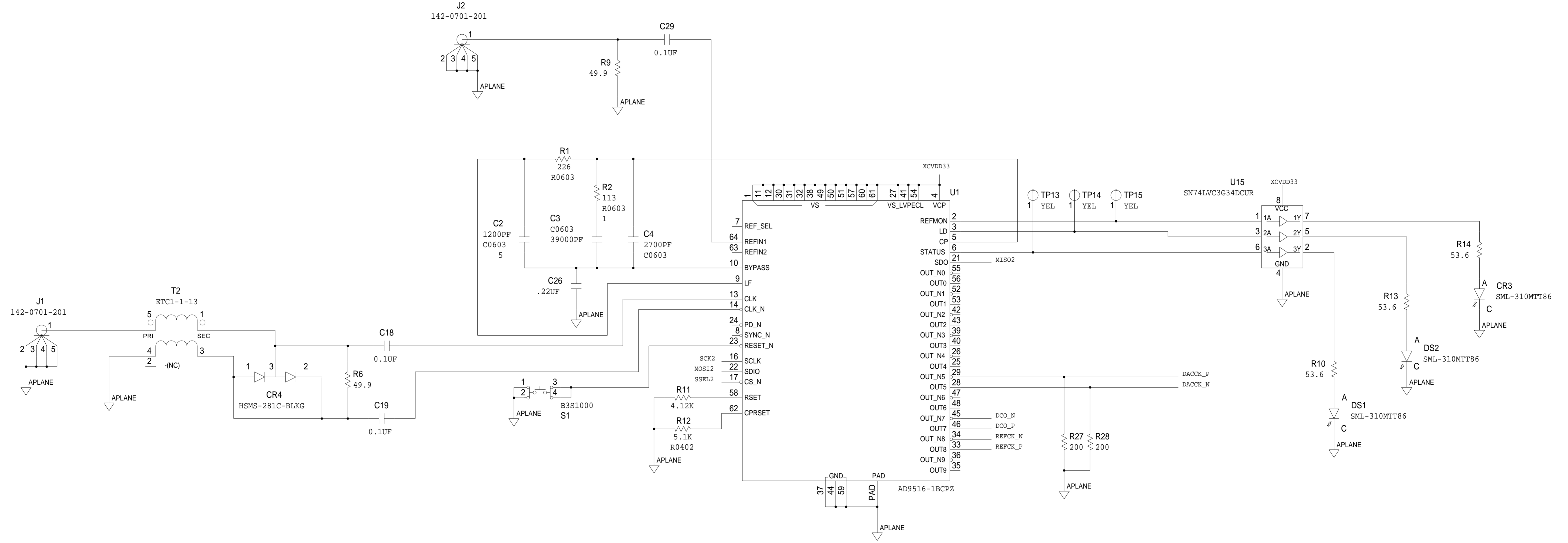
	<b>SCHEMATIC</b>		
	AD9139 EVALUATION BOARD		
	DESIGN VIEW <DESIGN_VIEW>	DRAWING NO. HSC 13048	REV B
	PTD ENGINEER <PTD_ENGINEER>	SIZE D	SCALE <SCALE>
SHEET 3 OF 6			

REVISIONS			
REV	DESCRIPTION	DATE	APPROVED



	<b>SCHEMATIC</b>		
	AD9139 EVALUATION BOARD		
	DESIGN VIEW <DESIGN_VIEW>	DRAWING NO. HSC 13048	REV B
	PTD ENGINEER <PTD_ENGINEER>	SIZE <b>D</b>	SCALE <SCALE>
		SHEET 4 OF 6	

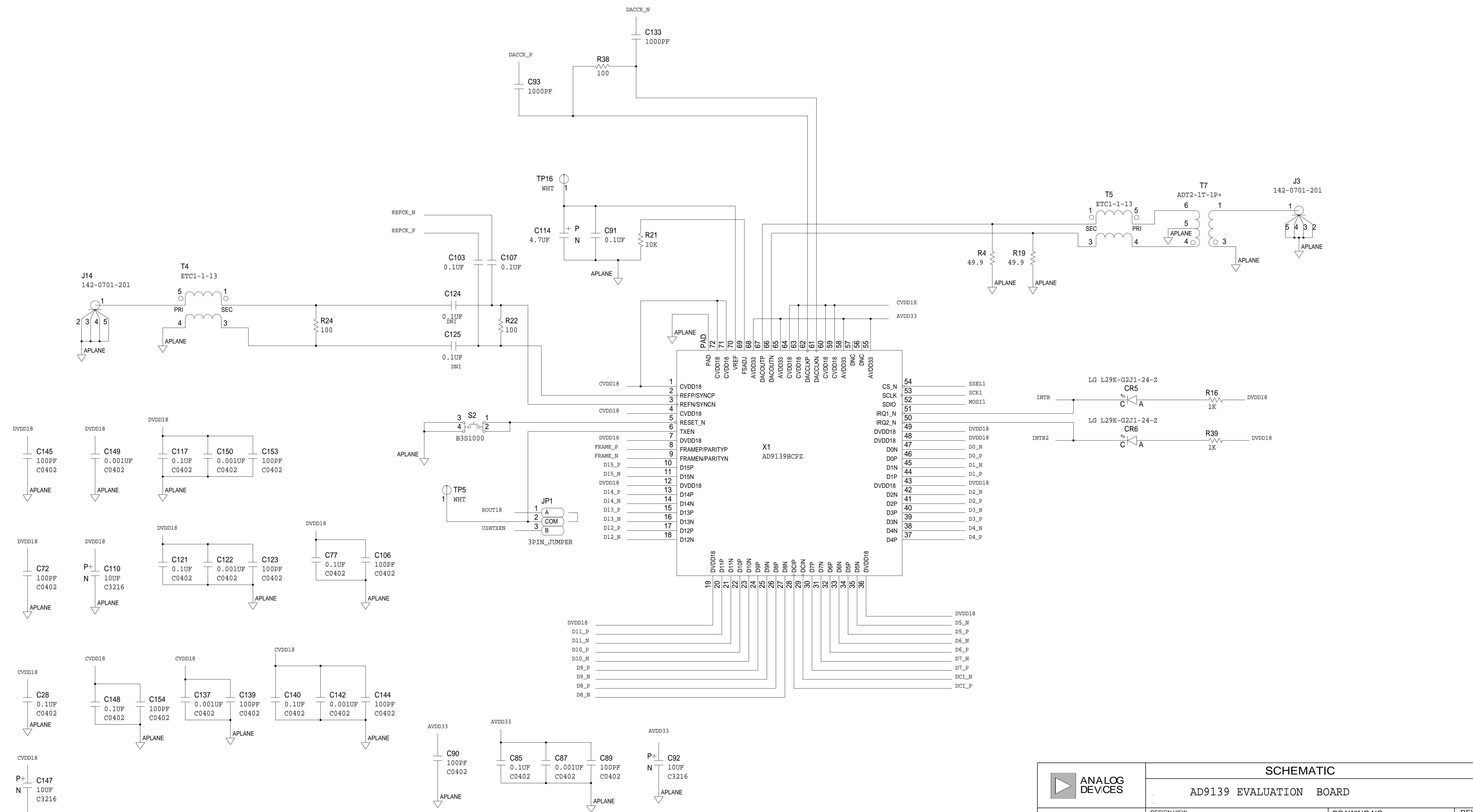
REVISIONS			
REV	DESCRIPTION	DATE	APPROVED



<p>THIS DRAWING IS THE PROPERTY OF ANALOG DEVICES INC. IT IS NOT TO BE REPRODUCED OR COPIED, IN WHOLE OR IN PART, OR USED IN FURNISHING INFORMATION TO OTHERS, OR FOR ANY OTHER PURPOSE DETRIMENTAL TO THE INTERESTS OF ANALOG DEVICES. THE EQUIPMENT SHOWN HEREIN MAY BE PROTECTED BY PATENTS OWNED OR CONTROLLED BY ANALOG DEVICES.</p>	<b>SCHEMATIC</b>		
	<b>AD9139 EVALUATION BOARD</b>		
	DESIGN VIEW <DESIGN_VIEW>	DRAWING NO. HSC 13048	REV B
	PTD ENGINEER <PTD_ENGINEER>	SIZE <b>D</b>	SCALE <SCALE>

SHEET 5 OF 6

REVISIONS			
REV	DESCRIPTION	DATE	APPROVED



	<b>SCHEMATIC</b>		
	AD9139 EVALUATION BOARD		
	DESIGN VIEW <DESIGN_VIEW>	DRAWING NO. HSC 13048	REV B
	PTD ENGINEER <PTD_ENGINEER>	SIZE D	SCALE <SCALE>

SHEET 6 OF 6