

8 7 6 5 4 3 2 1

THIS DRAWING IS THE PROPERTY OF ANALOG DEVICES INC. IT IS NOT TO BE REPRODUCED OR COPIED, IN WHOLE OR IN PART, OR USED IN FURNISHING INFORMATION TO OTHERS, OR FOR ANY OTHER PURPOSE DETRIMENTAL TO THE INTERESTS OF ANALOG DEVICES. THE EQUIPMENT SHOWN HEREON MAY BE PROTECTED BY PATENTS OWNED OR CONTROLLED BY ANALOG DEVICES.

RELAY CONTROL CHART

CONTROL	CODE	DEVICE	FUNCTION	CONNECTOR

JUMPER TABLE		
JP#	ON	OFF
1		
2		
3		
4		
5		

* SEE ASSEMBLY INSTRUCTIONS

REVISIONS			
REV	DESCRIPTION	DATE	APPROVED
A		11-02-2012	J.G.
B	SILK SCREEN UPDATES	14-02-2014	M.V.

14 FEB 14

SCHEMATIC



AD9139 EVAL BRD

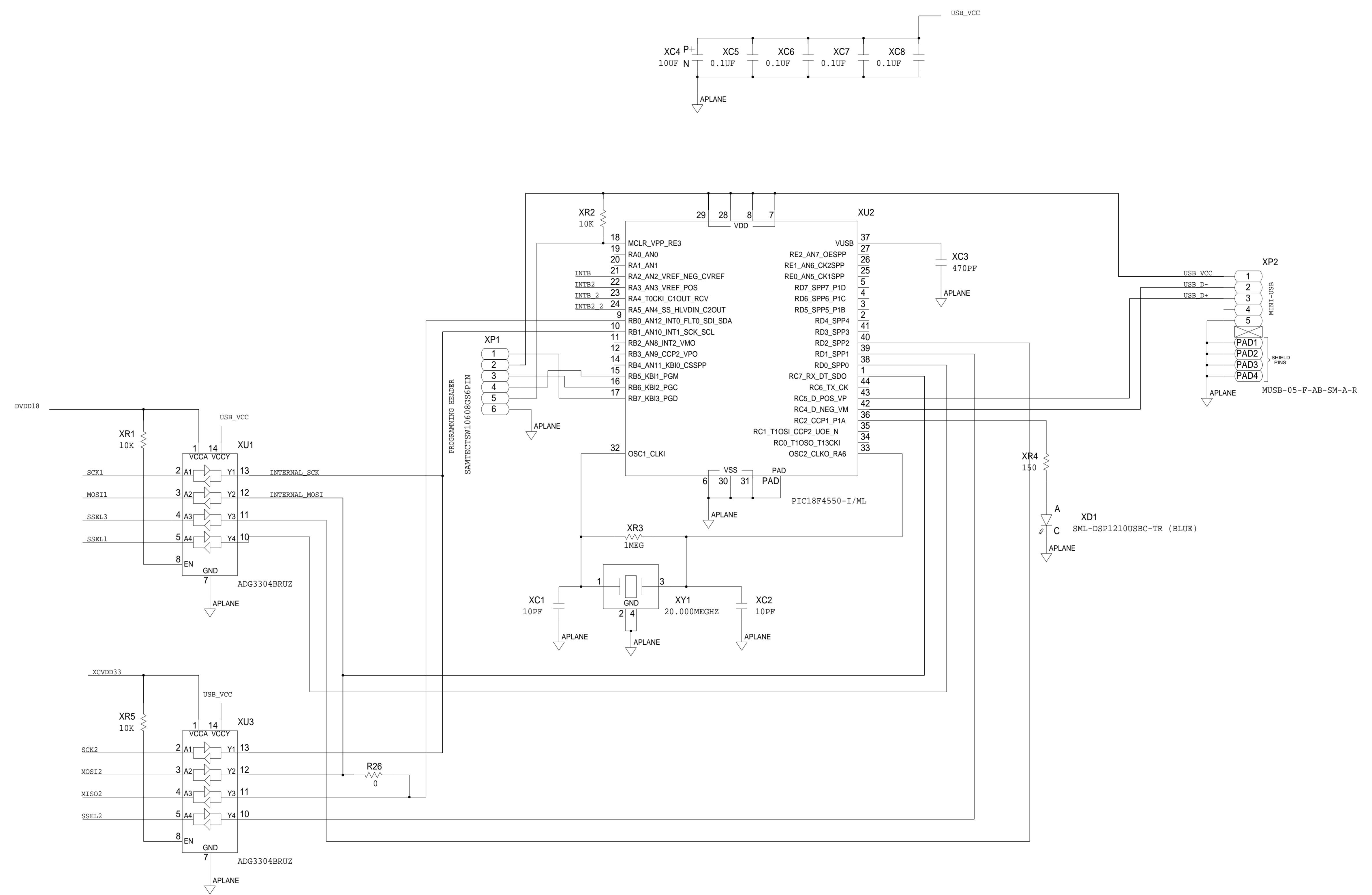
P.O SPEC.	BK/BD SPEC.	SOCKET OEM	OEM PART#	HANDLER

TEMPLATE ENGINEER P ALONGI	DATE 11-02-12	SCHEMATIC		ANALOG DEVICES	
HARDWARE SERVICES -		AD9139 EVAL BRD			
HARDWARE SYSTEMS -					
TEST ENGINEER -					
COMPONENT ENGINEER -					
TEST PROCESS -					
HARDWARE RELEASE -					
DESIGNER -					
PTD ENGINEER <PTD_ENGINEER>					
CHECKER -		MASTER PROJECT TEMPLATE -	TESTER TEMPLATE -	DRAWING NO. HSC 12050	REV. B
UNLESS OTHERWISE SPECIFIED DIMENSIONS ARE IN INCHES		TOLERANCES			SIZE D
DECIMALS X.XX +0.010 X.XXX +0.005	FRACTIONS +1/32	ANGLES +2	SCALE <SCALE>	CODE ID NO. -	SHEET 1 OF 8

8 7 6 5 4 3 2 1



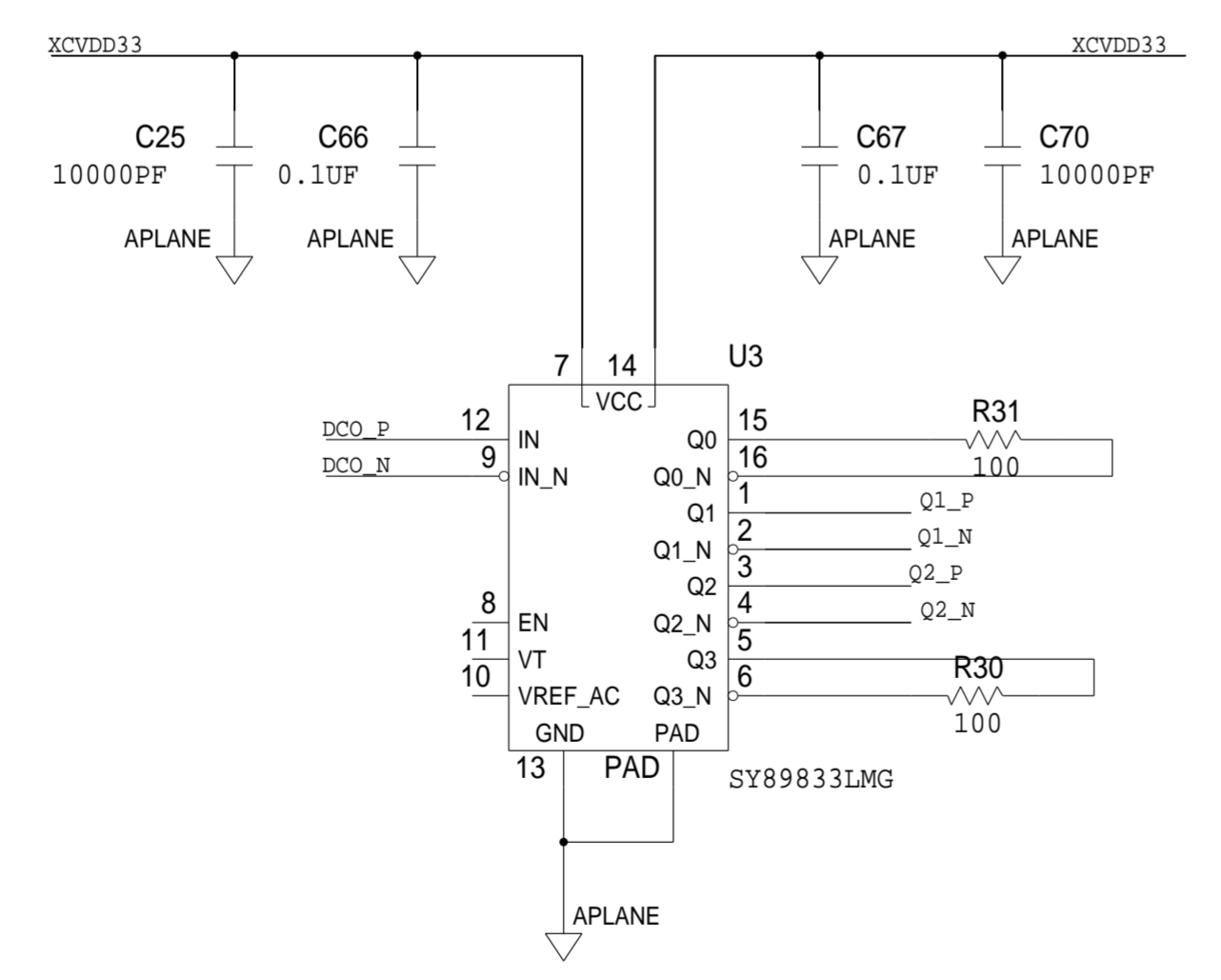
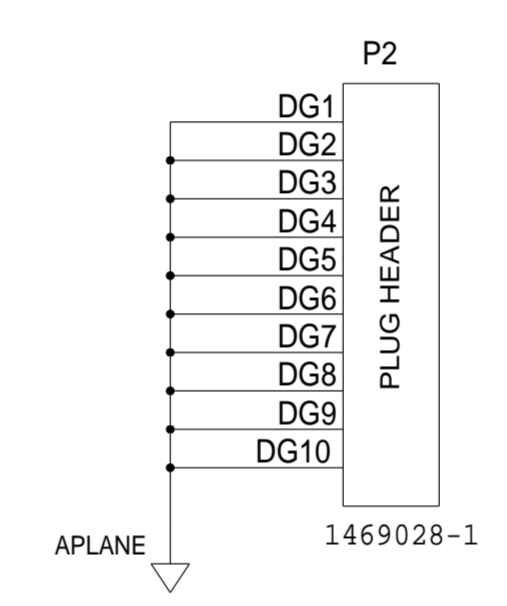
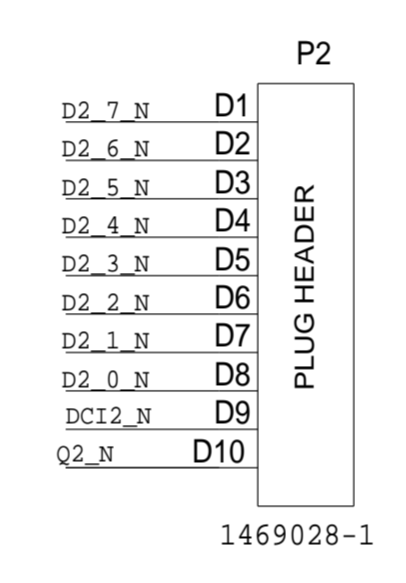
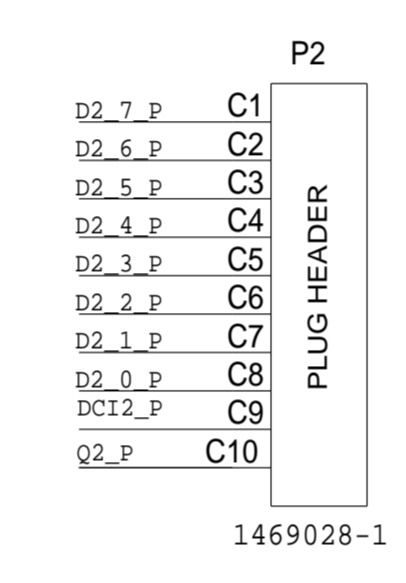
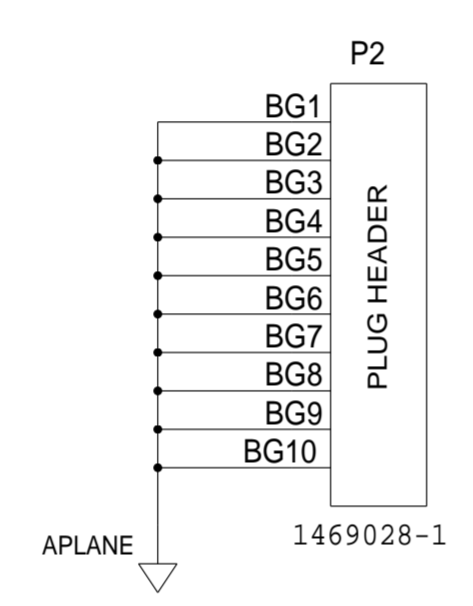
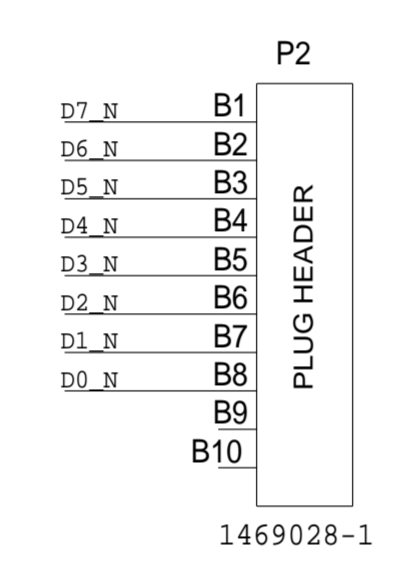
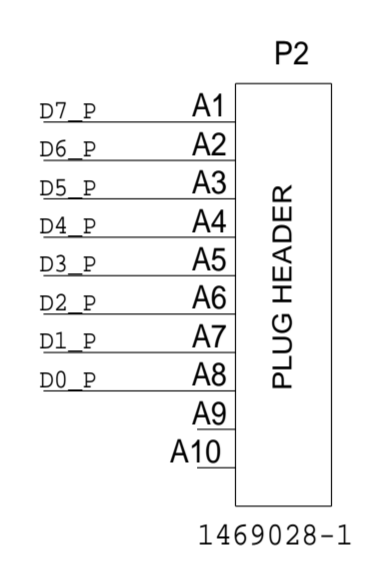
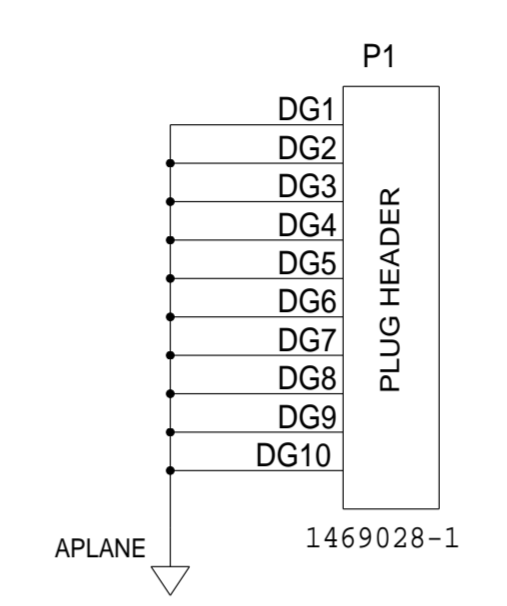
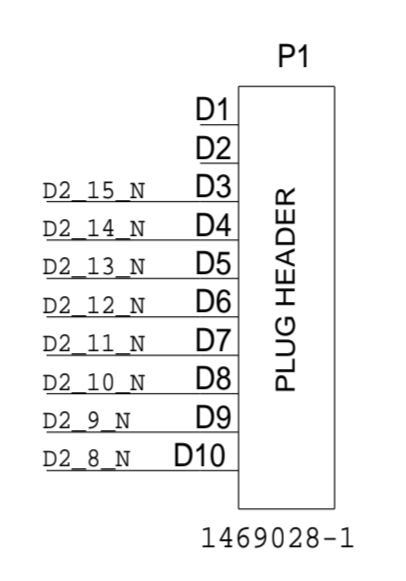
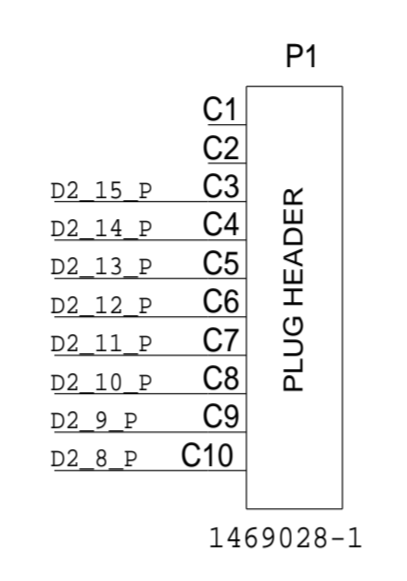
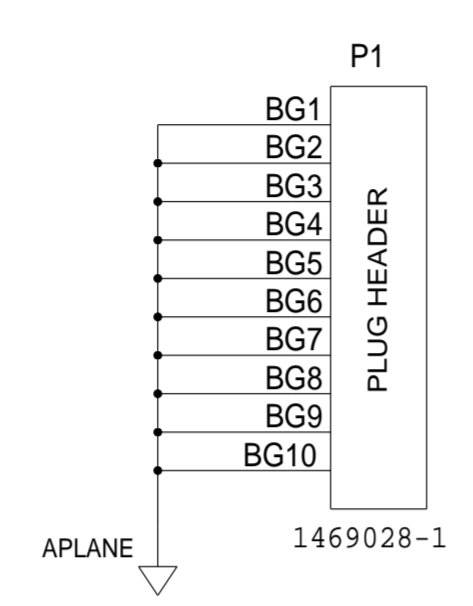
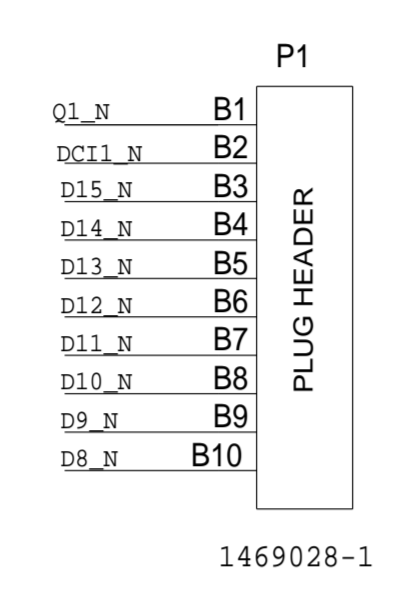
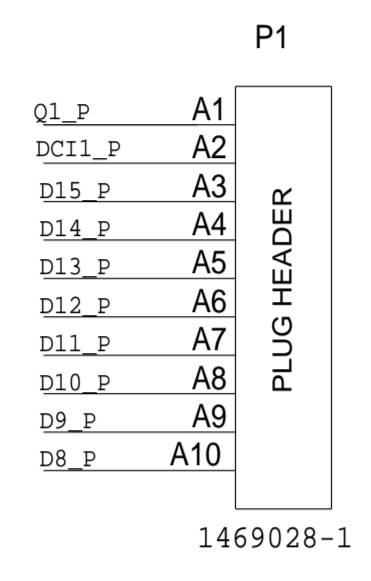
REVISIONS			
REV	DESCRIPTION	DATE	APPROVED



3-WIRE SPI VERSION

	SCHEMATIC		
	AD9139 EVAL BRD		
	DESIGN VIEW <DESIGN_VIEW>	DRAWING NO. HSC 12050	REV B
	PTD ENGINEER <PTD_ENGINEER>	SIZE D	SCALE <SCALE>
		SHEET 2 OF 8	

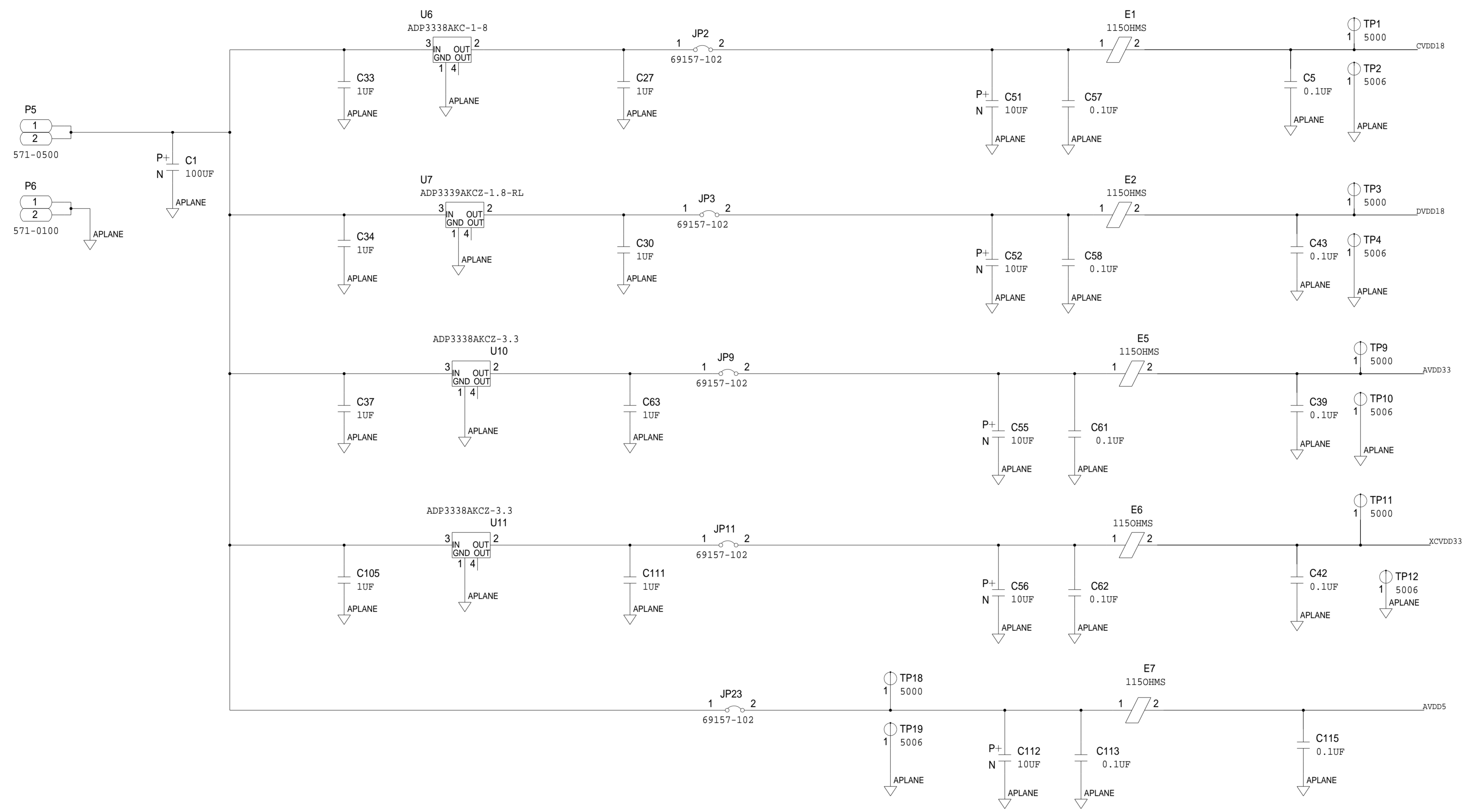
REVISIONS			
REV	DESCRIPTION	DATE	APPROVED



<p>THIS DRAWING IS THE PROPERTY OF ANALOG DEVICES INC. IT IS NOT TO BE REPRODUCED OR COPIED, IN WHOLE OR IN PART, OR USED IN FURNISHING INFORMATION TO OTHERS, OR FOR ANY OTHER PURPOSE DETRIMENTAL TO THE INTERESTS OF ANALOG DEVICES. THE EQUIPMENT SHOWN HEREON MAY BE PROTECTED BY PATENTS OWNED OR CONTROLLED BY ANALOG DEVICES.</p>	SCHEMATIC		
	AD9139 EVAL BRD		
	DESIGN VIEW <DESIGN_VIEW>	DRAWING NO. HSC 12050	REV B
	PTD ENGINEER <PTD_ENGINEER>	SIZE D	SCALE <SCALE>

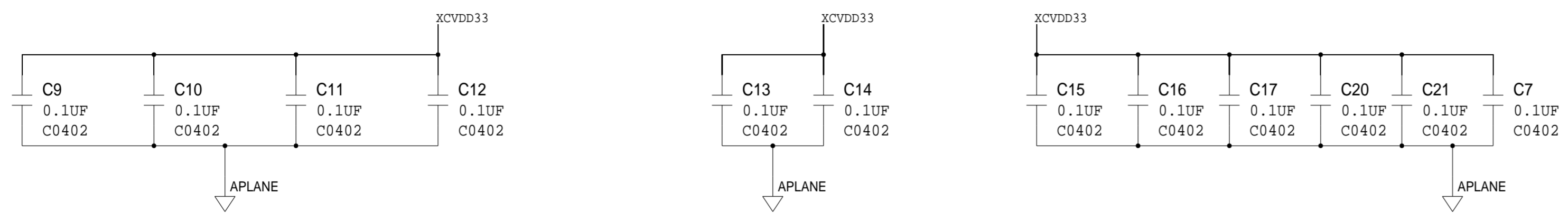
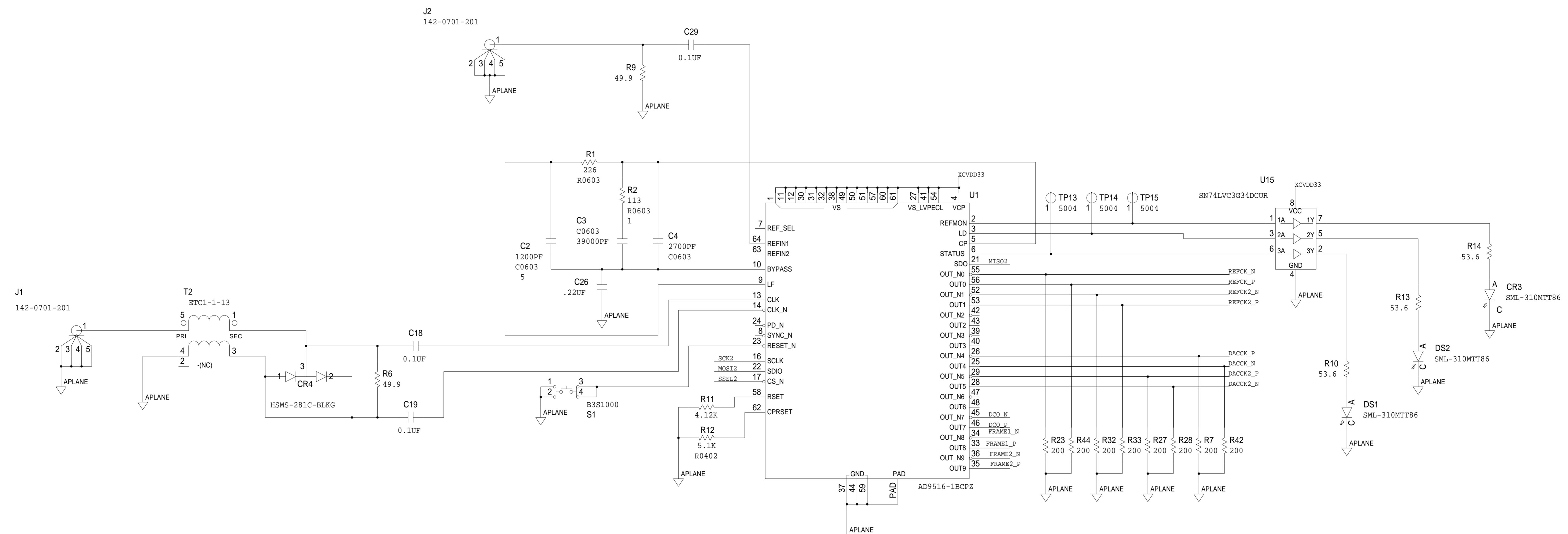
SHEET 3 OF 8

REVISIONS			
REV	DESCRIPTION	DATE	APPROVED



	SCHEMATIC		
	AD9139 EVAL BRD		
	DESIGN VIEW <DESIGN_VIEW>	DRAWING NO. HSC 12050	REV B
	PTD ENGINEER <PTD_ENGINEER>	SIZE D	SCALE <SCALE>
		SHEET 4 OF 8	

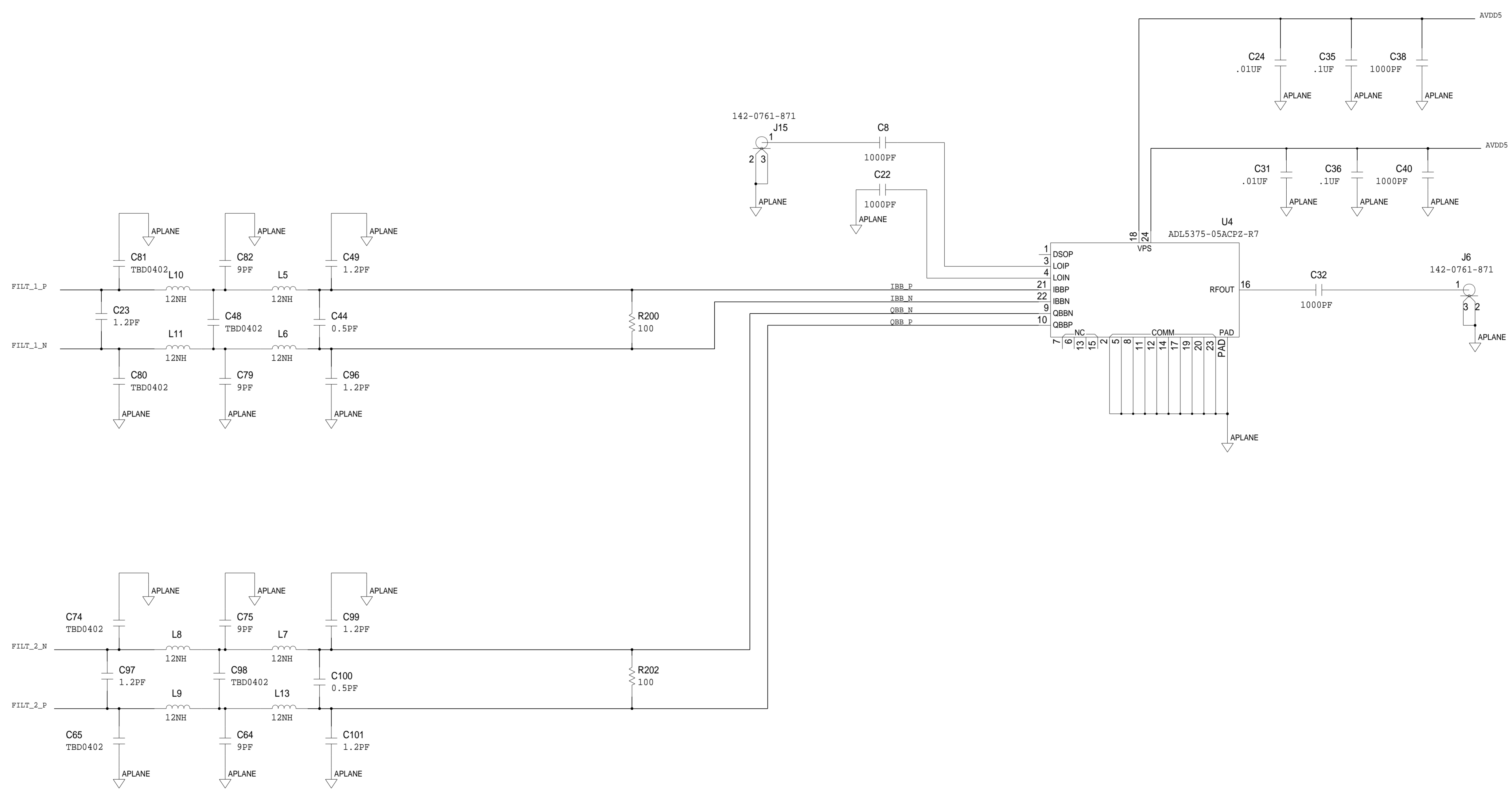
REVISIONS			
REV	DESCRIPTION	DATE	APPROVED



	SCHEMATIC		
	AD9139 EVAL BRD		
	DESIGN VIEW <DESIGN_VIEW>	DRAWING NO. HSC 12050	REV B
	PTD ENGINEER <PTD_ENGINEER>	SIZE D	SCALE <SCALE>
		SHEET 5 OF 8	

THIS DRAWING IS THE PROPERTY OF ANALOG DEVICES INC. IT IS NOT TO BE REPRODUCED OR COPIED IN WHOLE OR IN PART, OR USED IN FURNISHING INFORMATION TO OTHERS, OR FOR ANY OTHER PURPOSE DETRIMENTAL TO THE INTERESTS OF ANALOG DEVICES. THE EQUIPMENT SHOWN HEREIN MAY BE PROTECTED BY PATENTS OWNED OR CONTROLLED BY ANALOG DEVICES.

REVISIONS			
REV	DESCRIPTION	DATE	APPROVED



	SCHEMATIC		
	AD9139 EVAL BRD		
	DESIGN VIEW <DESIGN_VIEW>	DRAWING NO. HSC 12050	REV B
	PTD ENGINEER <PTD_ENGINEER>	SIZE D	SCALE <SCALE>
		SHEET 6 OF 8	

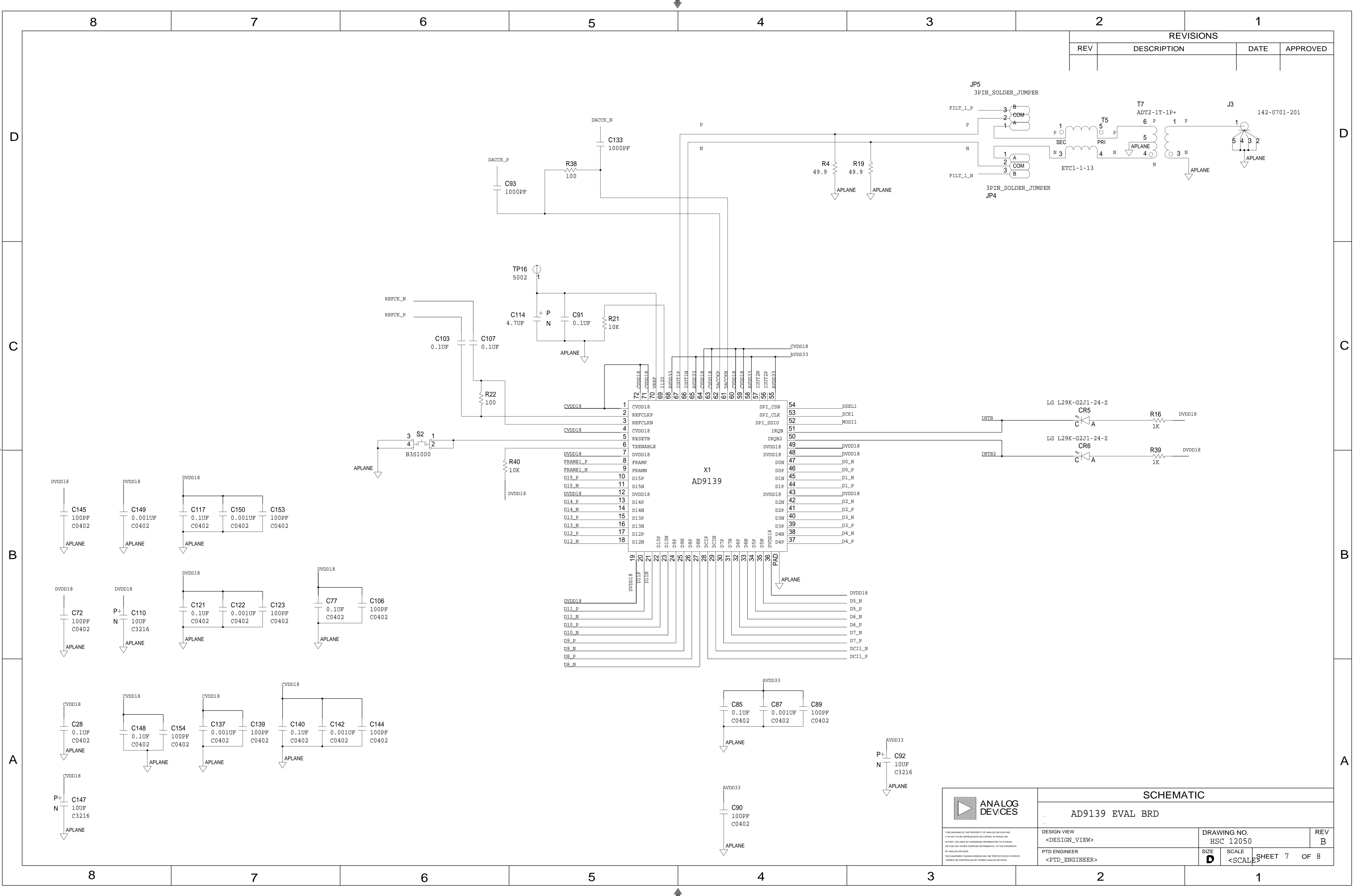
8 7 6 5 4 3 2 1

8 7 6 5 4 3 2 1

D
C
B
A

D
C
B
A

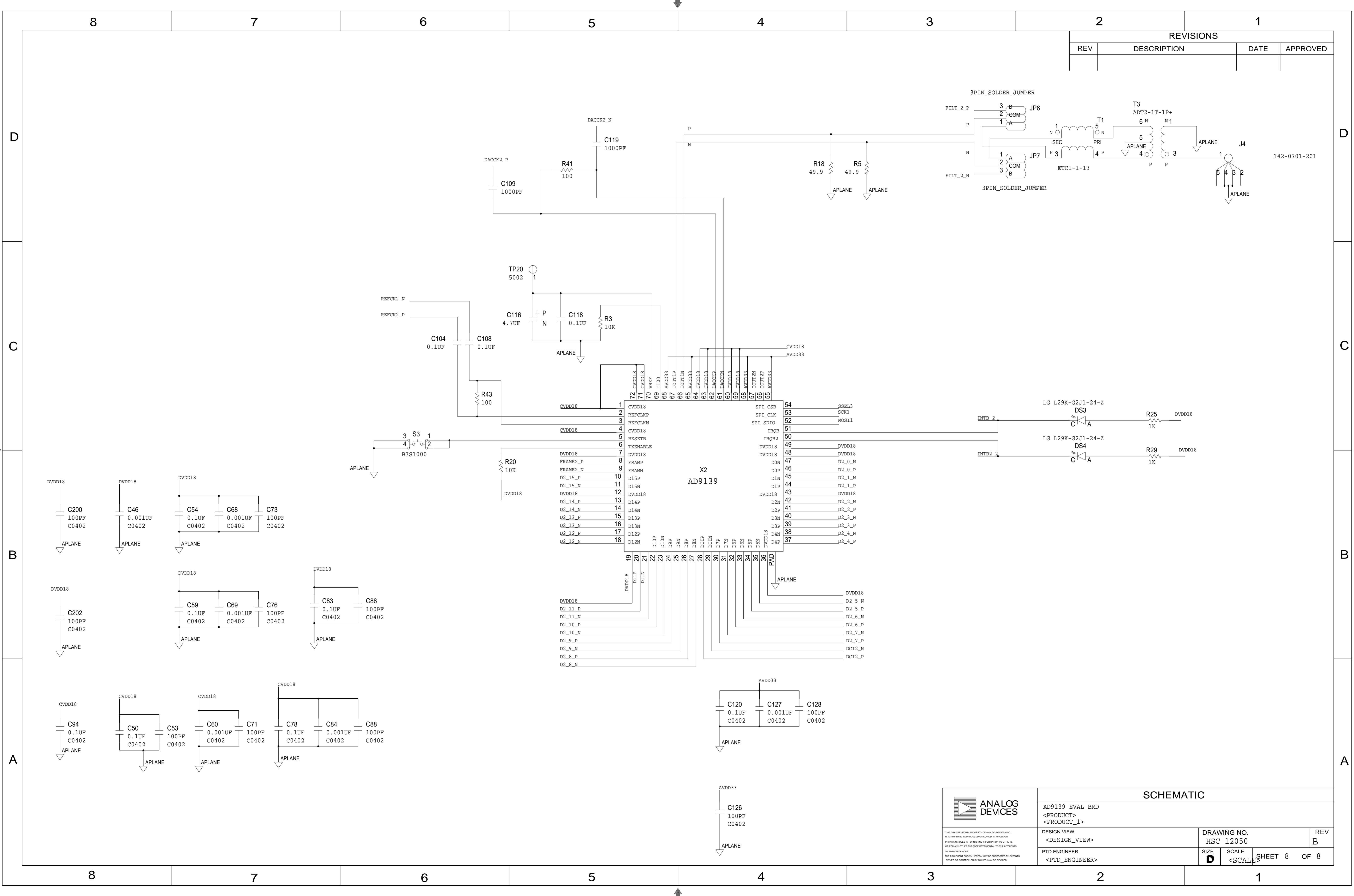
REVISIONS			
REV	DESCRIPTION	DATE	APPROVED



SCHEMATIC			
AD9139 EVAL BRD			
DESIGN VIEW <DESIGN_VIEW>	DRAWING NO. HSC 12050	REV B	
PTD ENGINEER <PTD_ENGINEER>	SIZE D	SCALE <SCALE>	SHEET 7 OF 8

ANALOG DEVICES
THIS DRAWING IS THE PROPERTY OF ANALOG DEVICES INC. IT IS NOT TO BE REPRODUCED OR COPIED, IN WHOLE OR IN PART, OR USED IN FURNISHING INFORMATION TO OTHERS, OR FOR ANY OTHER PURPOSE DETRIMENTAL TO THE INTERESTS OF ANALOG DEVICES. THE EQUIPMENT SHOWN HEREIN MAY BE PROTECTED BY PATENTS OWNED OR CONTROLLED BY ANALOG DEVICES.

REVISIONS			
REV	DESCRIPTION	DATE	APPROVED



142-0701-201

	SCHEMATIC		
	AD9139 EVAL BRD		
	<PRODUCT>		
	<PRODUCT_1>		
DESIGN VIEW	DRAWING NO.	REV	
<DESIGN_VIEW>	HSC 12050	B	
PTD ENGINEER	SIZE	SCALE	
<PTD_ENGINEER>	D	<SCALE>	
SHEET 8		OF 8	