

THIS DRAWING IS THE PROPERTY OF ANALOG DEVICES INC. IT IS NOT TO BE REPRODUCED OR COPIED, IN WHOLE OR IN PART, OR USED IN FURNISHING INFORMATION TO OTHERS, OR FOR ANY OTHER PURPOSE DETRIMENTAL TO THE INTERESTS OF ANALOG DEVICES. THE EQUIPMENT SHOWN HEREON MAY BE PROTECTED BY PATENTS OWNED OR CONTROLLED BY ANALOG DEVICES.

RELAY CONTROL CHART

CONTROL	CODE	DEVICE	FUNCTION	CONNECTOR

JUMPER TABLE

JP#	ON	OFF
1		
2		
3		
4		
5		

* SEE ASSEMBLY INSTRUCTIONS

REVISIONS

REV	DESCRIPTION	DATE	APPROVED
A	INITIAL RELEASE	23MAY20	S CABATAN.
B	ECR-099831	15DEC20	S CABATAN.

SCHEMATIC



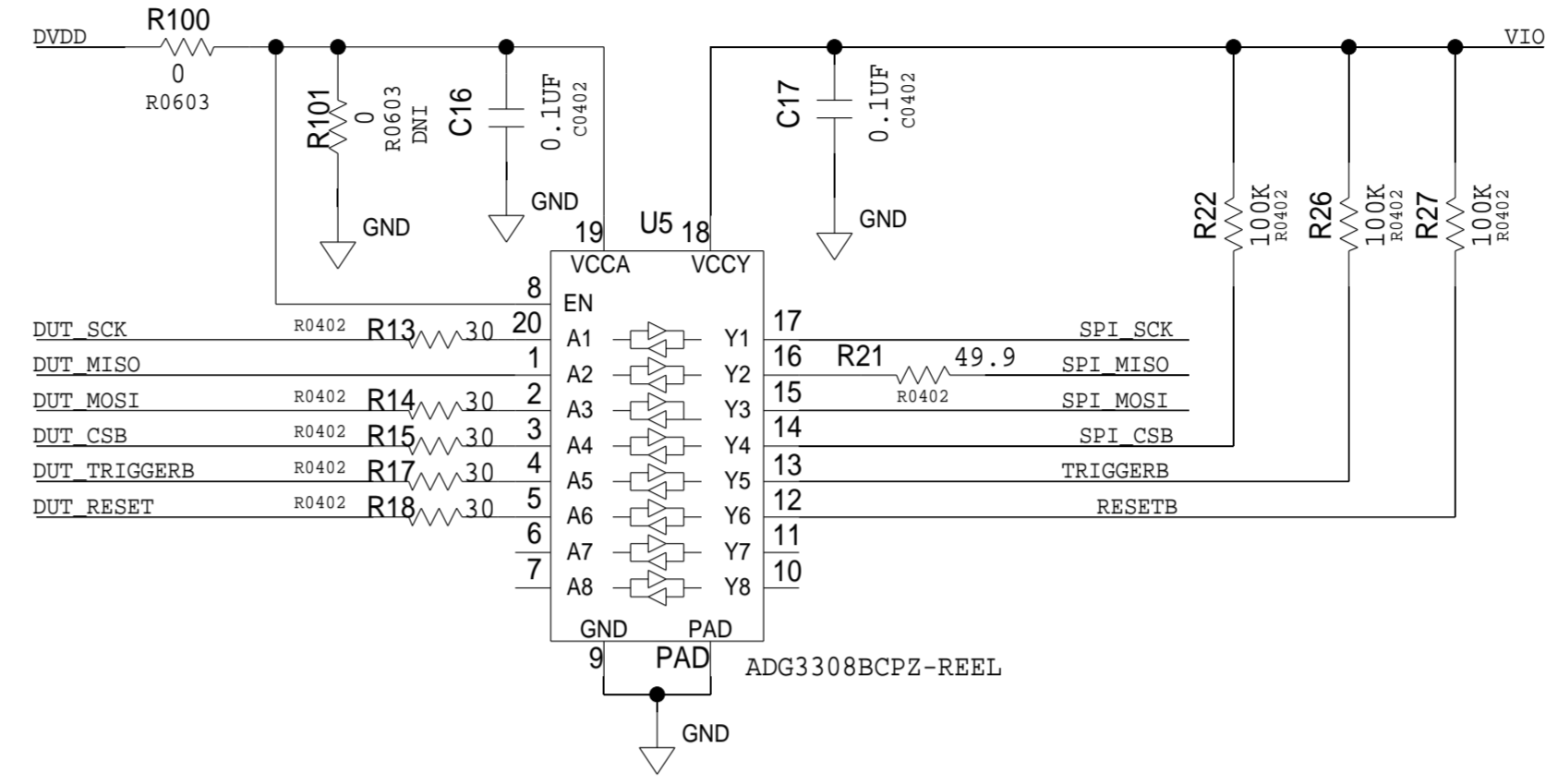
HW TYPE : Customer Evaluation Z
Product(s) : AD9106-ARDZ-EBZ
: N/A
PACKAGE : LeadCount-lead BodySize PackageType-family
: Pitch-pitch StyleVendor Style

<User Define>
<User Define>
<User Define>

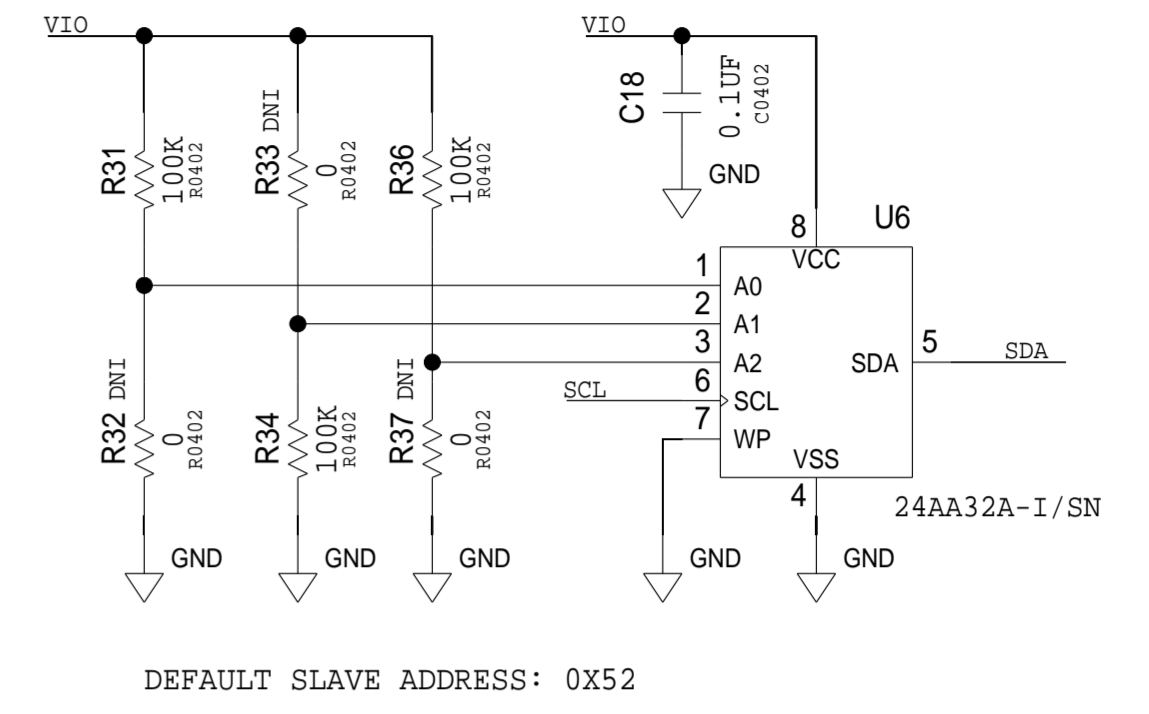
MASTER PROJECT TEMPLATE TBD	TESTER TEMPLATE no_template	DRAWING NO. 02_064200	REV. B
TOLERANCES		SIZE D	SCALE 1:1
DECIMALS X.XX +0.010 X.XXX +0.005	FRACTIONS +1/32	ANGLES +2	CODE ID NO. CodeID
		SHEET 1	OF 4

REVISIONS			
REV	DESCRIPTION	DATE	APPROVED

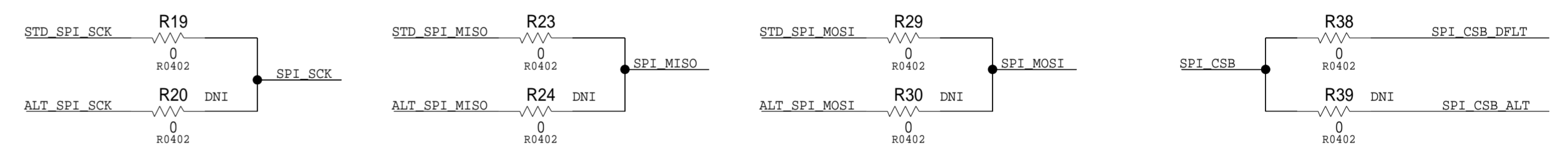
LEVEL TRANSLATION



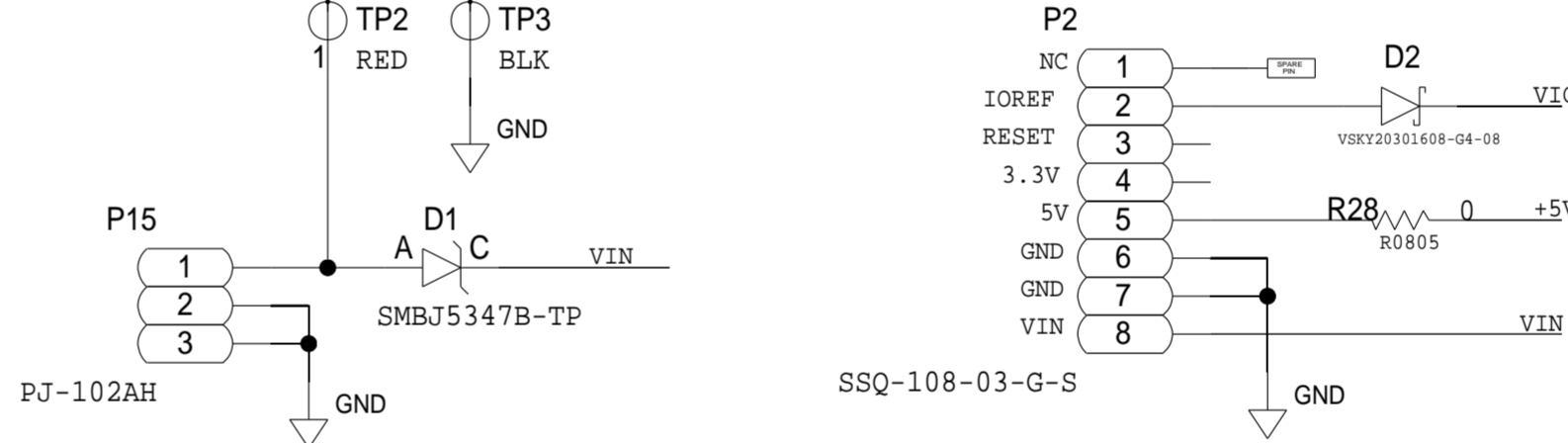
EEPROM



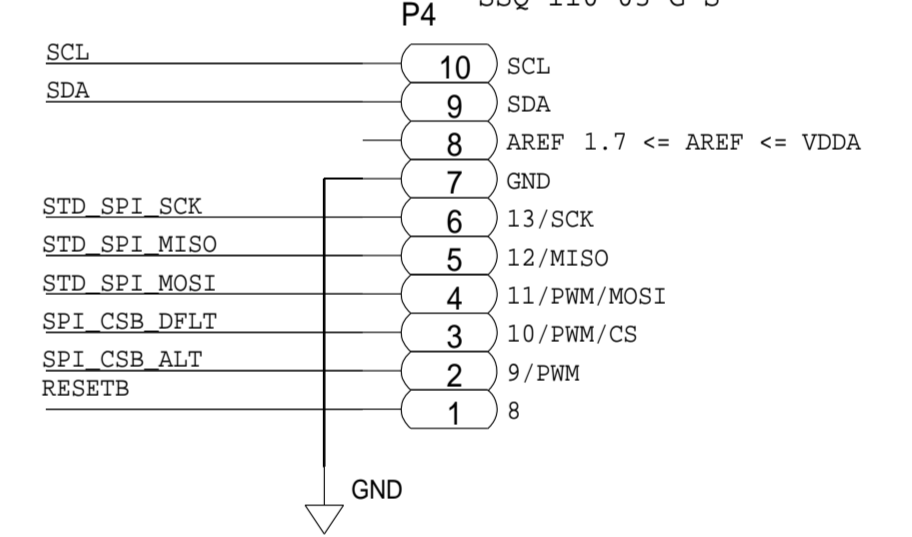
ARDUINO CONNECTOR



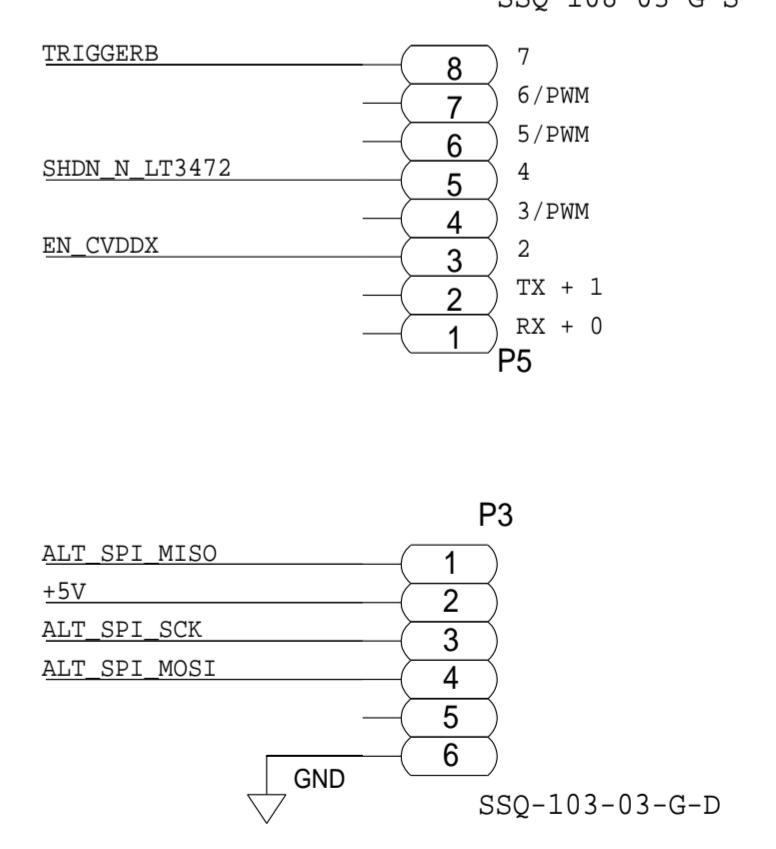
POWER



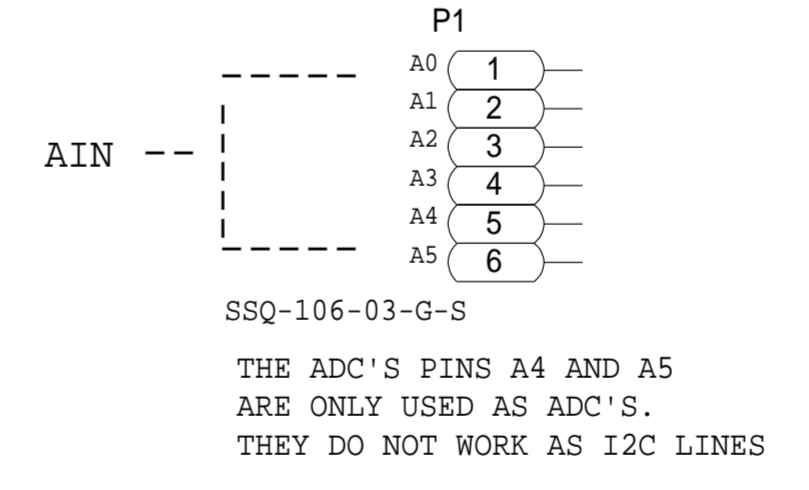
DIGI1



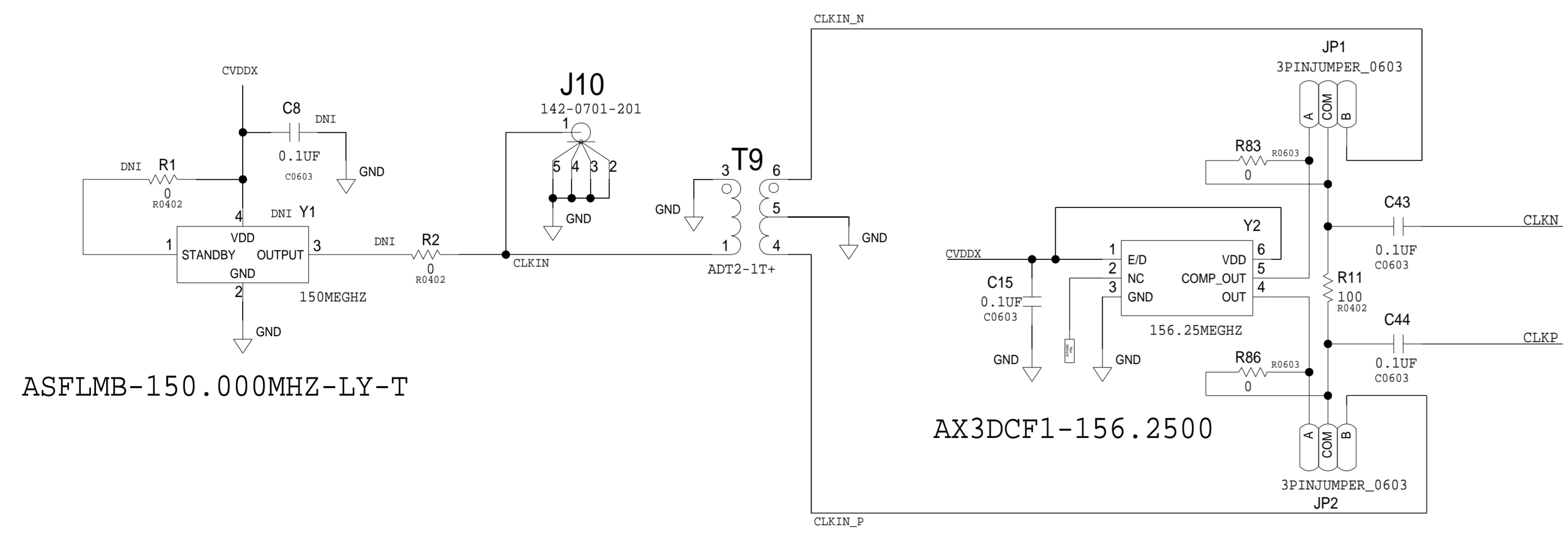
DIGI0



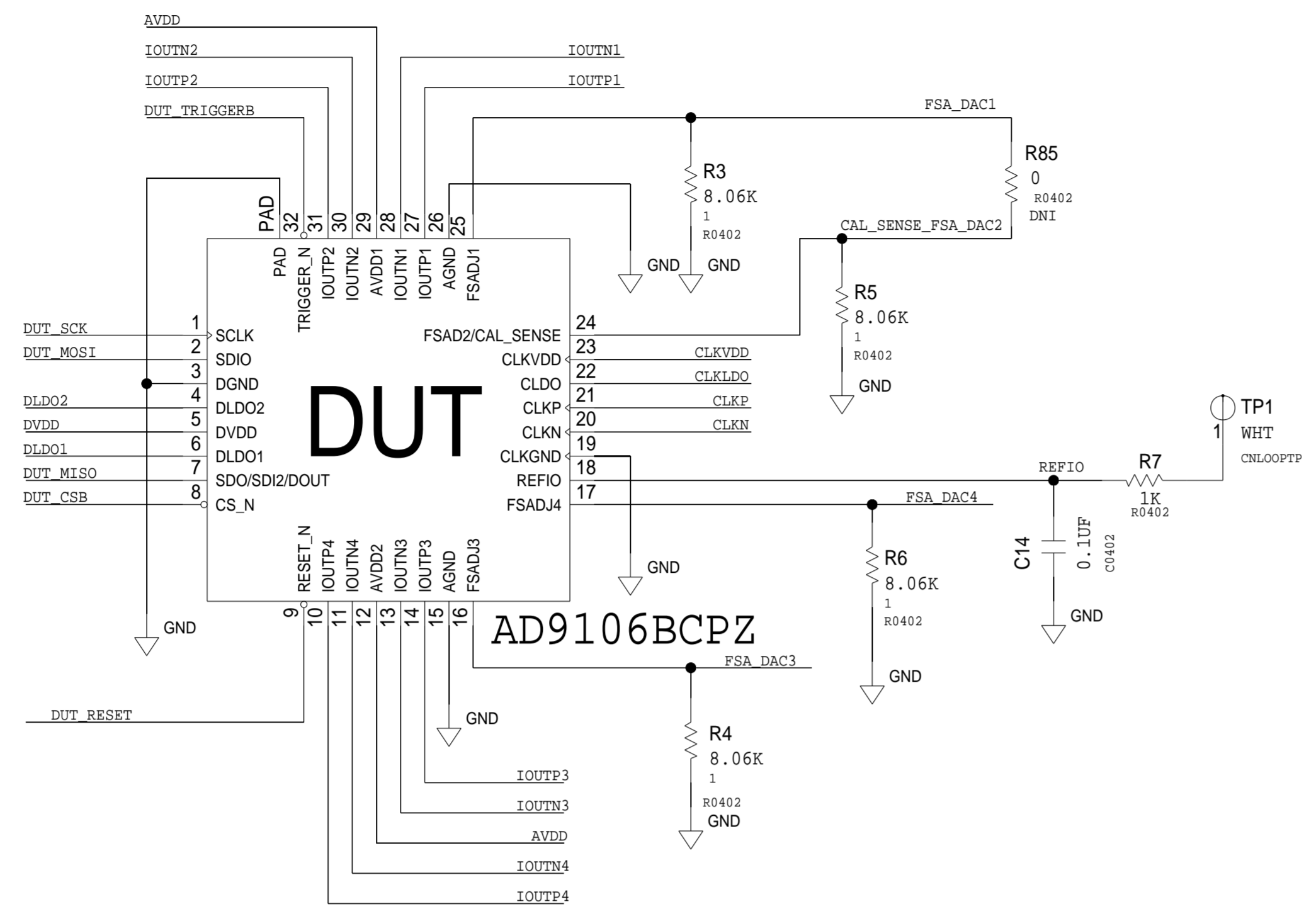
ANALOG



EXT CLK INPUT / ON-BOARD OSCILLATOR

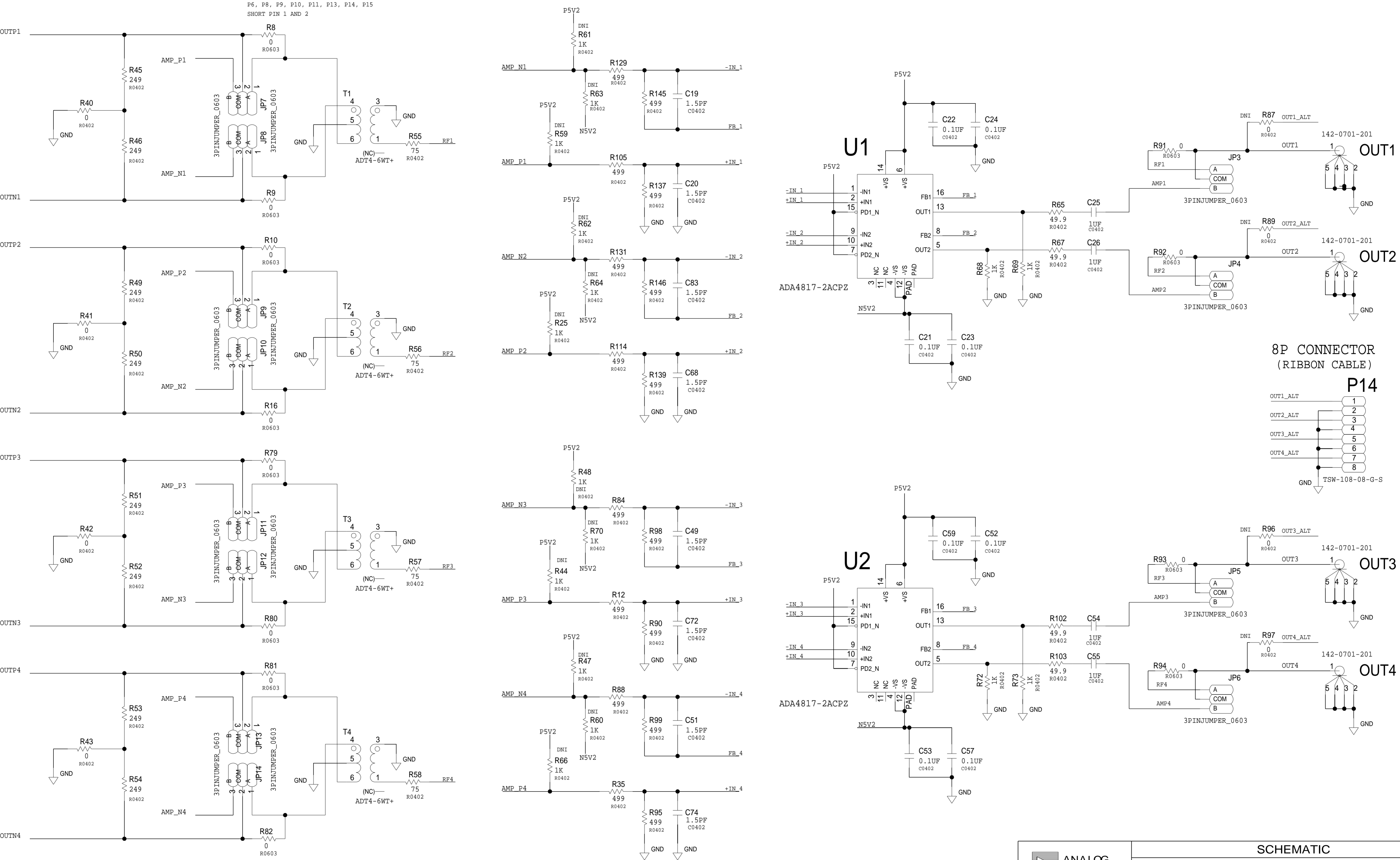


DUT



	SCHEMATIC		
	HW TYPE : Customer Evaluation Z Product(s) : AD9106-ARDZ-EBZ : N/A		
	DESIGN VIEW <DESIGN_VIEW>	DRAWING NO. 02_064200	REV B
	PTD ENGINEER S CABATAN	SIZE D SCALE 1:1	SHEET 2 OF 4

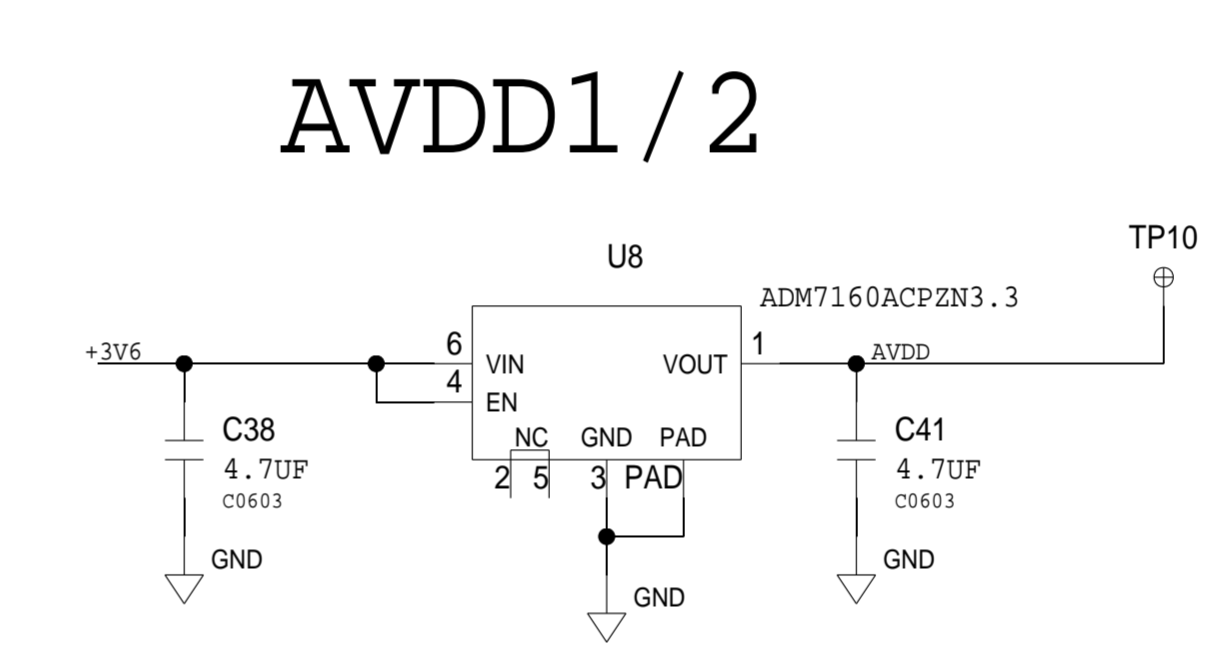
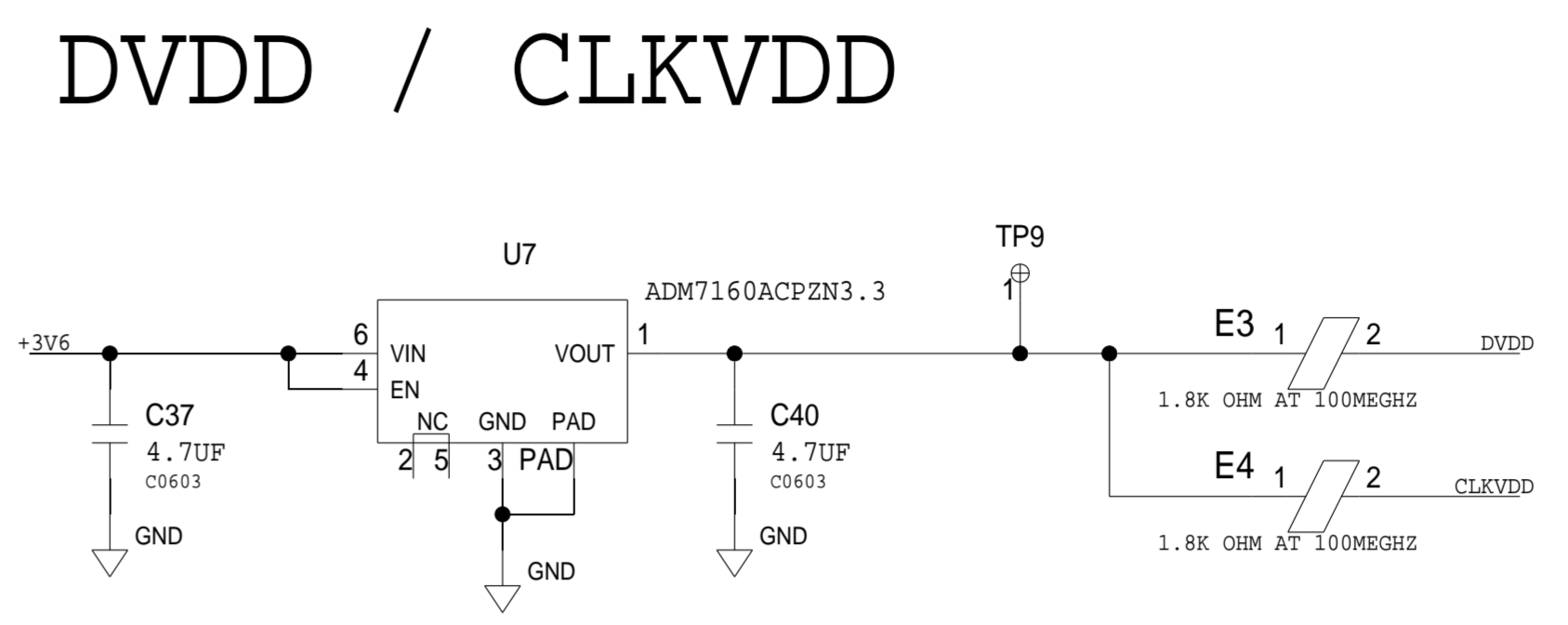
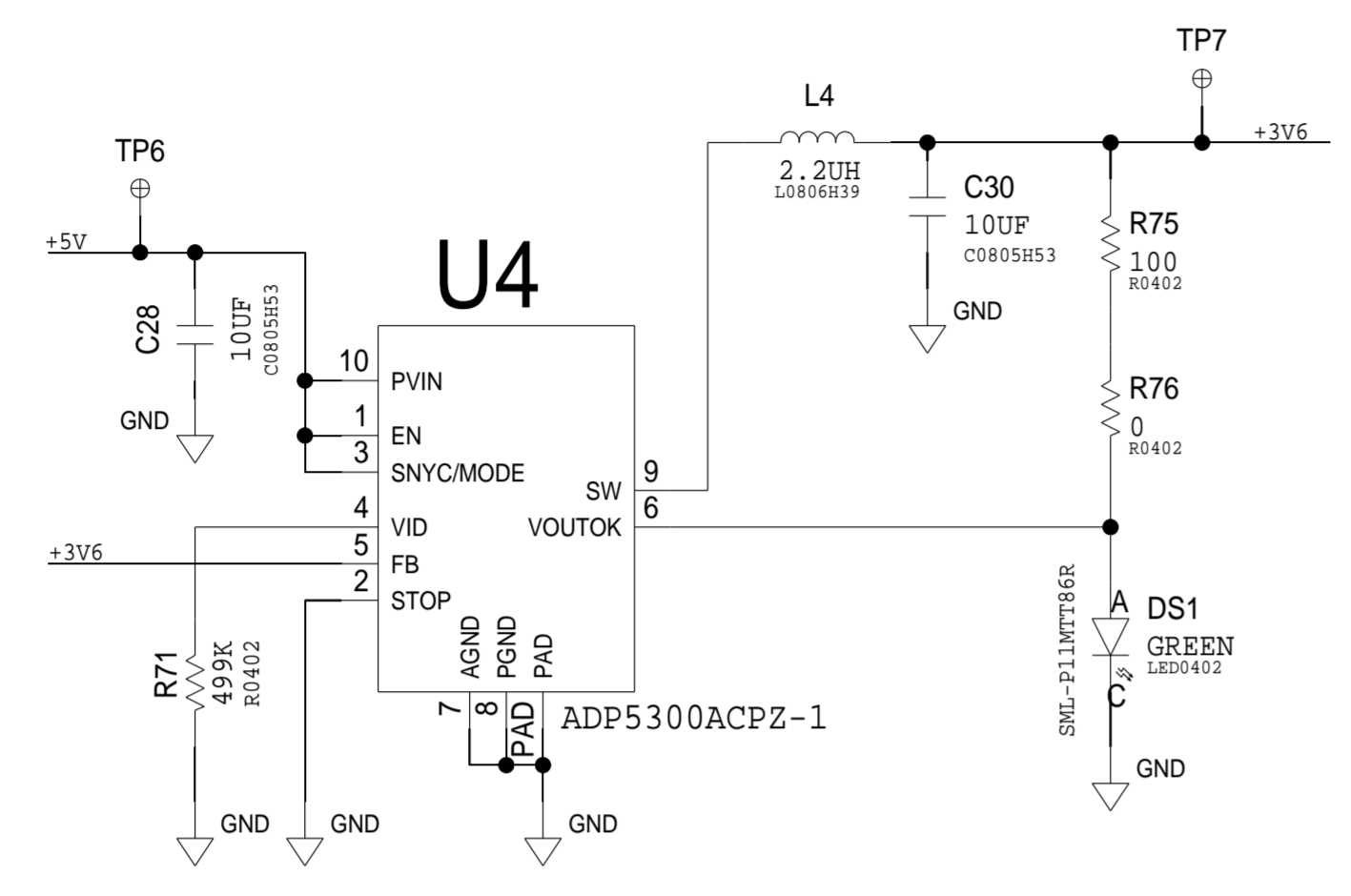
OUTPUT STAGE



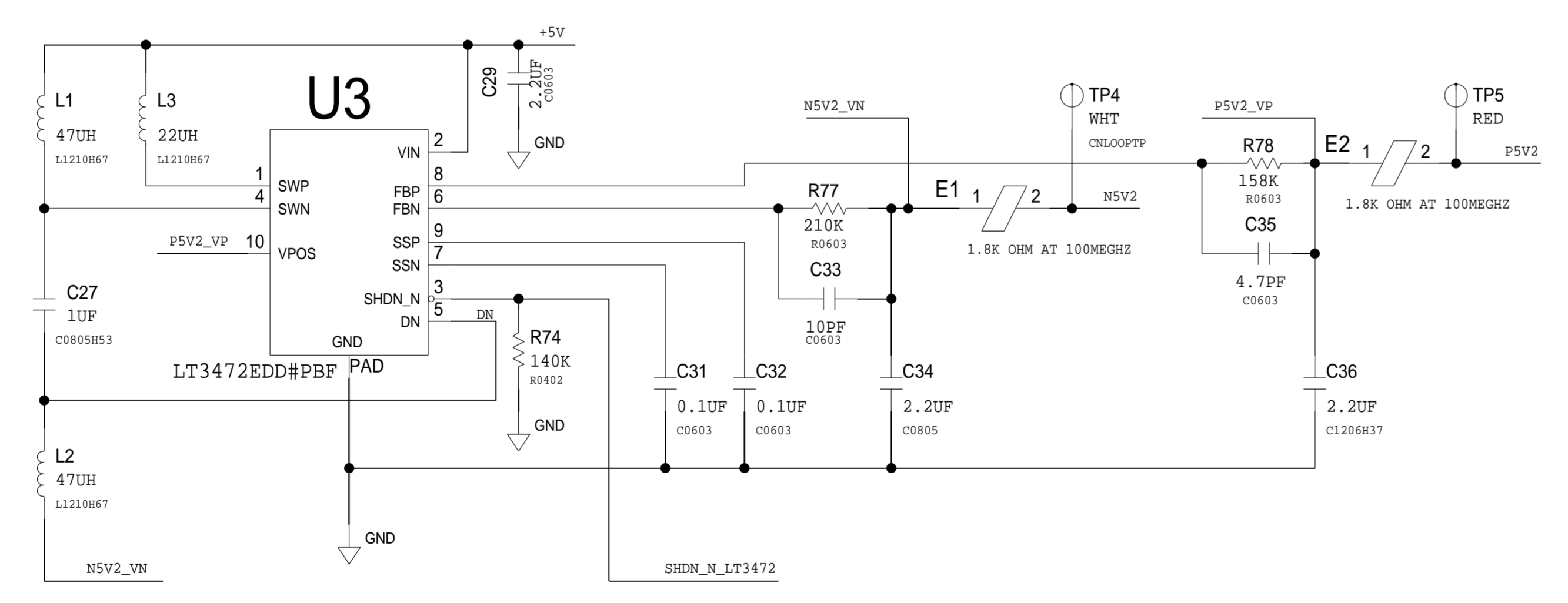
REVISIONS			
REV	DESCRIPTION	DATE	APPROVED

SCHEMATIC			
		HW TYPE : Customer Evaluation Z Product(s) : AD9106-ARDZ-EBZ : N/A	
DESIGN VIEW <DESIGN_VIEW>		DRAWING NO. 02_064200	
PTD ENGINEER S CABATAN		SIZE D	SCALE 1:1
		SHEET 3 OF 4	REV B

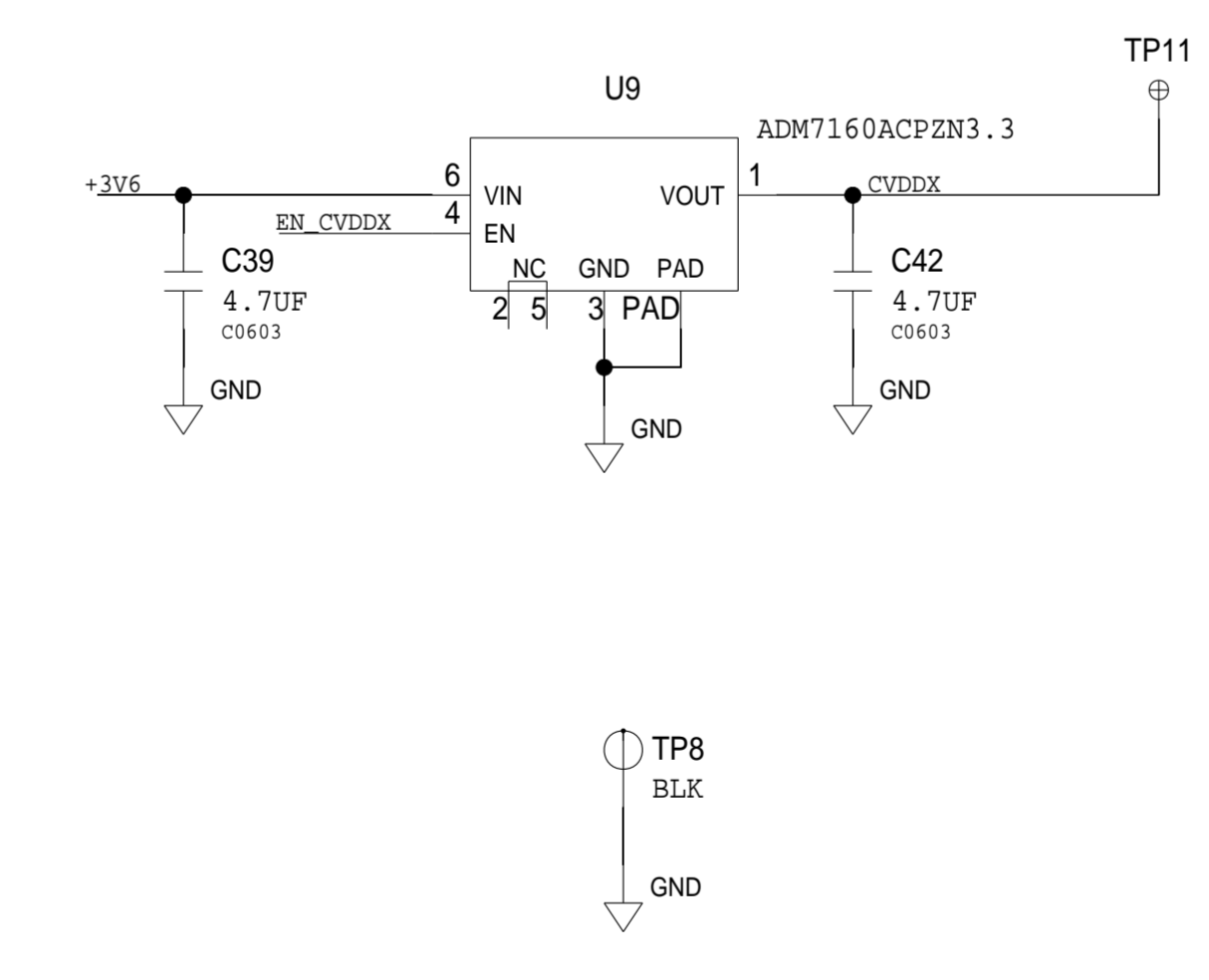
REVISIONS			
REV	DESCRIPTION	DATE	APPROVED



ADA4817 SUPPLY RAILS



CVDDX



	SCHEMATIC		
	HW TYPE : Customer Evaluation Z Product(s) : AD9106-ARDZ-EBZ : N/A		
	DESIGN VIEW <DESIGN_VIEW>	DRAWING NO. 02_064200	REV B
	PTD ENGINEER S CABATAN	SIZE D	SCALE 1:1
		SHEET 4 OF 4	