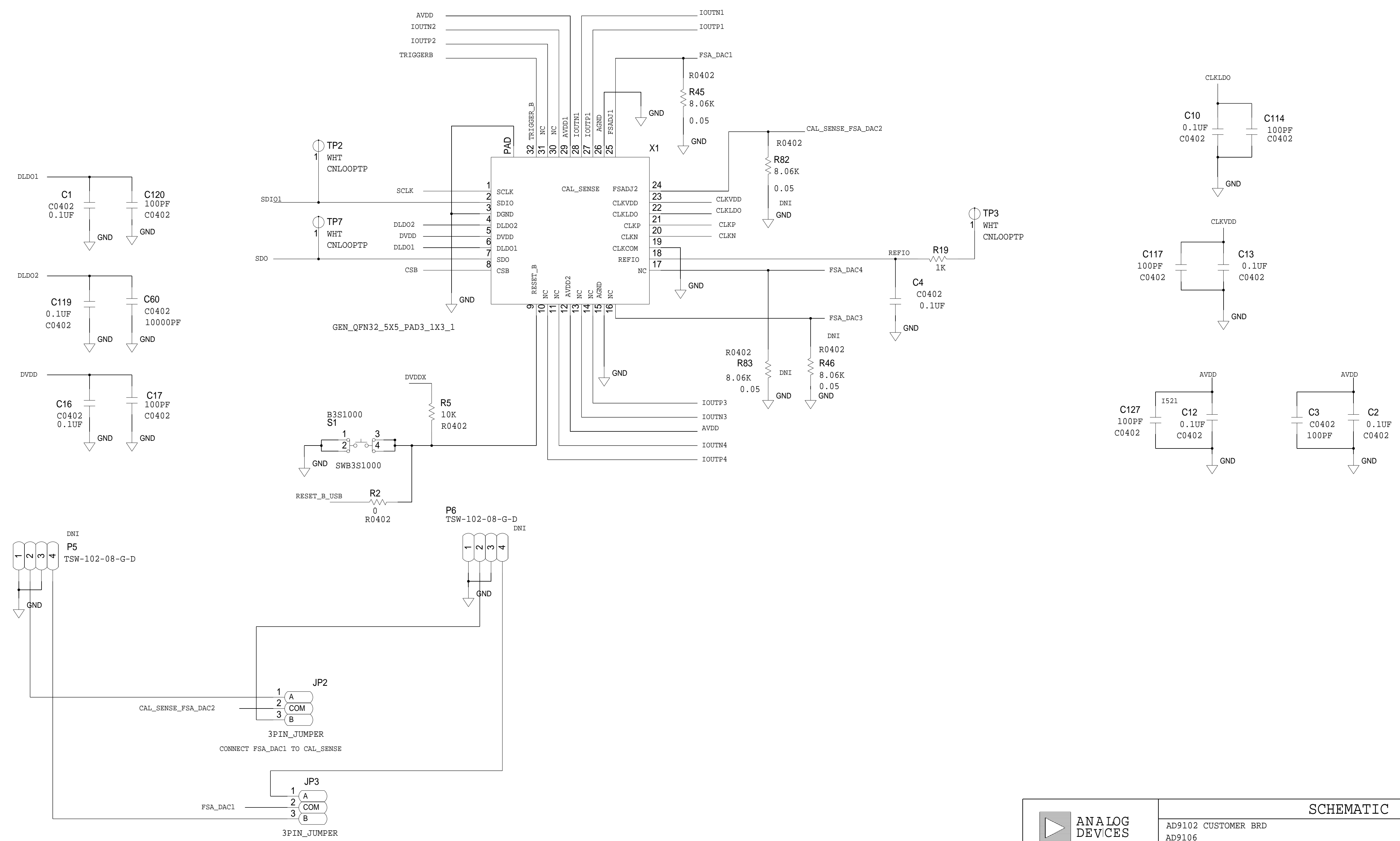


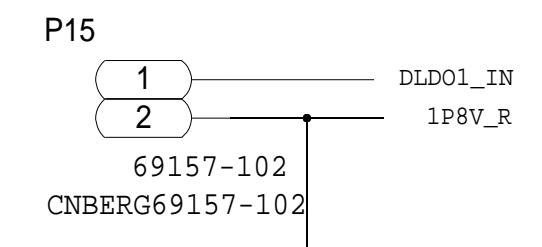
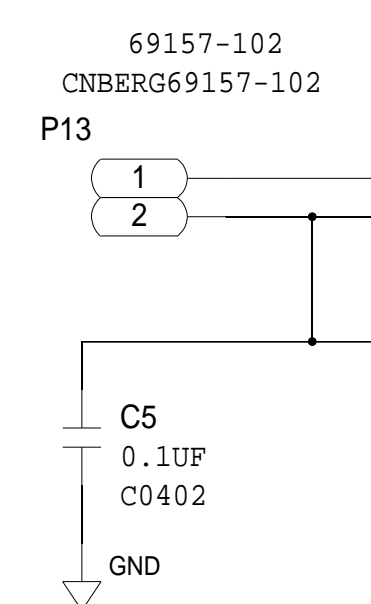
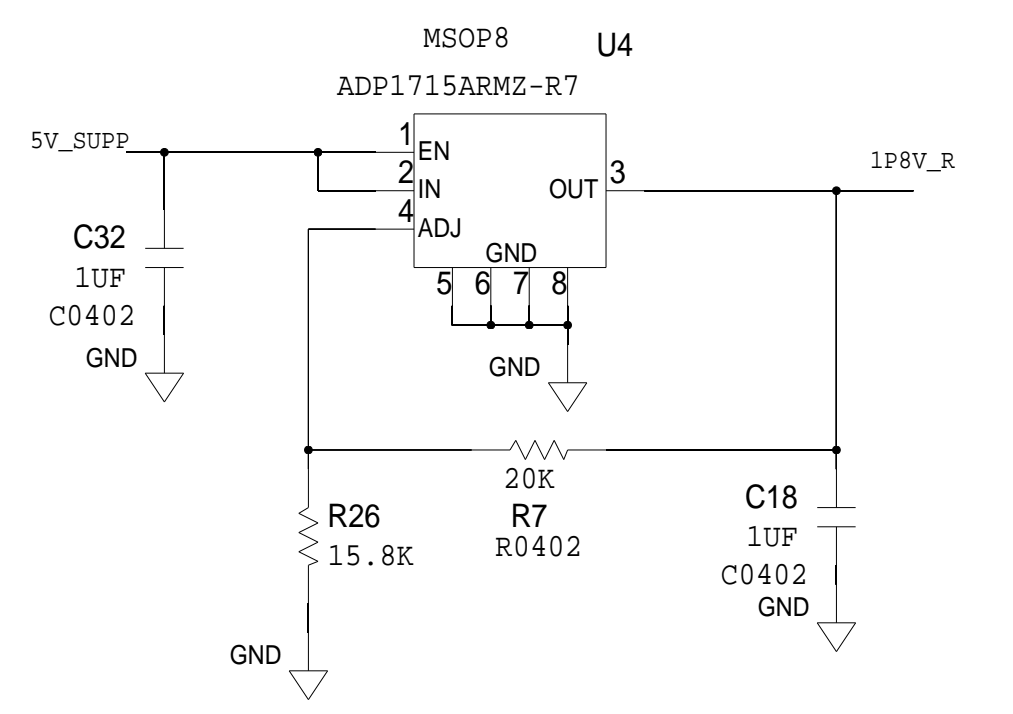
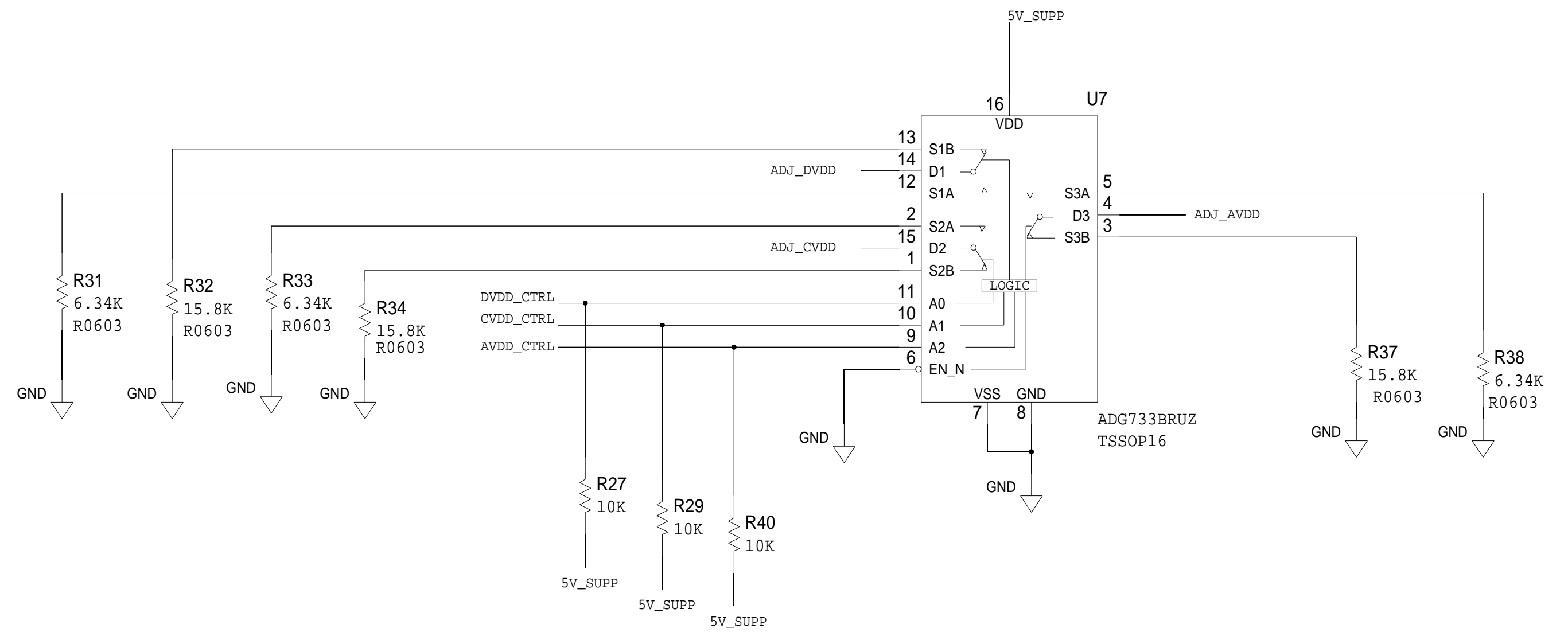
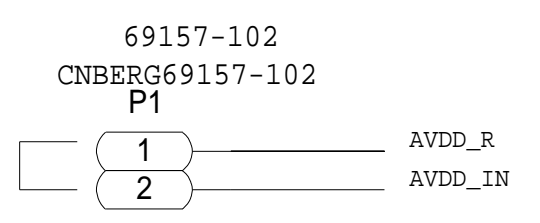
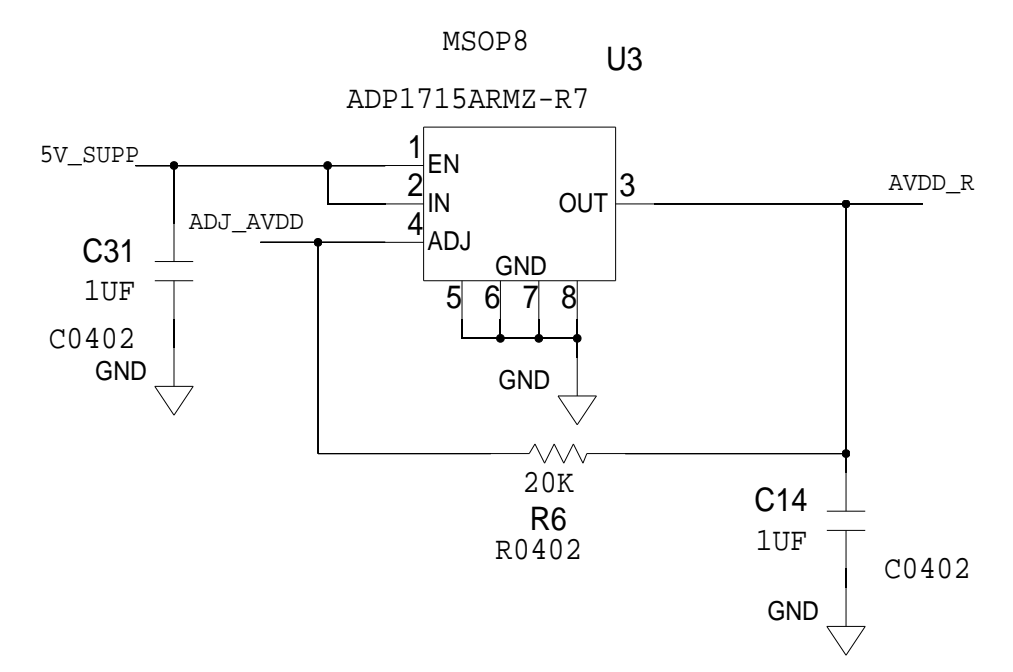
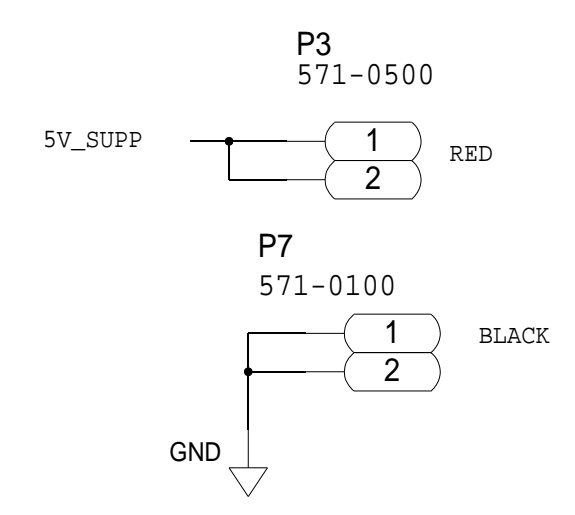
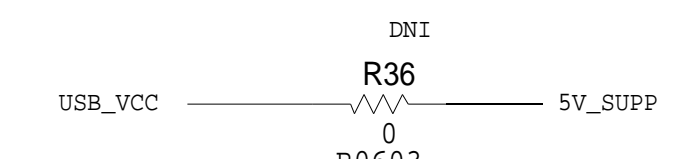
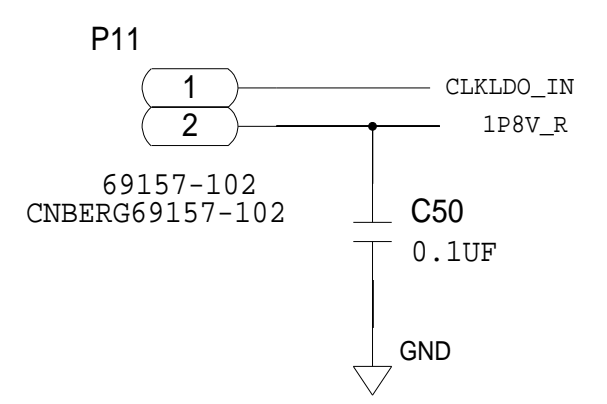
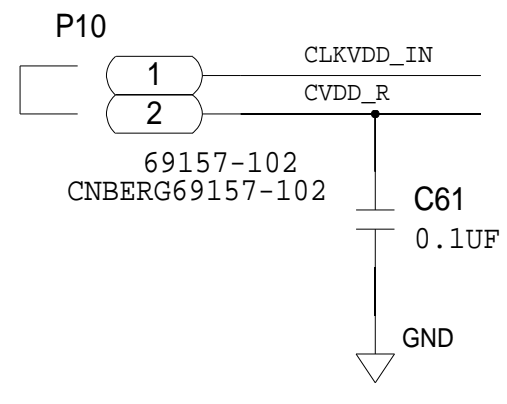
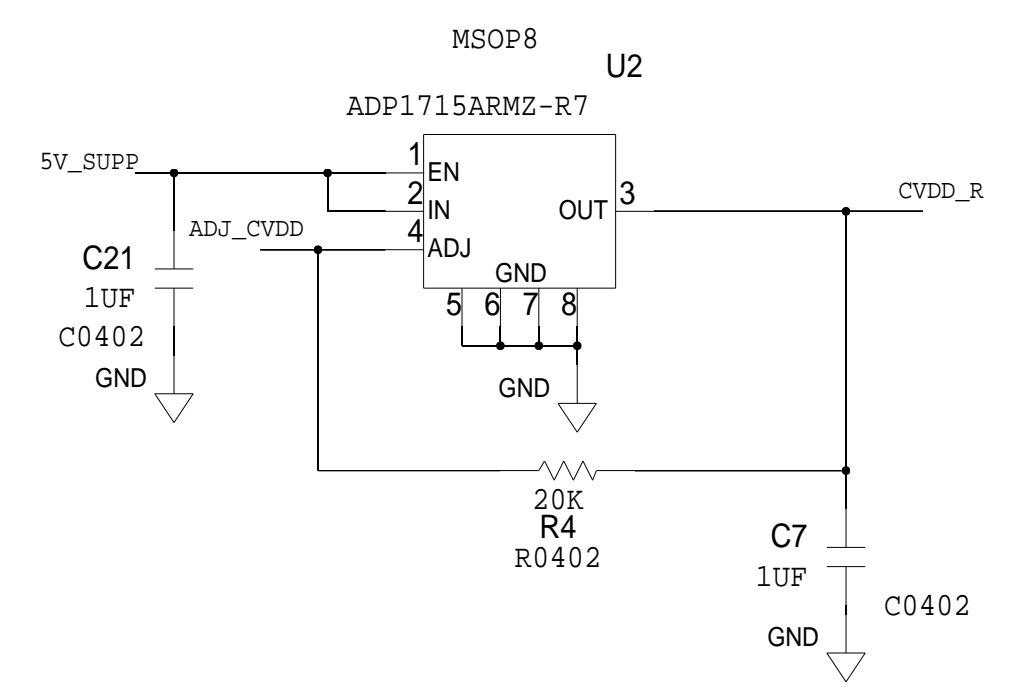
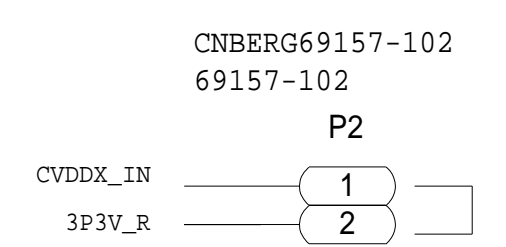
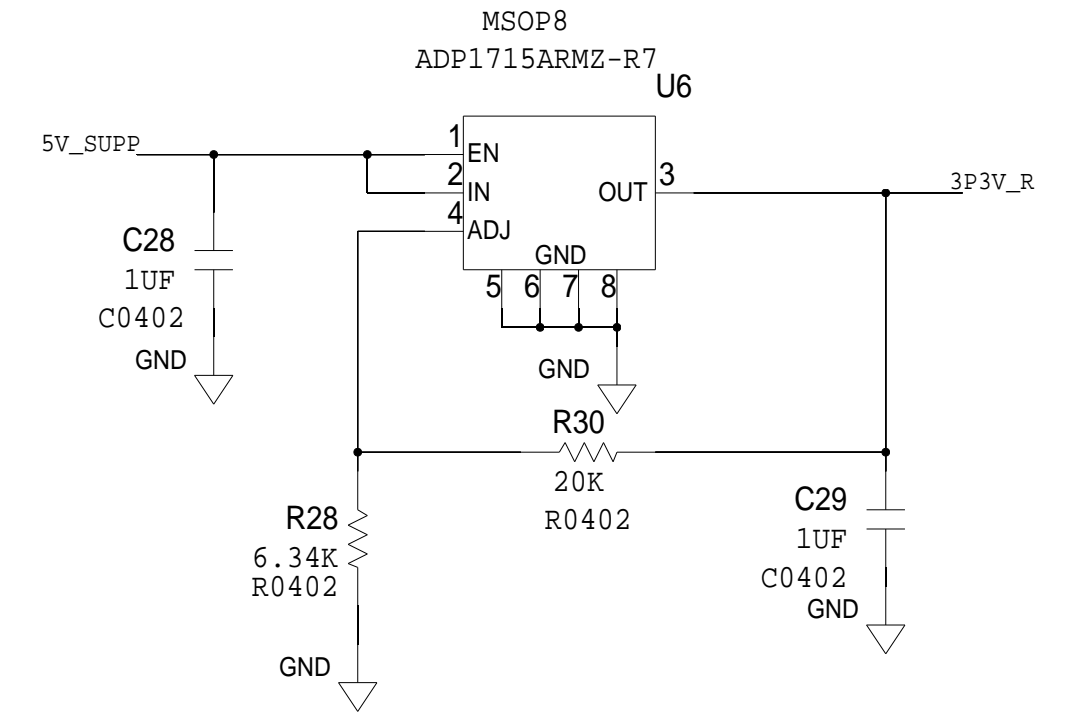
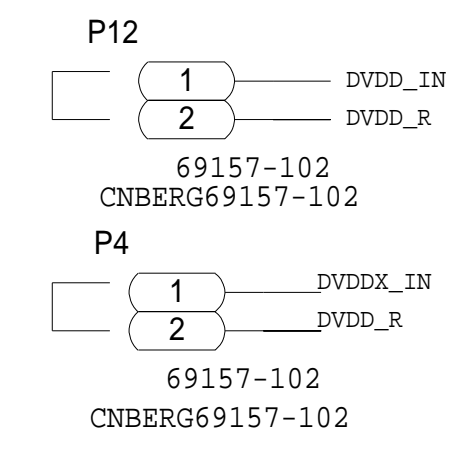
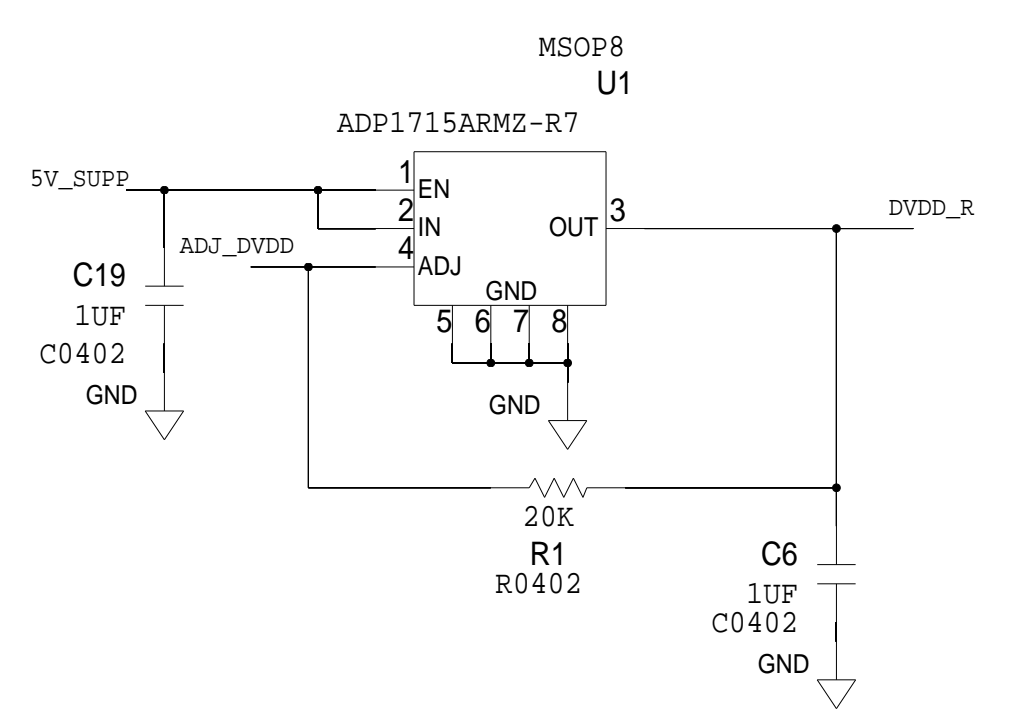
REVISIONS			
REV	DESCRIPTION	DATE	APPROVED

AD9102 DUT PINOUT



 <small>THIS DRAWING IS THE PROPERTY OF ANALOG DEVICES INC. IT IS NOT TO BE REPRODUCED OR COPIED, IN WHOLE OR IN PART, OR USED IN ANY MANNER WITHOUT THE WRITTEN PERMISSION OF ANALOG DEVICES. THE EQUIPMENT DESIGN HEREON MAY BE PROTECTED BY PATENTS OWNED OR CONTROLLED BY ANALOG DEVICES.</small>	SCHEMATIC		
	AD9102 CUSTOMER BRD AD9106 <PRODUCT_1>		
	DESIGN VIEW <DESIGN_VIEW>	DRAWING NO. 12062	REV A
	PTD ENGINEER <PTD_ENGINEER>	SIZE D	SCALE <SCALE>

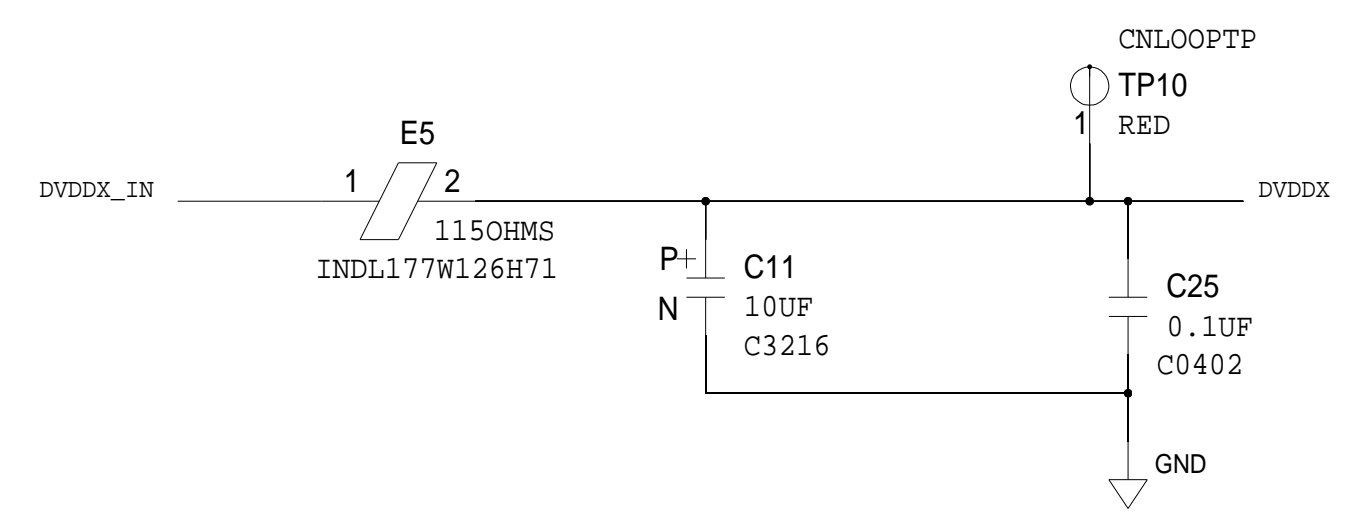
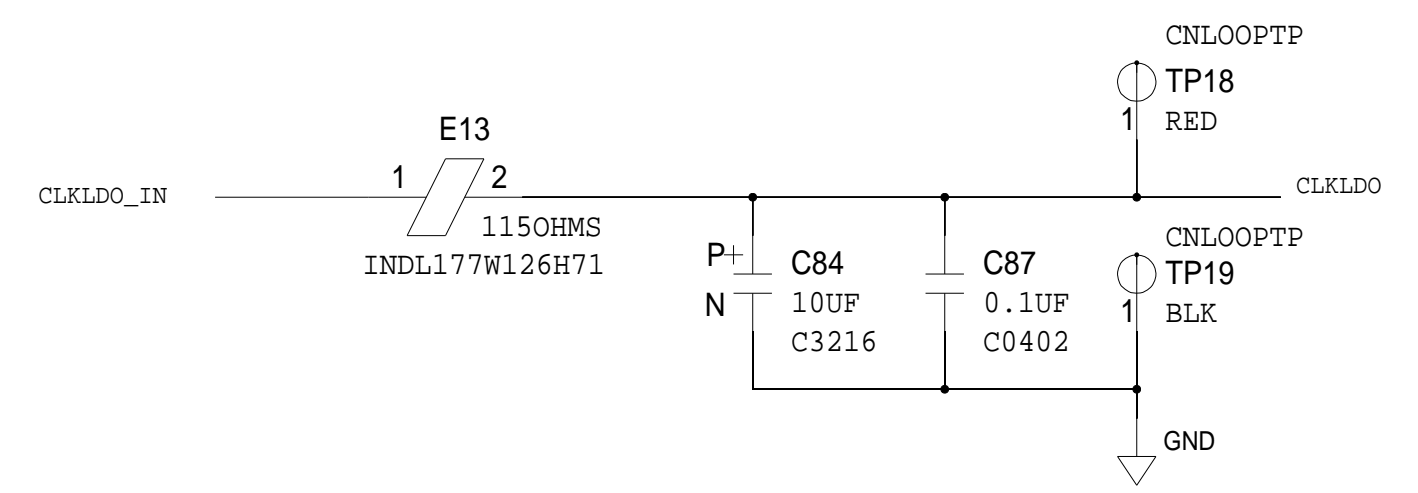
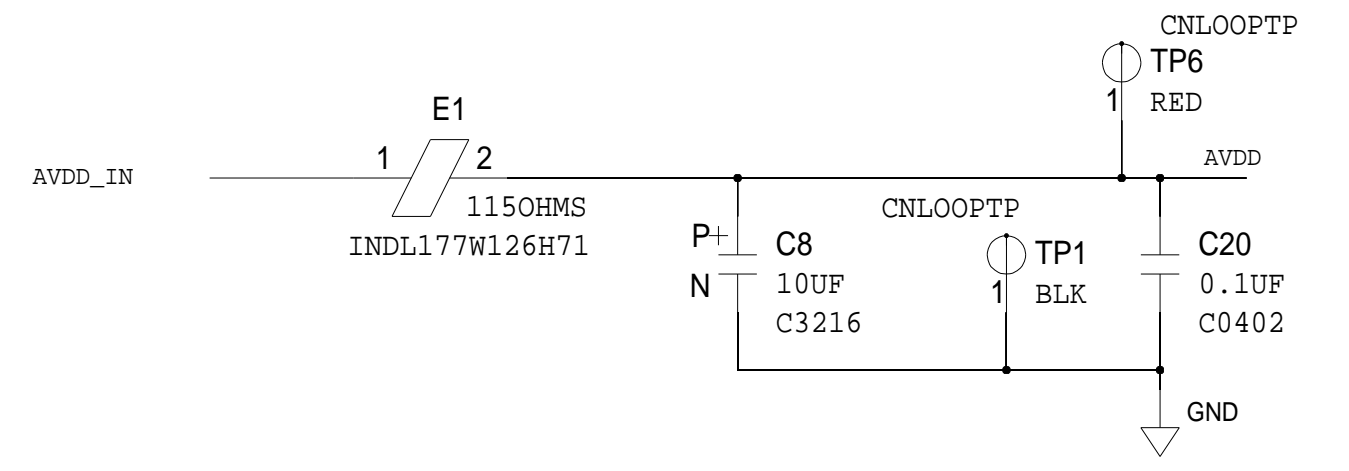
REVISIONS			
REV	DESCRIPTION	DATE	APPROVED



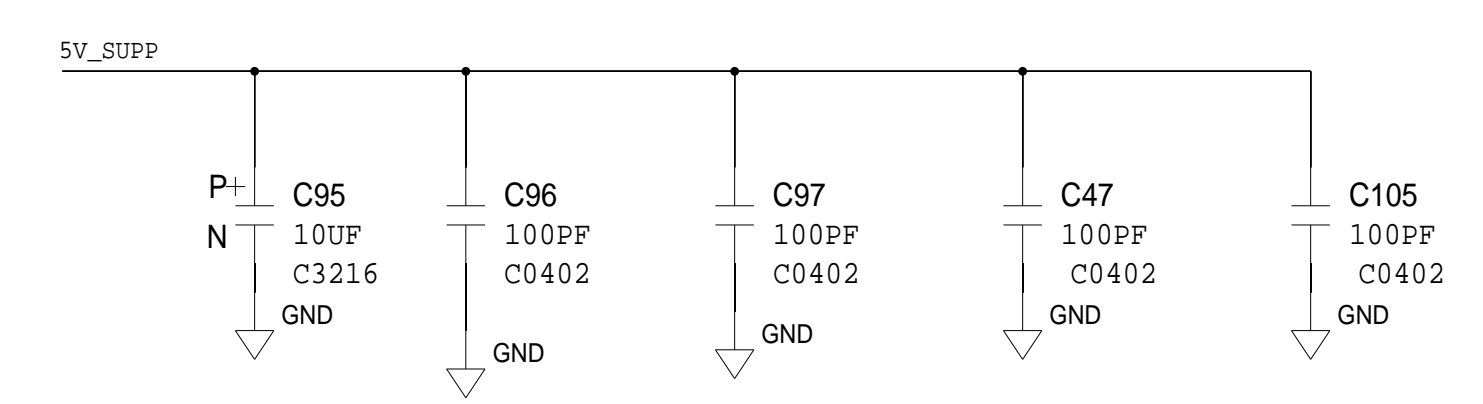
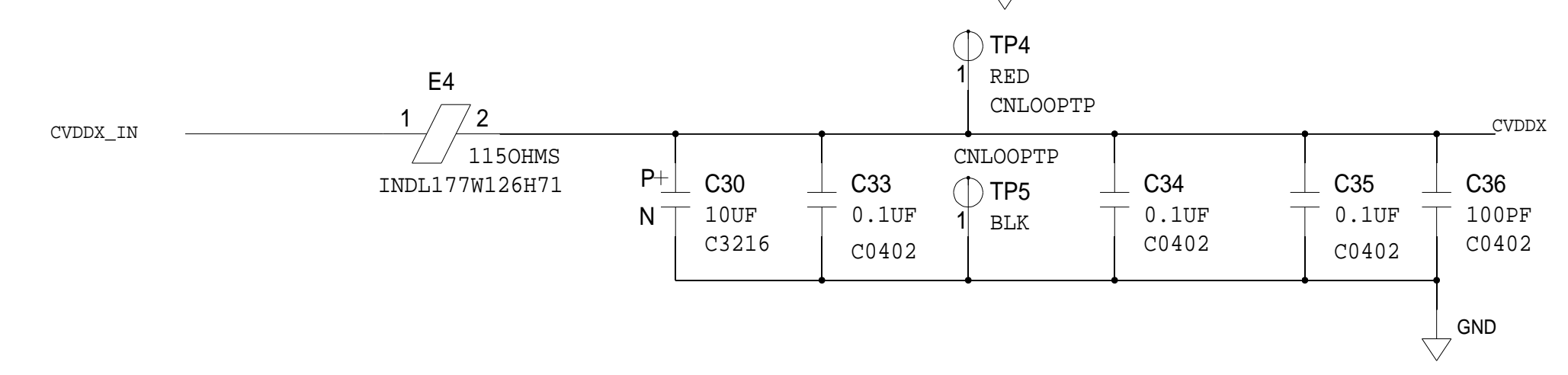
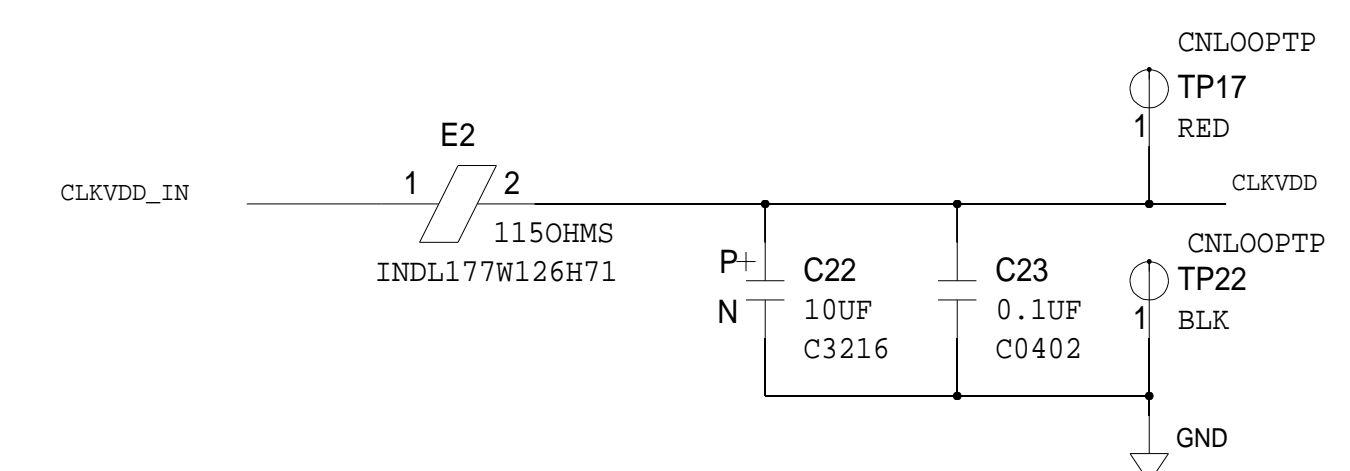
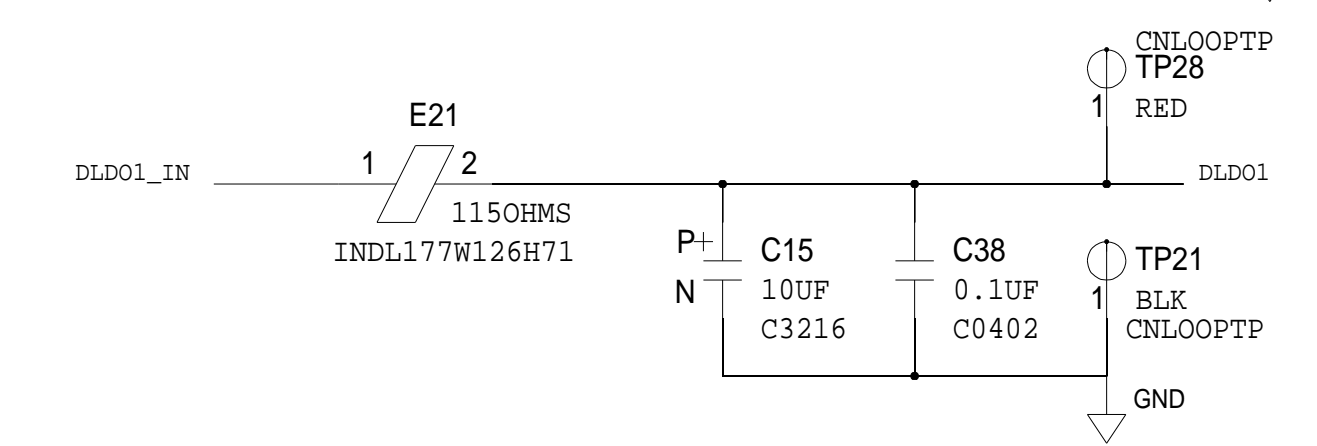
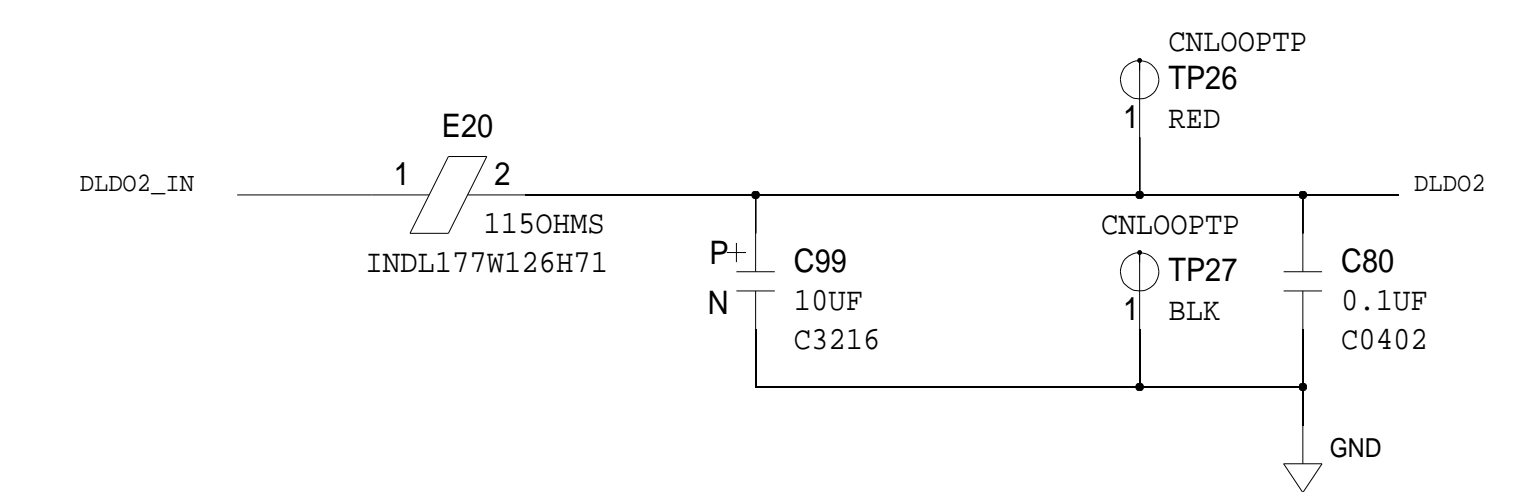
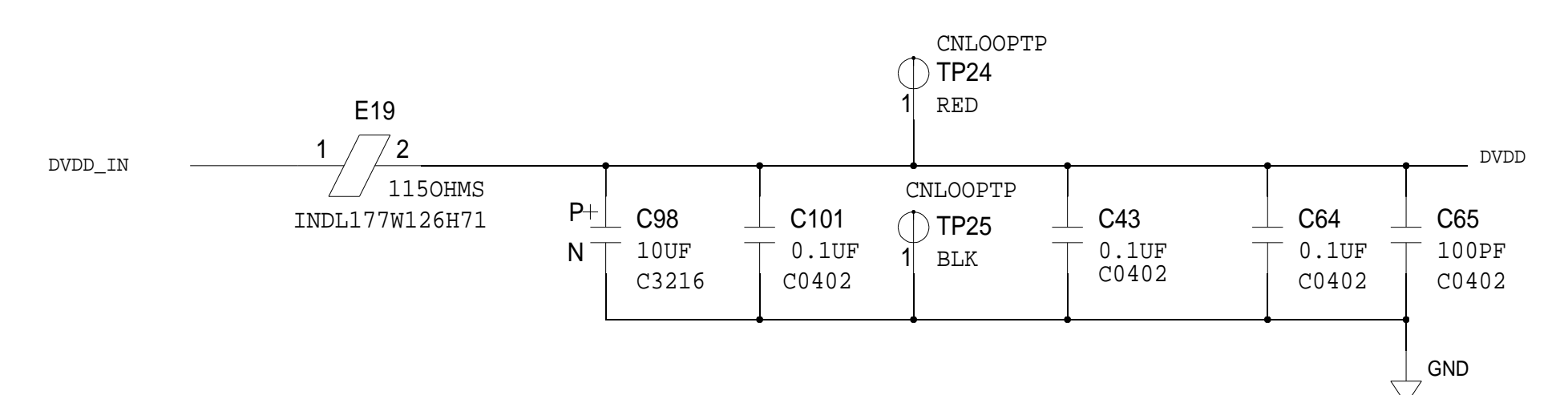
	SCHMATIC		
	AD9102 CUSTOMER BRD		
	AD9106		
	<PRODUCT_1>		
DESIGN VIEW	DRAWING NO.	REV	
<DESIGN_VIEW>	12062	A	
PTD ENGINEER	SIZE	SCALE	SHEET 3 OF 8
<PTD_ENGINEER>	D	<SCALE>	

REVISIONS			
REV	DESCRIPTION	DATE	APPROVED

ANALOG SUPPLY FILTERS



DIGITAL SUPPLY FILTERS

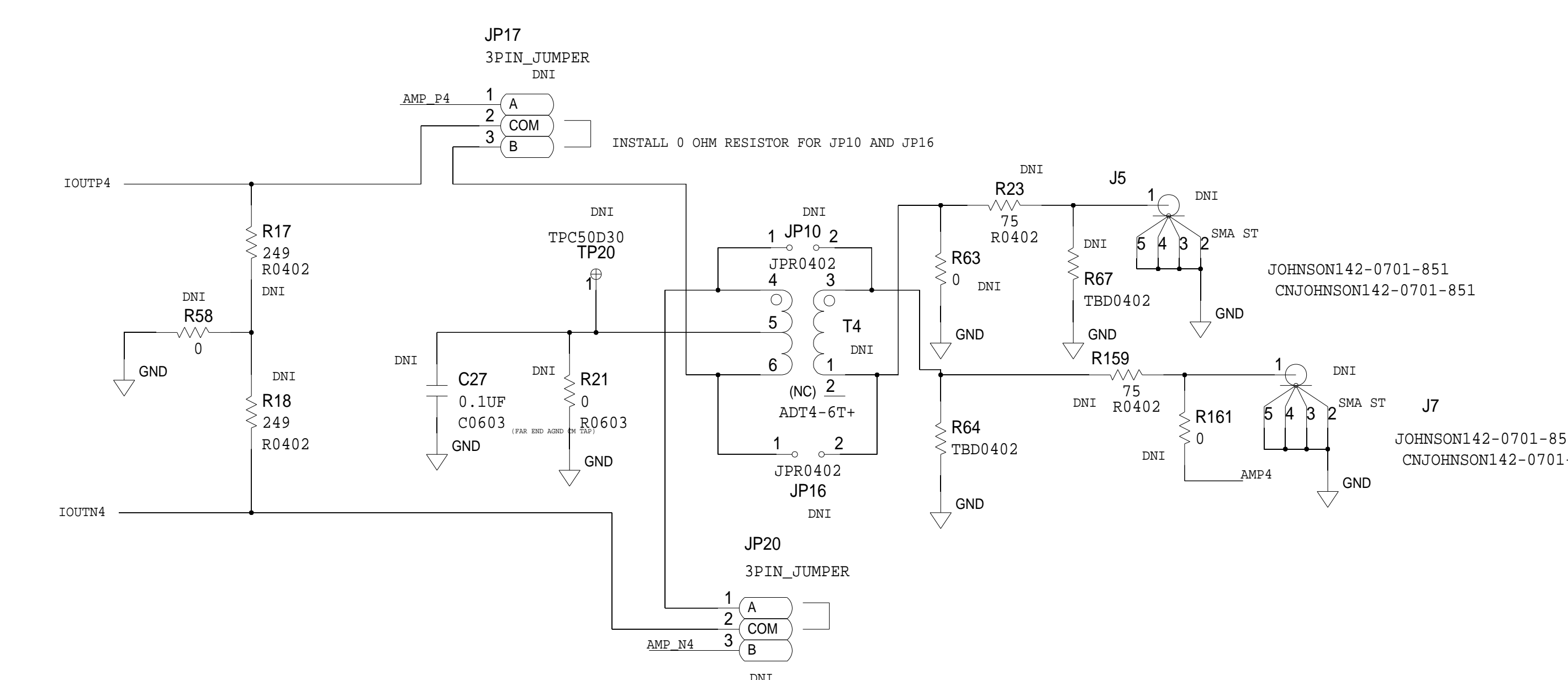
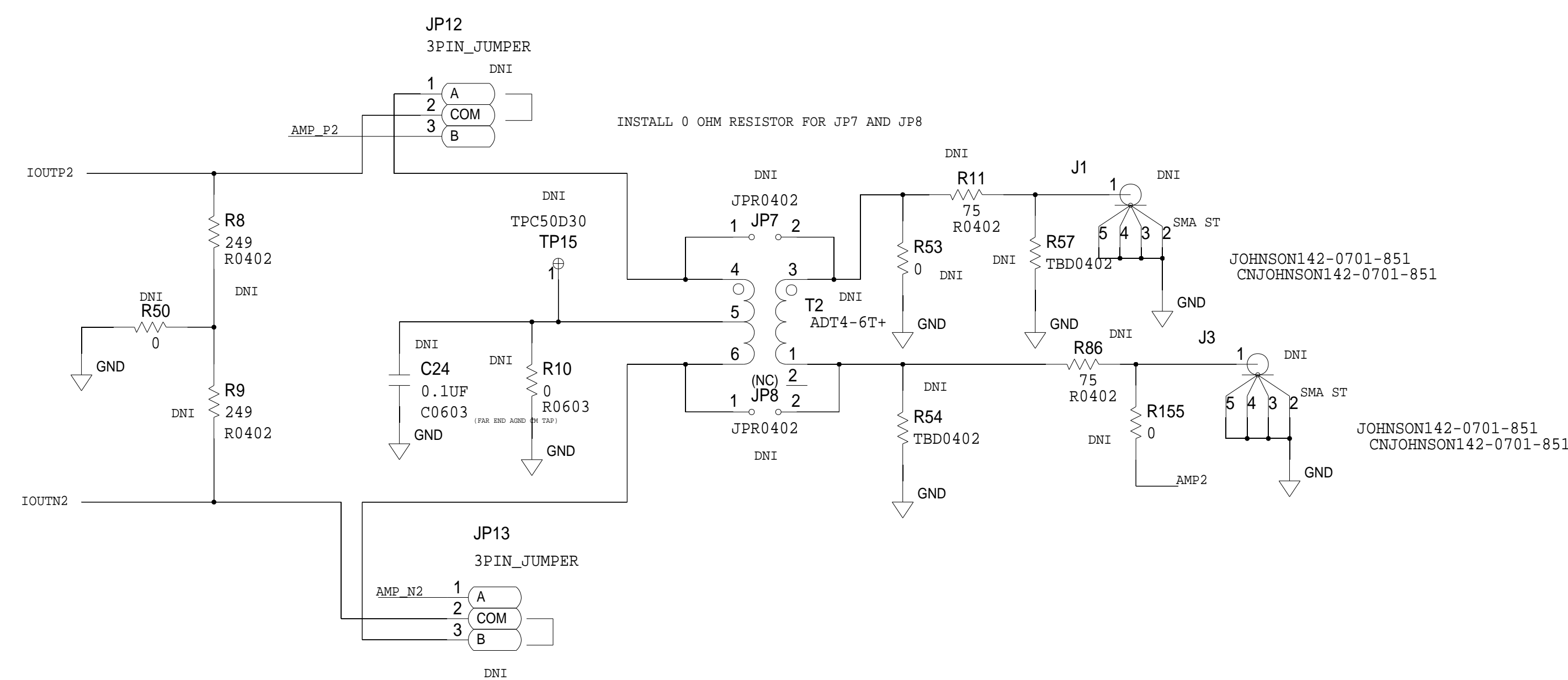
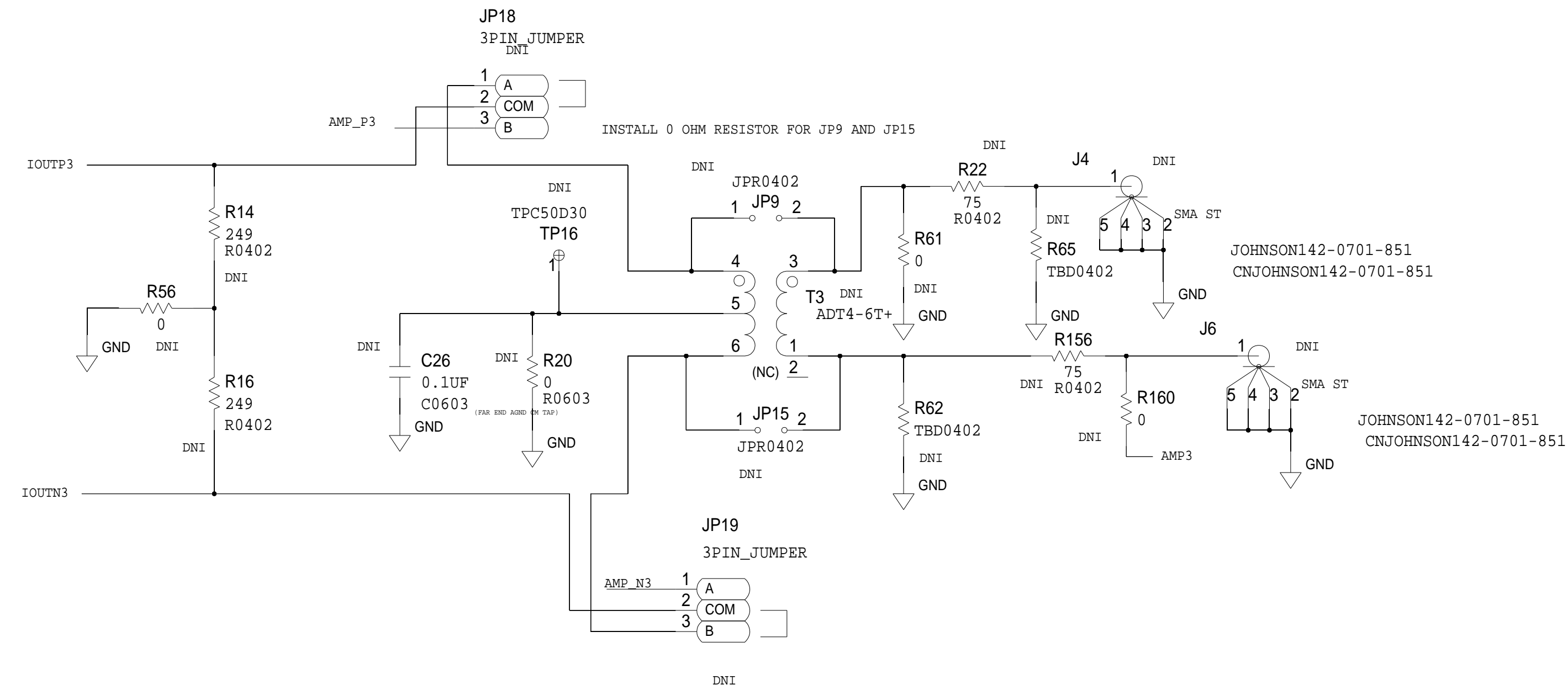
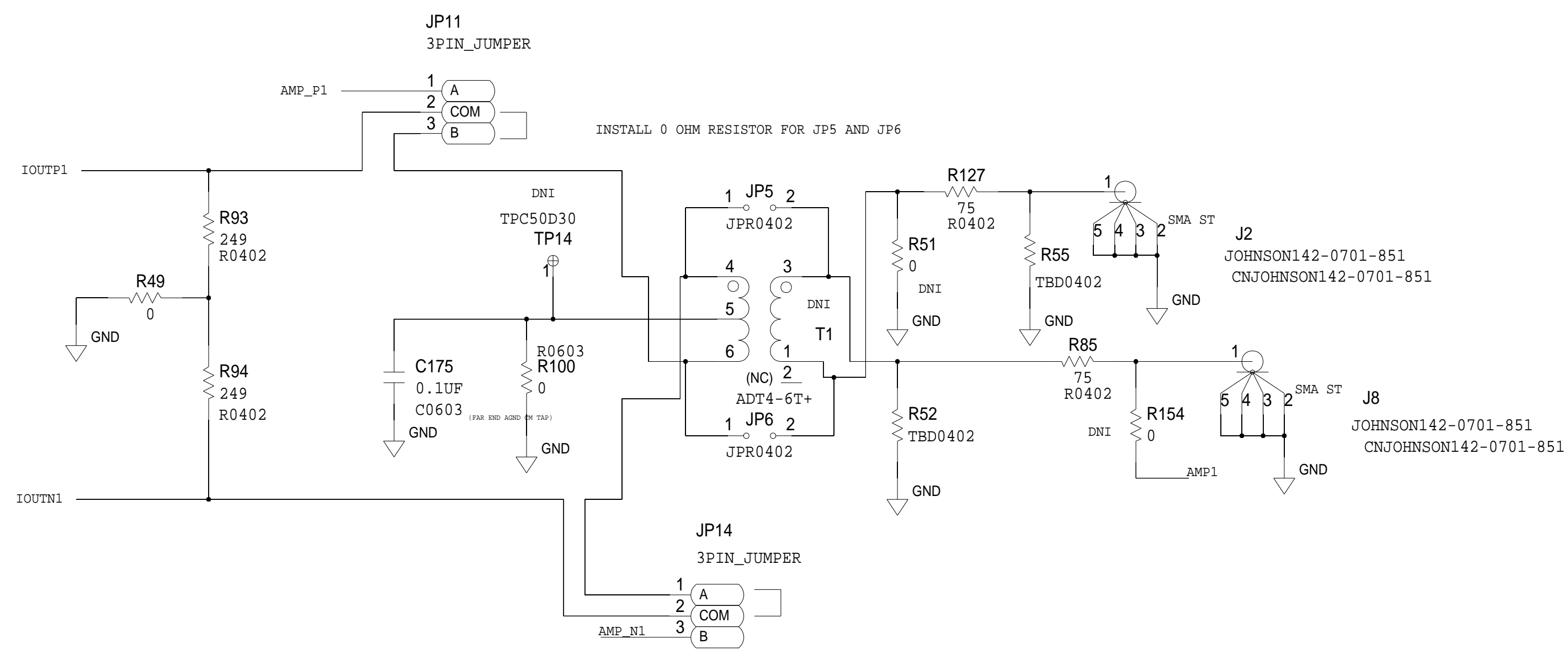


	SCHEMATIC		
	AD9102 CUSTOMER BRD		
	AD9106 <PRODUCT_1>		
	DESIGN VIEW <DESIGN_VIEW>	DRAWING NO. 12062	REV A
PTD ENGINEER <PTD_ENGINEER>	SIZE D	SCALE <SCALE>	SHEET 4 OF 8

DAC OUTPUT CIRCUITS

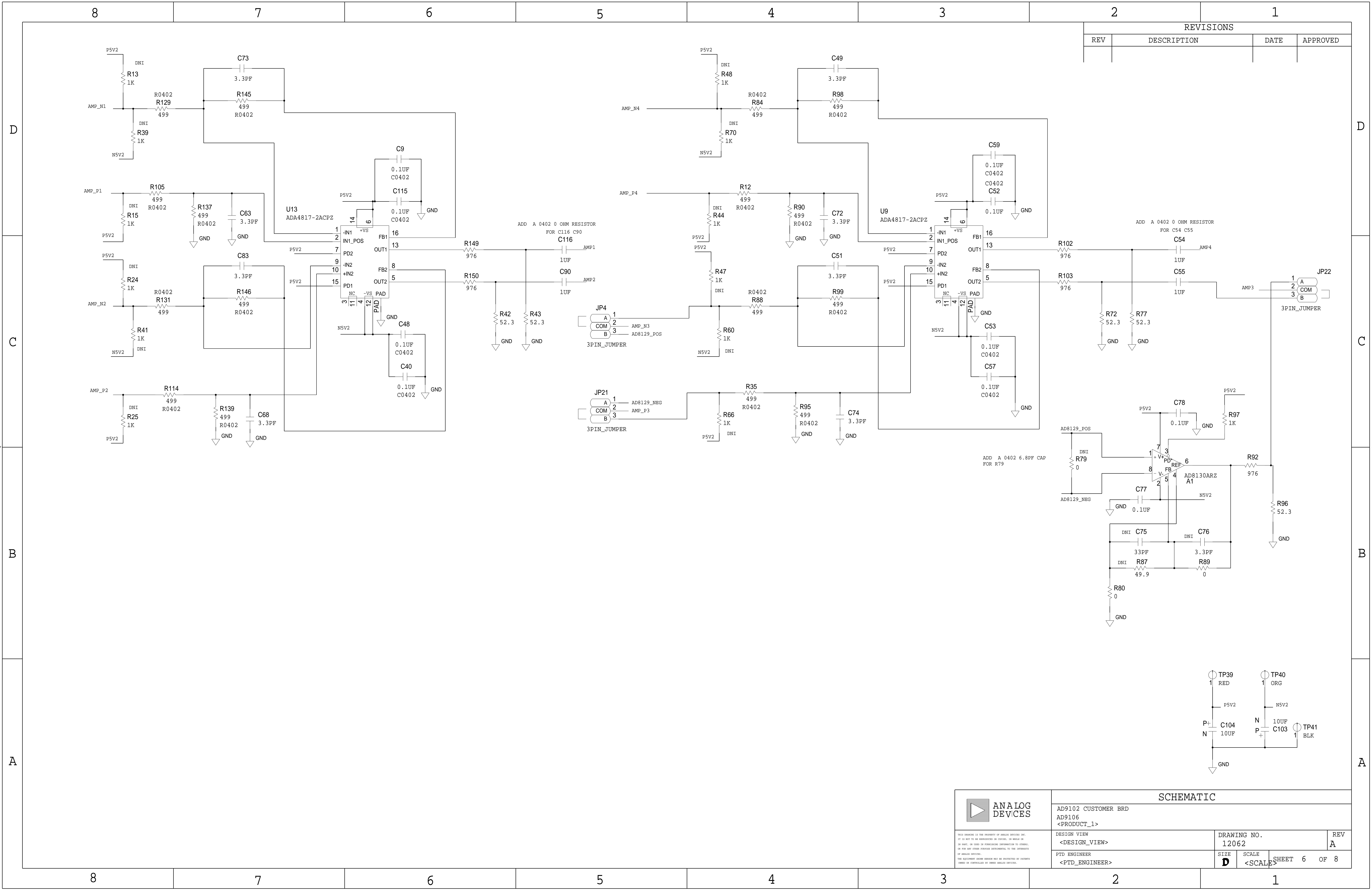
REVISIONS			
REV	DESCRIPTION	DATE	APPROVED

IOUT NETWORK



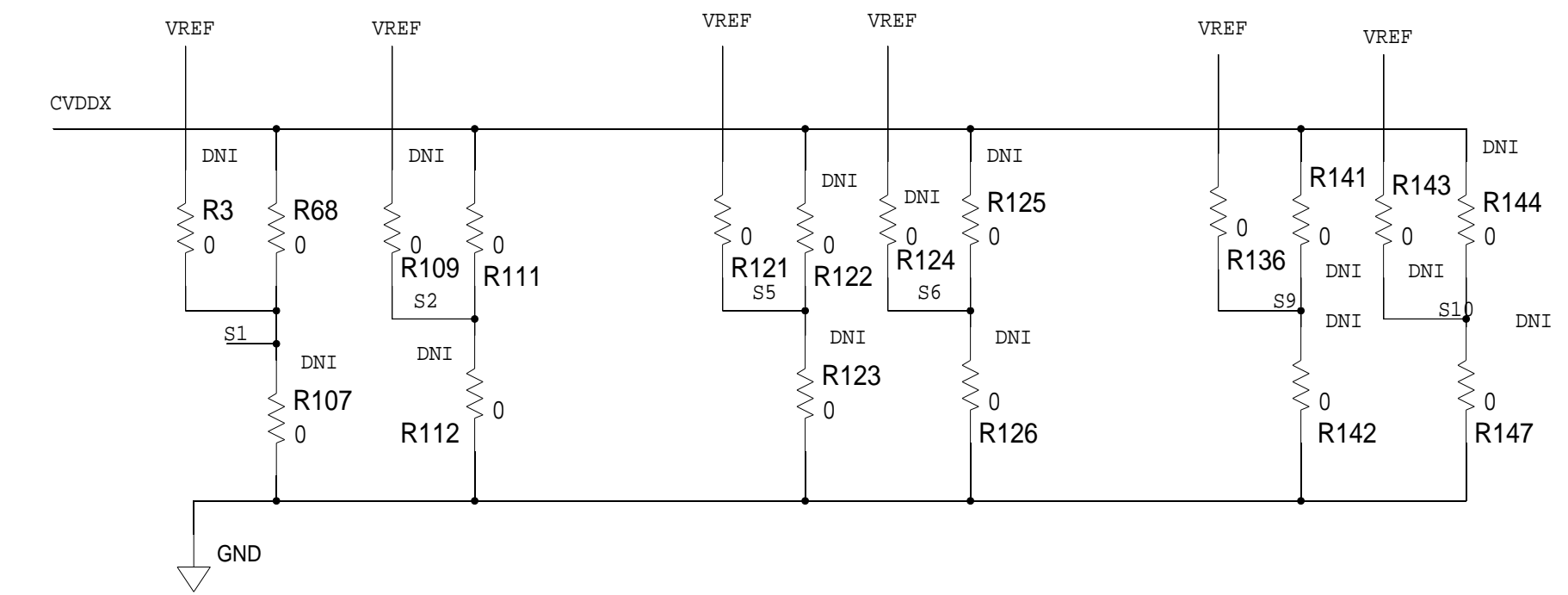
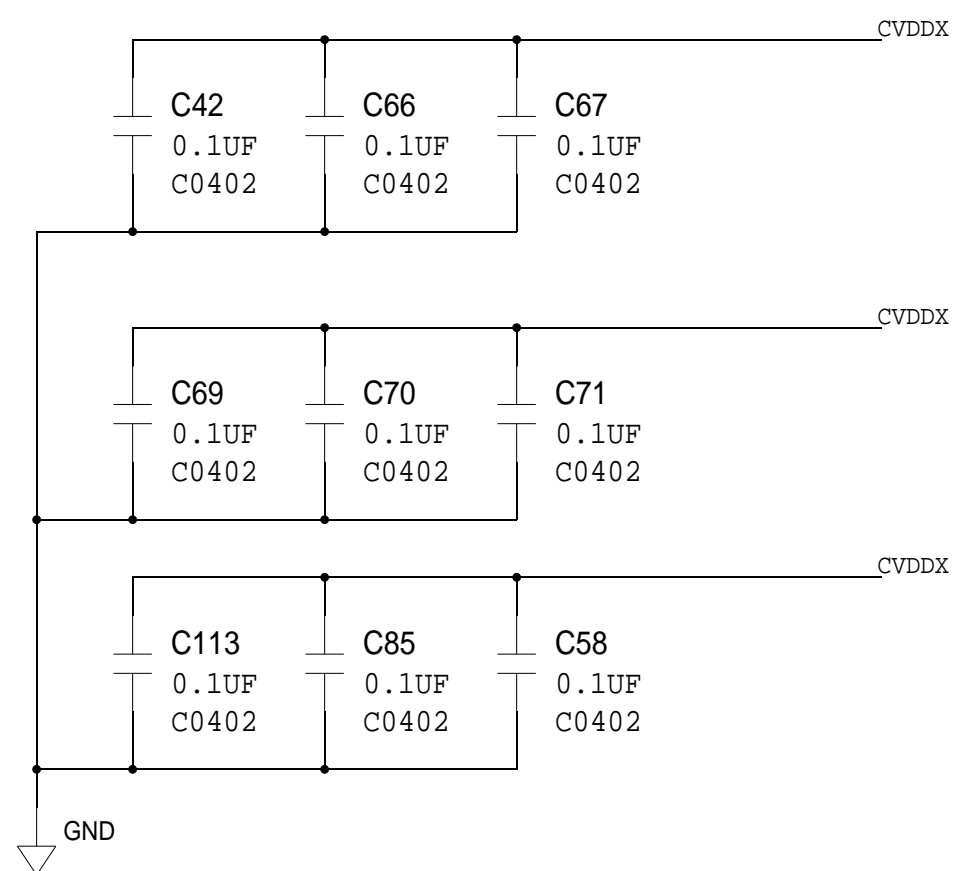
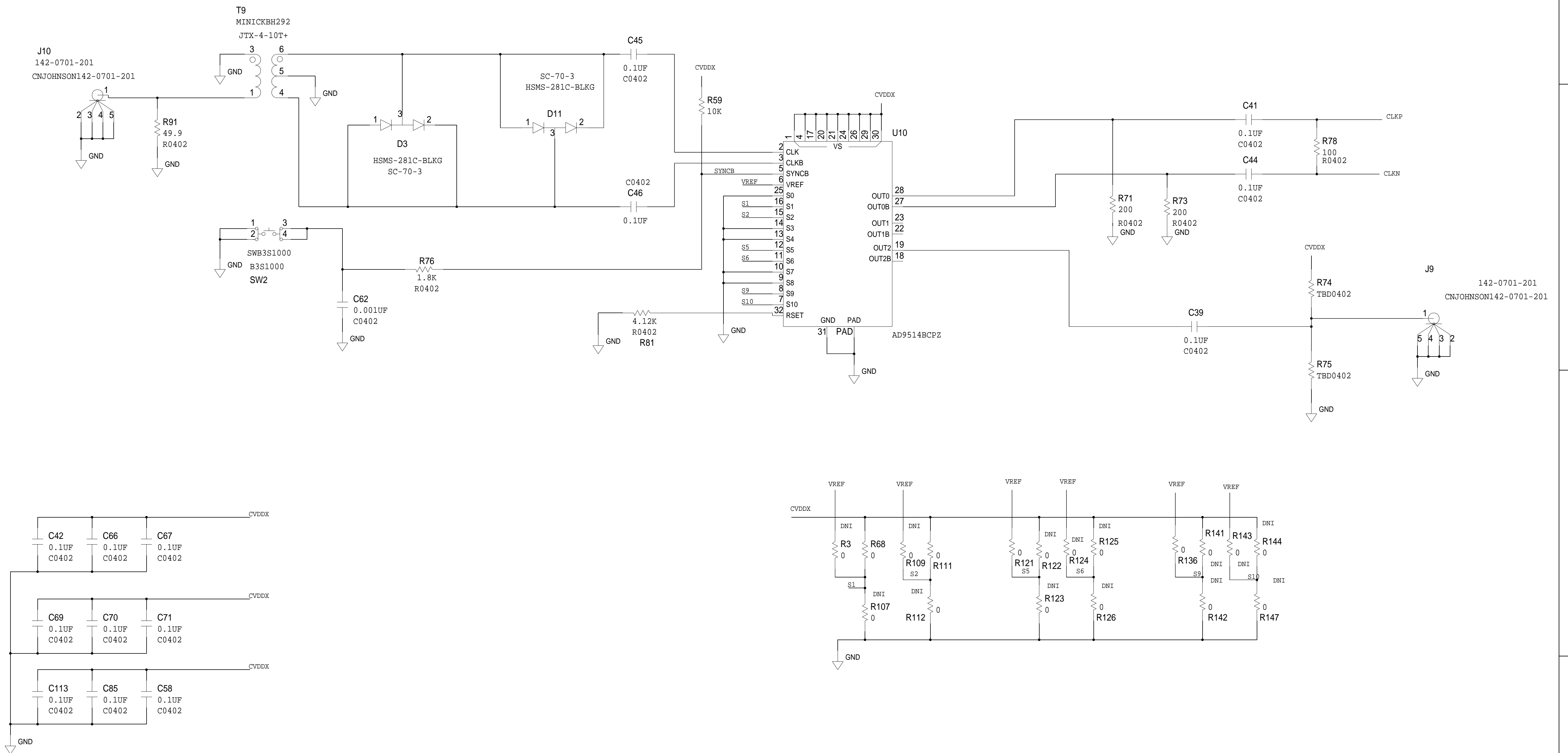
SCHEMATIC			
		AD9102 CUSTOMER BRD AD9106 <PRODUCT_1>	
DESIGN VIEW <DESIGN_VIEW>	DRAWING NO. 12062	REV A	
PTD ENGINEER <PTD_ENGINEER>	SIZE D	SCALE <SCALE>	SHEET 5 OF 8

REVISIONS			
REV	DESCRIPTION	DATE	APPROVED



SCHEMATIC			
AD9102 CUSTOMER BRD AD9106 <PRODUCT_1>			
DESIGN VIEW <DESIGN_VIEW>	DRAWING NO. 12062	REV A	
PTD ENGINEER <PTD_ENGINEER>	SIZE D	SCALE <SCALE>	SHEET 6 OF 8

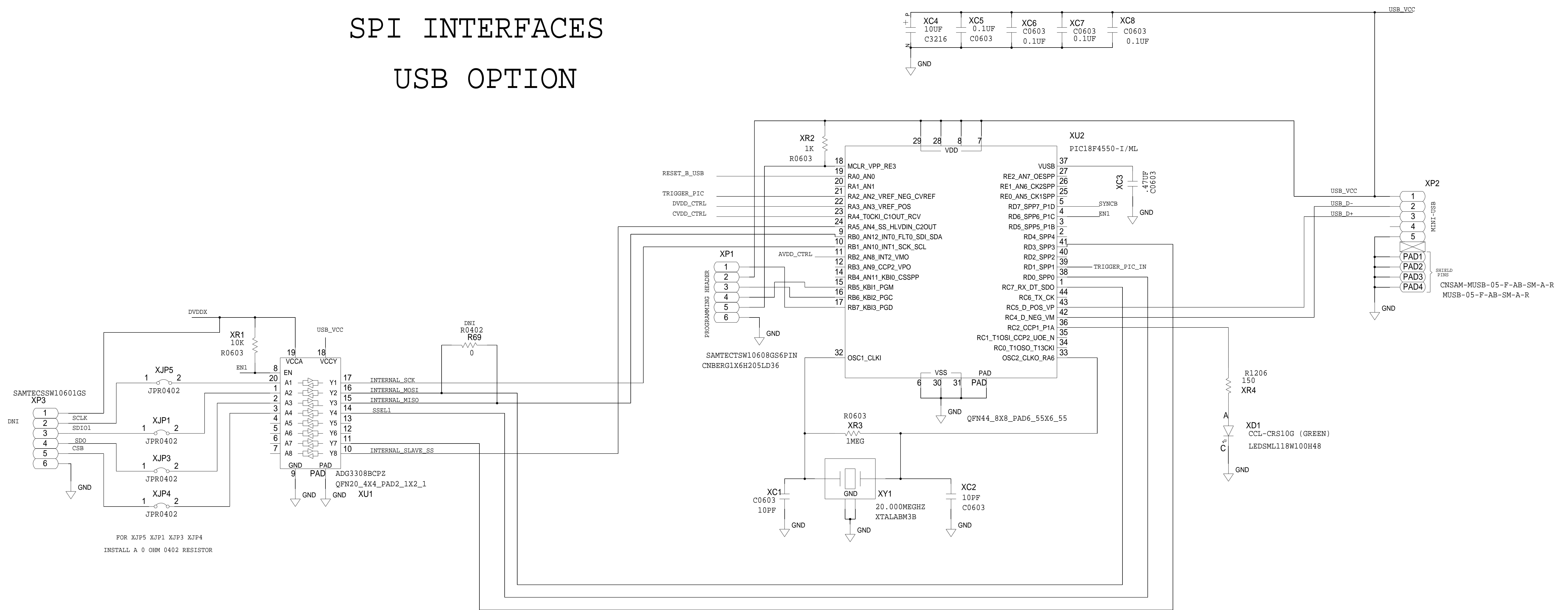
REVISIONS			
REV	DESCRIPTION	DATE	APPROVED



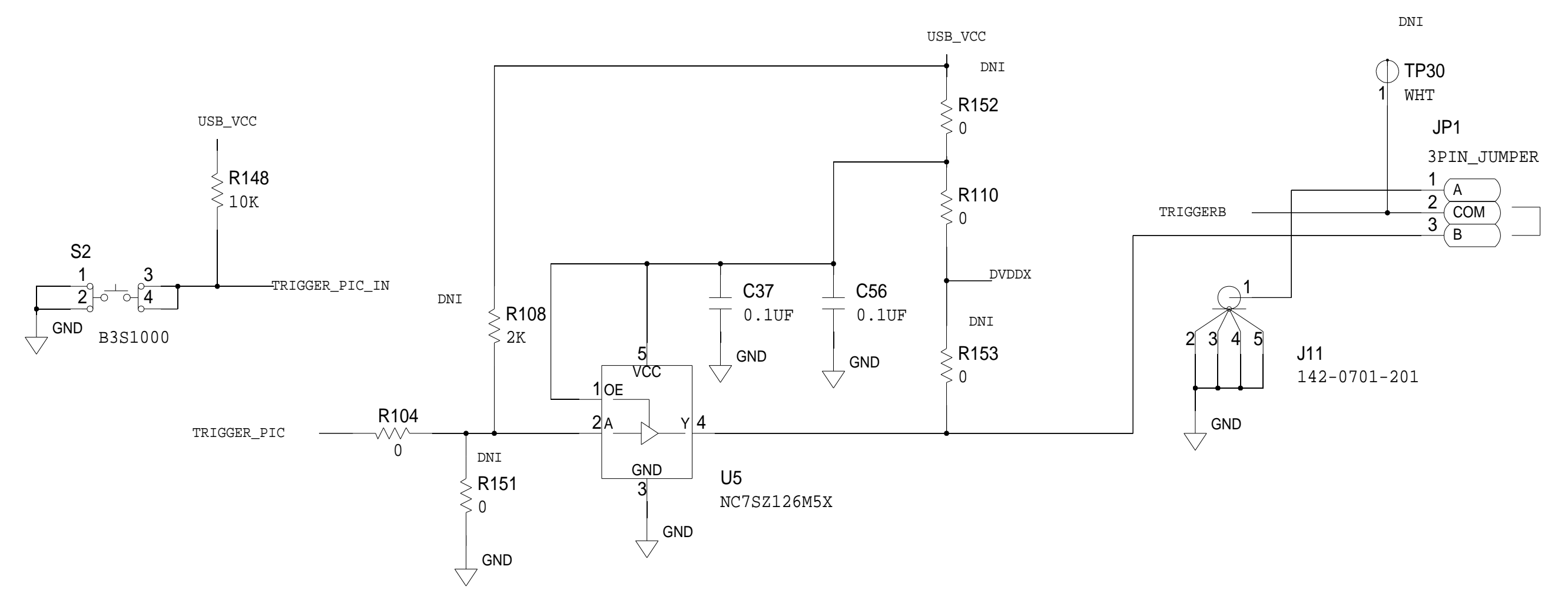
	SCHEMATIC		
	AD9102 CUSTOMER BRD		
	AD9106		
	<PRODUCT_1>		
DESIGN VIEW	DRAWING NO.	REV	
<DESIGN_VIEW>	12062	A	
PTD ENGINEER	SIZE	SCALE	SHEET 7 OF 8
<PTD_ENGINEER>	D	<SCALE>	

REVISIONS			
REV	DESCRIPTION	DATE	APPROVED

SPI INTERFACES USB OPTION



FOR XJP5 XJP1 XJP3 XJP4
INSTALL A 0 OHM 0402 RESISTOR



SCHEMATIC			
ANALOG DEVICES		AD9102 CUSTOMER BRD AD9106 <PRODUCT_1>	
DESIGN VIEW <DESIGN_VIEW>	DRAWING NO. 12062	REV A	
PTD ENGINEER <PTD_ENGINEER>	SIZE D	SCALE <SCALE>	SHEET 8 OF 8