

8 7 6 5 4 3 2 1

THIS DRAWING IS THE PROPERTY OF ANALOG DEVICES INC. IT IS NOT TO BE REPRODUCED OR COPIED, IN WHOLE OR IN PART, OR USED IN FURNISHING INFORMATION TO OTHERS, OR FOR ANY OTHER PURPOSE DETRIMENTAL TO THE INTERESTS OF ANALOG DEVICES. THE EQUIPMENT SHOWN HEREON MAY BE PROTECTED BY PATENTS OWNED OR CONTROLLED BY ANALOG DEVICES.

JUMPER TABLE		
JP#	ON	OFF
1		
2		
3		
4		
5		

REVISIONS			
REV	DESCRIPTION	DATE	APPROVED
A	INITIAL RELEASE	23MAY20	S CABATAN.
B	ECR-099831	15DEC20	S CABATAN.

RELAY CONTROL CHART

CONTROL	CODE	DEVICE	FUNCTION	CONNECTOR

* SEE ASSEMBLY INSTRUCTIONS

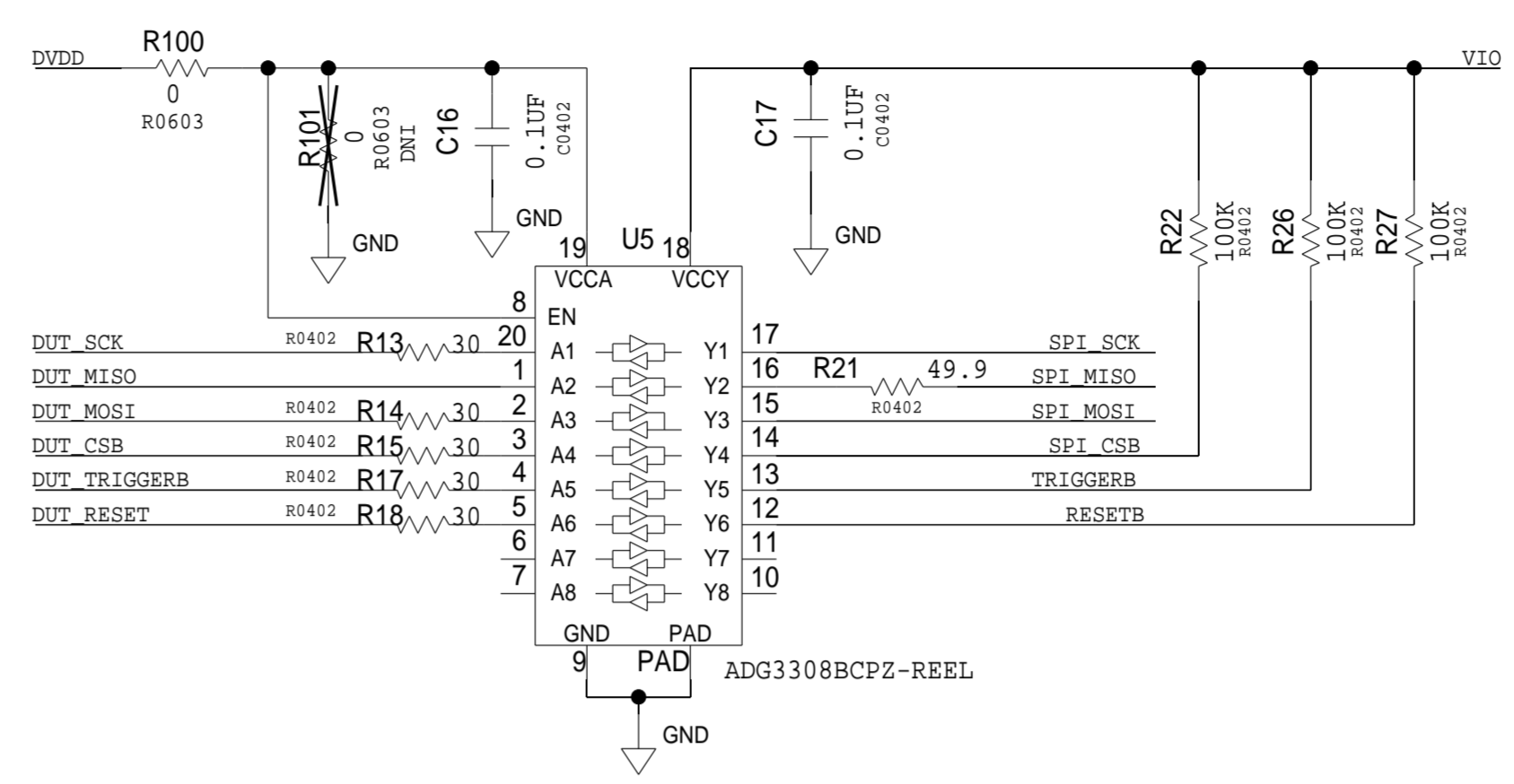
P.O SPEC.	BK/BD SPEC.	SOCKET OEM	OEM PART#	HANDLER

TEMPLATE ENGINEER -	DATE 23MAY20	<h2 style="text-align: center;">SCHEMATIC</h2>		
HARDWARE SERVICES MVALE	23MAY20			
HARDWARE SYSTEMS -		HW TYPE : Customer Evaluation Z		
TEST ENGINEER -		Product(s): AD9102-ARDZ-EBZ		
COMPONENT ENGINEER M YAN	23MAY20	: N/A		
TEST PROCESS -		PACKAGE : LeadCount-lead BodySize PackageType-family		
HARDWARE RELEASE K JABATAN	23MAY20	: Pitch-pitch StyleVendor Style		
DESIGNER M VALE	23MAY20	MASTER PROJECT TEMPLATE TBD	TESTER TEMPLATE no_template	DRAWING NO. 02_064200_02
PTD ENGINEER S CABATAN	23MAY20	UNLESS OTHERWISE SPECIFIED DIMENSIONS ARE IN INCHES		REV. B
CHECKER -		TOLERANCES		
		DECIMALS X.XX +0.010 X.XXX +0.005	FRACTIONS +1/32	ANGLES +2
		SIZE D	SCALE 1:1	CODE ID NO. CodeID
		SHEET 1 OF 4		

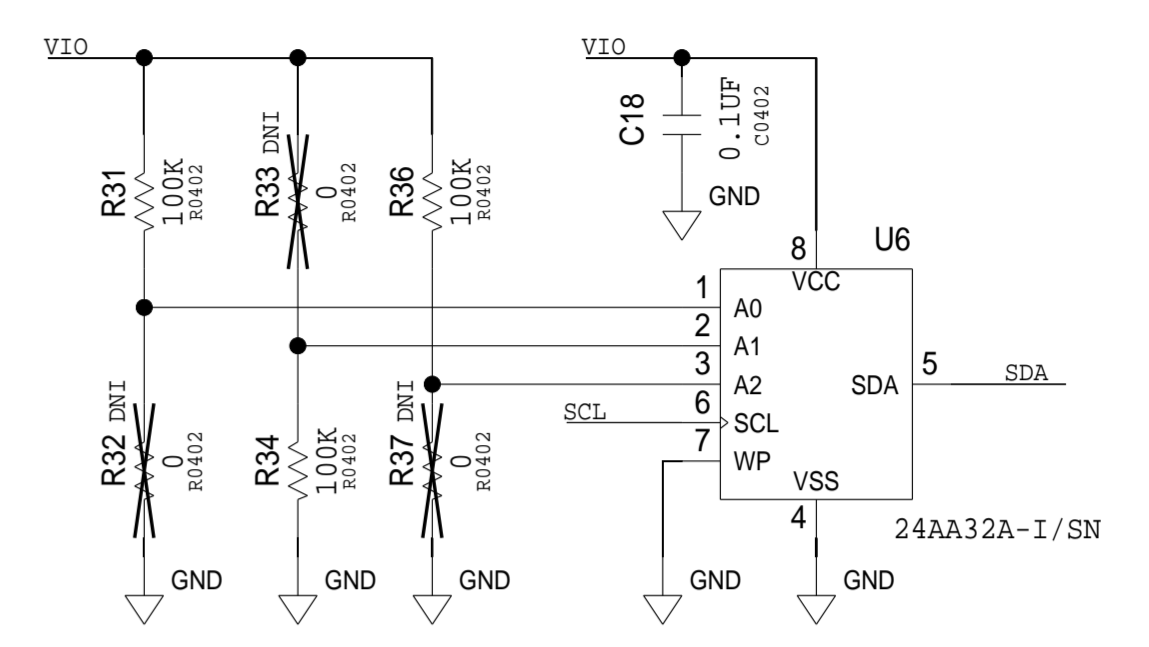
8 7 6 5 4 3 2 1

REVISIONS			
REV	DESCRIPTION	DATE	APPROVED

LEVEL TRANSLATION

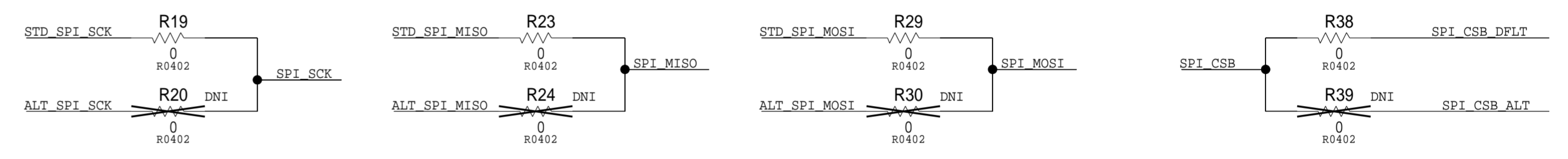


EEPROM

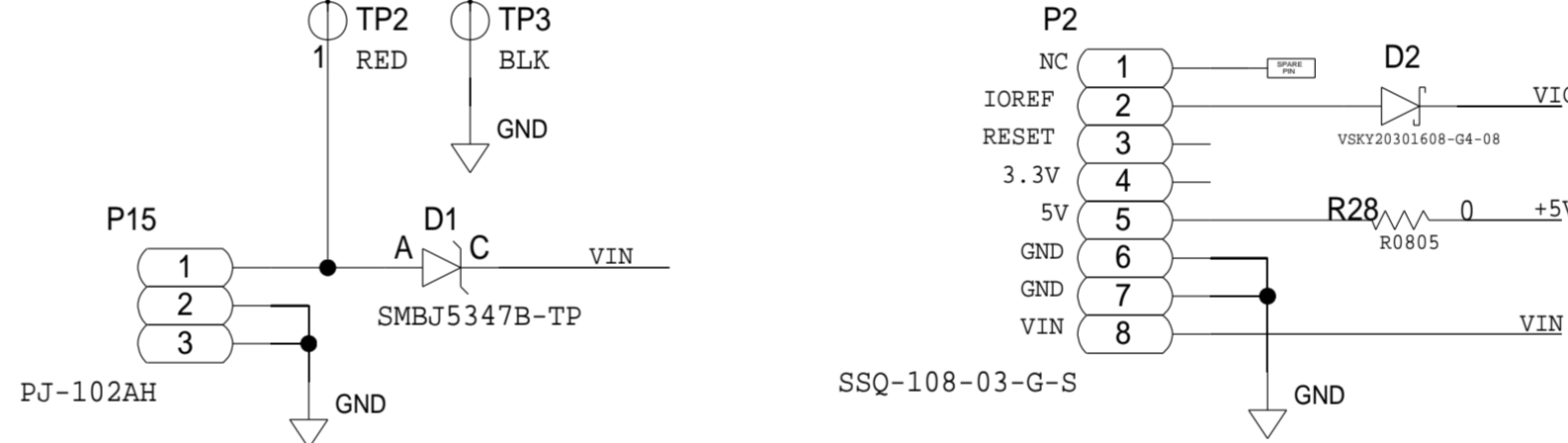


DEFAULT SLAVE ADDRESS: 0X52

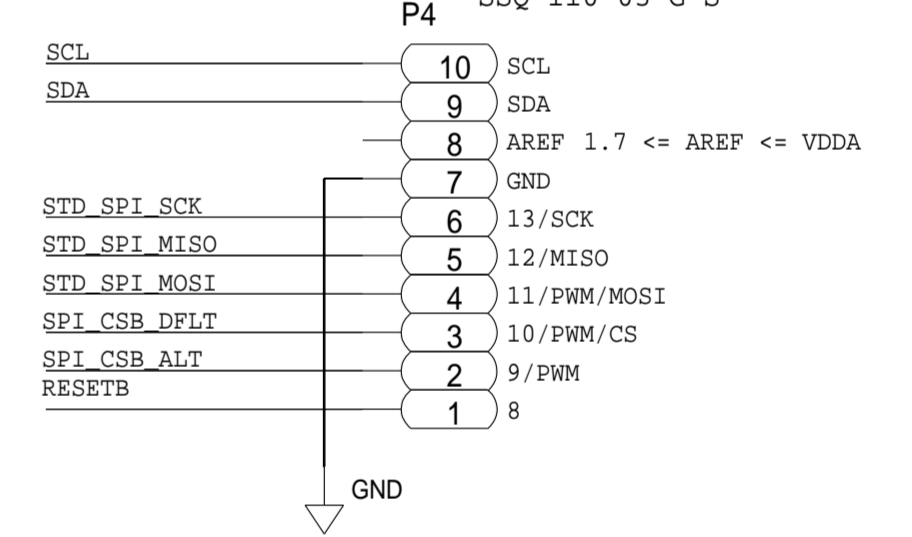
ARDUINO CONNECTOR



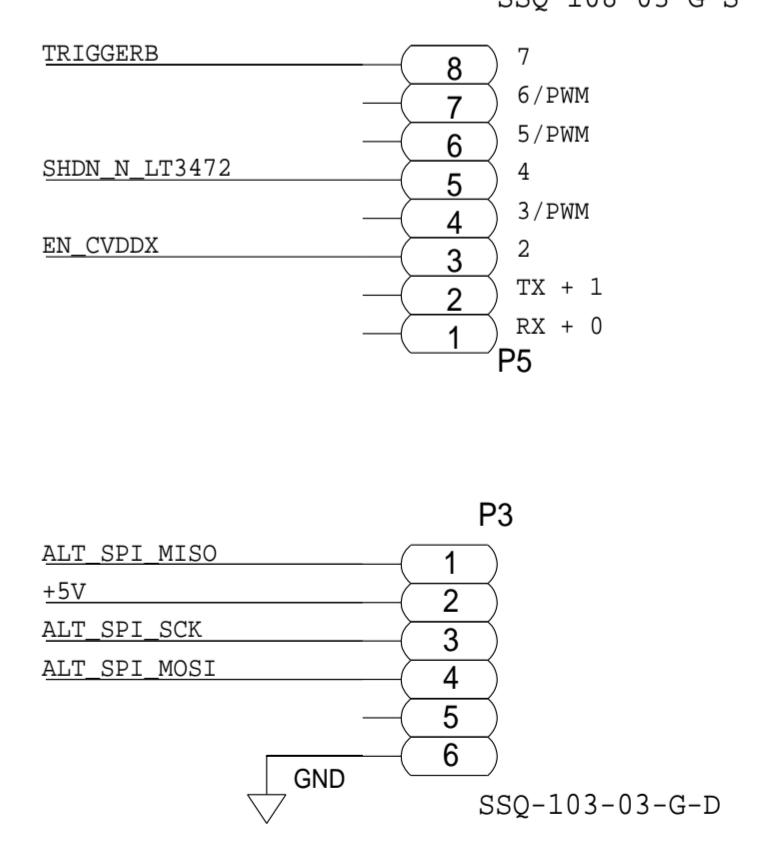
POWER



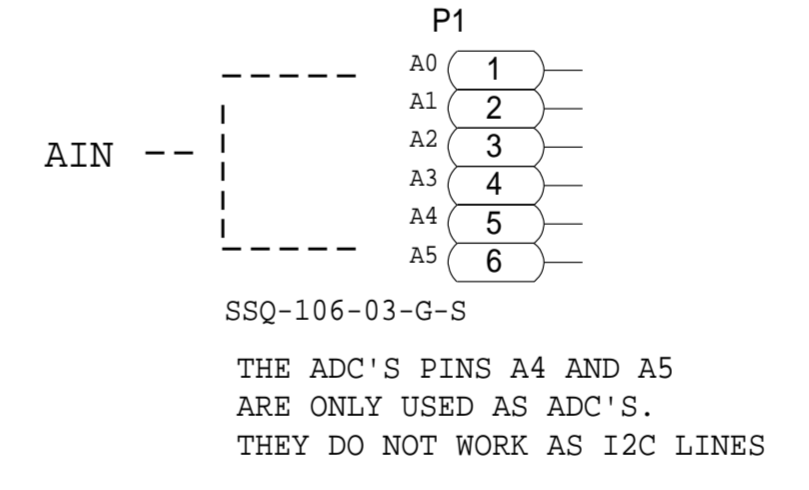
DIGI1



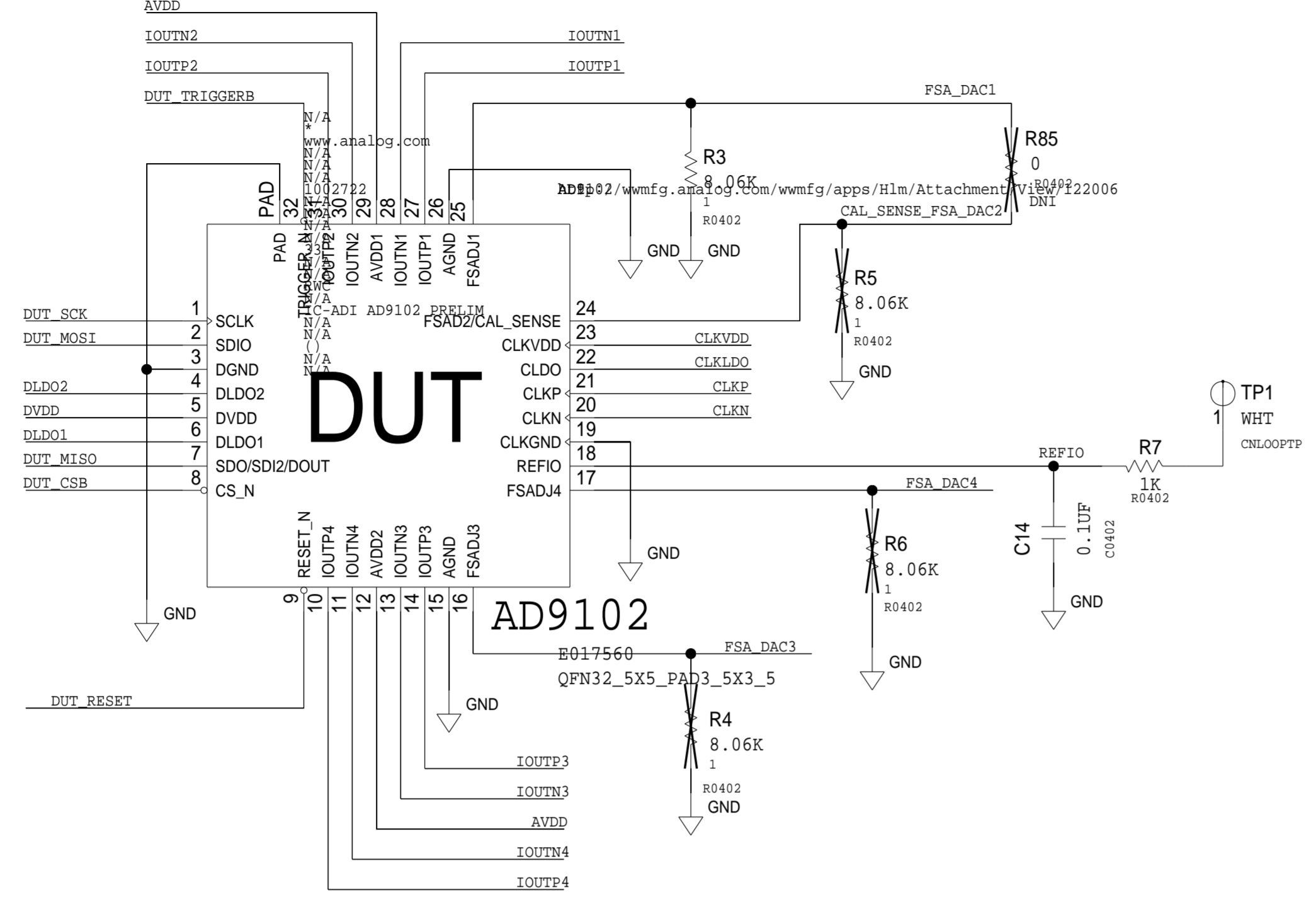
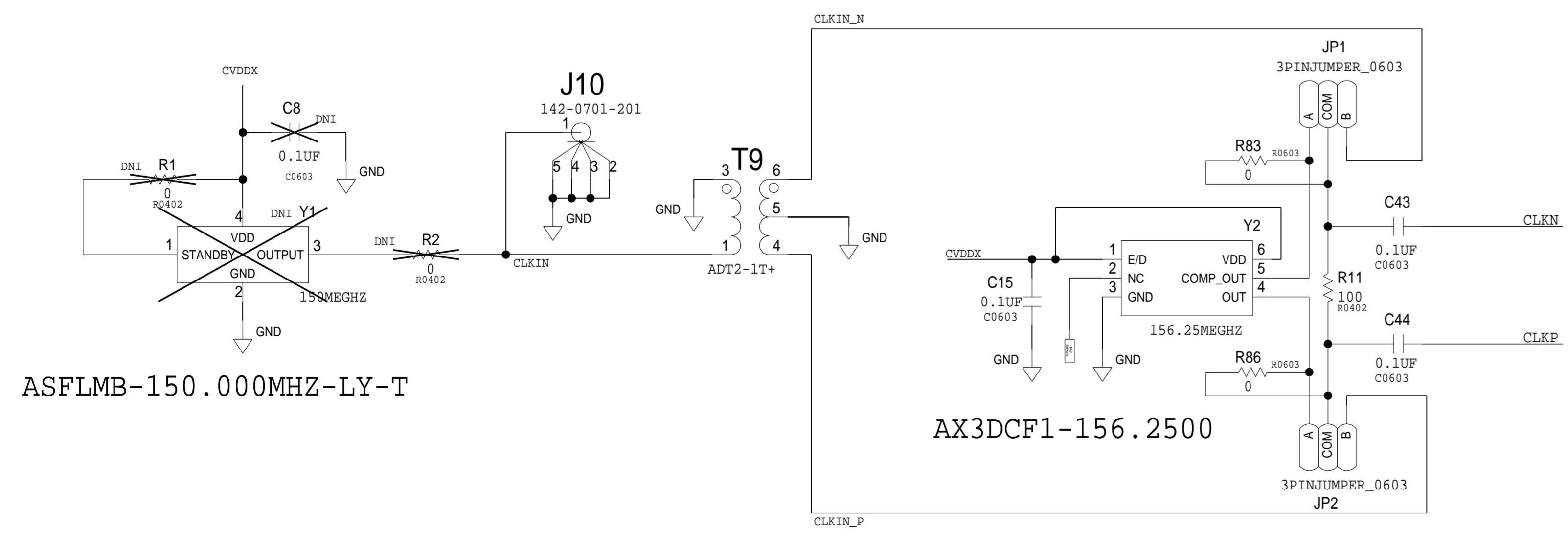
DIGI0



ANALOG



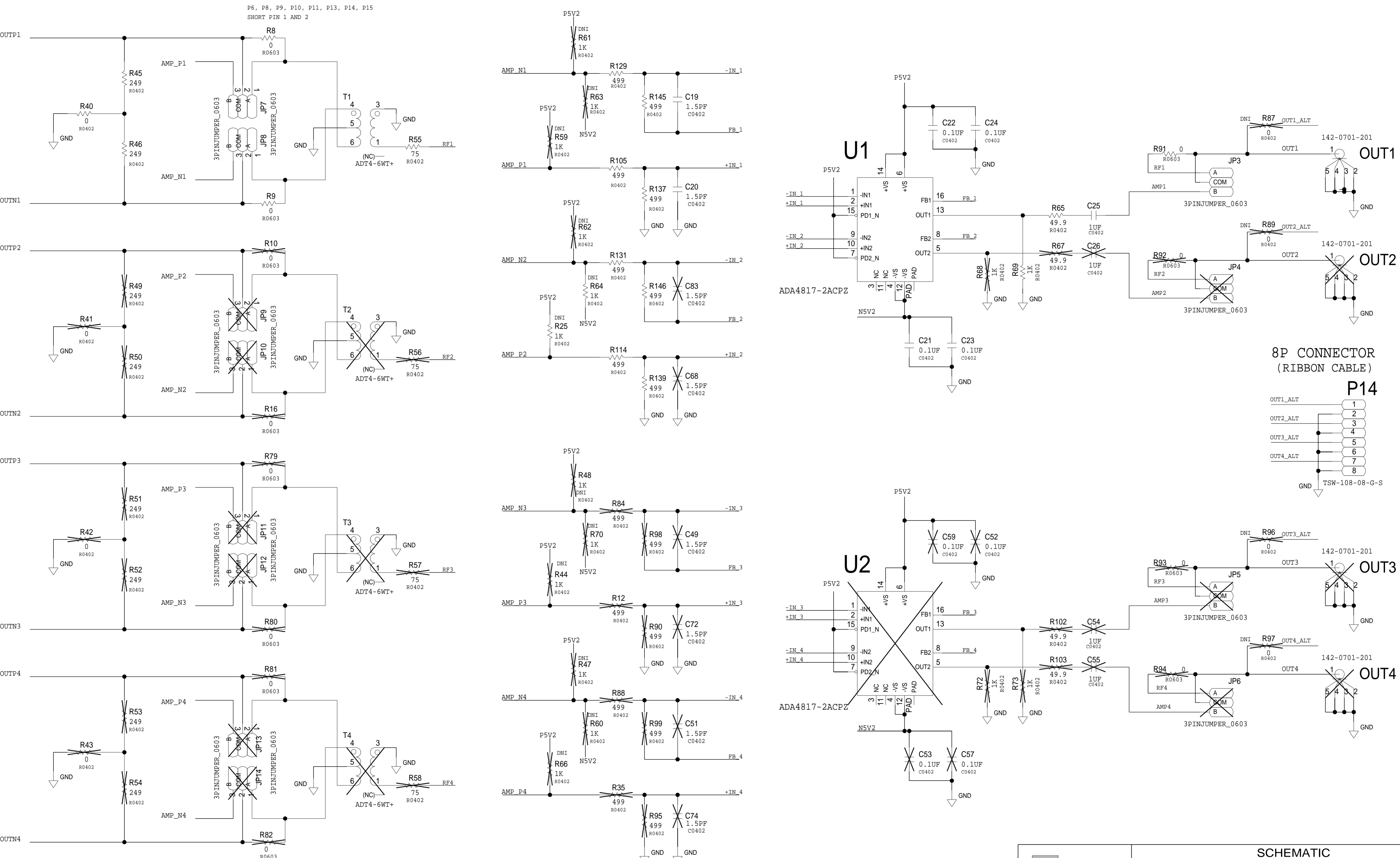
EXT CLK INPUT / ON-BOARD OSCILLATOR



SCHEMATIC			
		HW TYPE : Customer Evaluation Z Product(s) : AD9102-ARDZ-EBZ : N/A	
DESIGN VIEW	<DESIGN_VIEW>	DRAWING NO.	REV
PTD ENGINEER	S CABATAN	02_064200_02	B
SIZE	SCALE	SHEET	OF
D	1:1	2	4

THIS DRAWING IS THE PROPERTY OF ANALOG DEVICES INC. IT IS NOT TO BE REPRODUCED OR COPIED IN WHOLE OR IN PART, OR USED IN FURNISHING INFORMATION TO OTHERS, OR FOR ANY OTHER PURPOSE DETRIMENTAL TO THE INTERESTS OF ANALOG DEVICES. THE EQUIPMENT SHOWN HEREIN MAY BE PROTECTED BY PATENTS OWNED OR CONTROLLED BY ANALOG DEVICES.

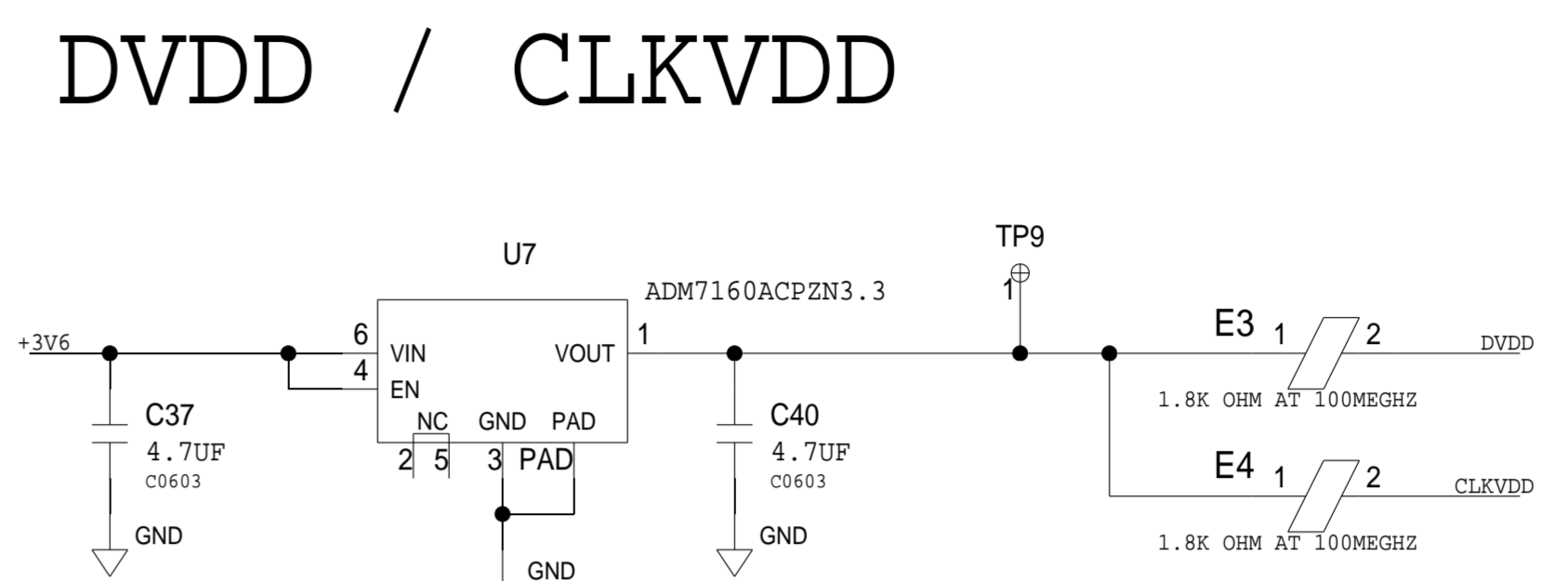
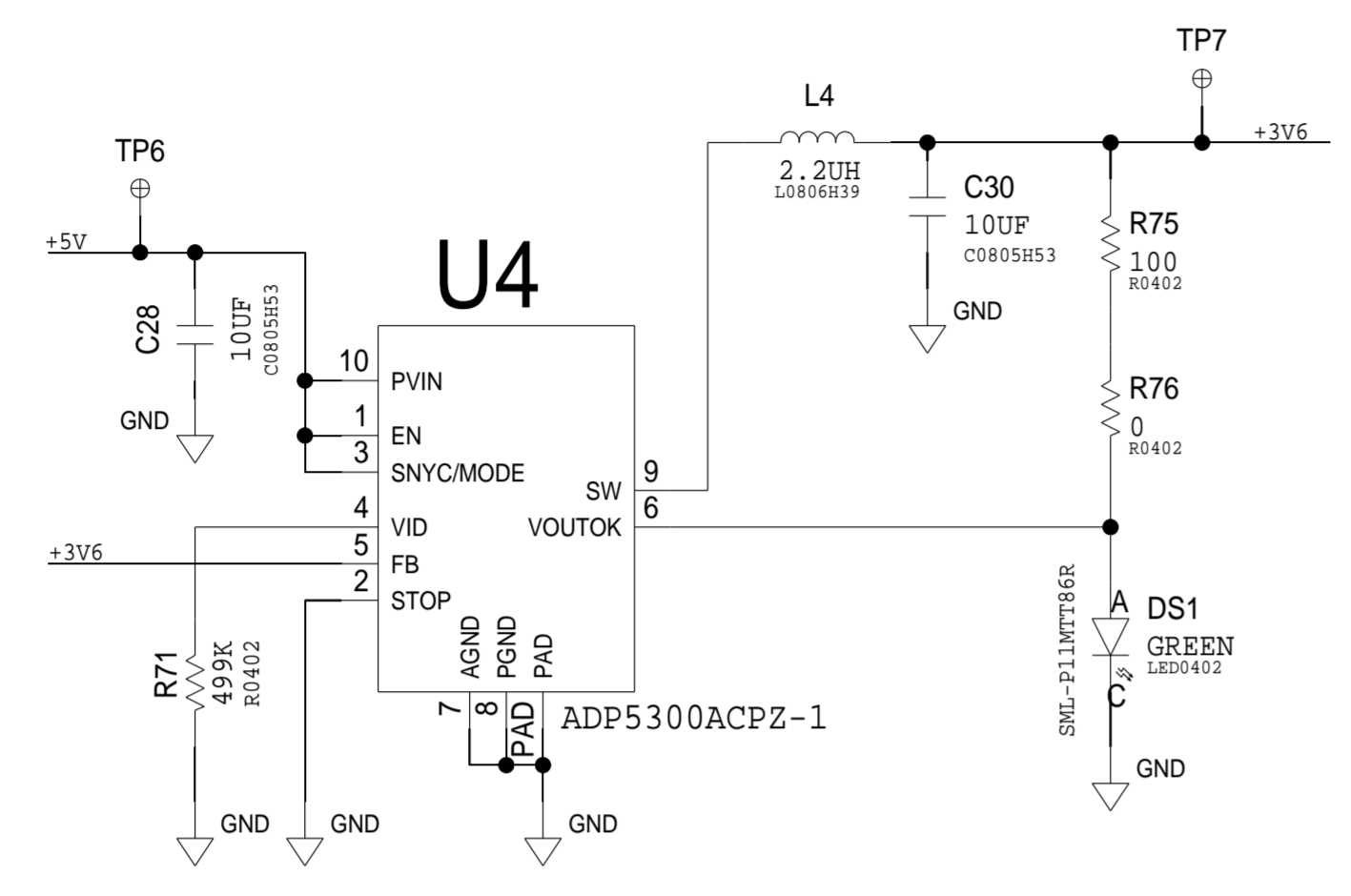
OUTPUT STAGE



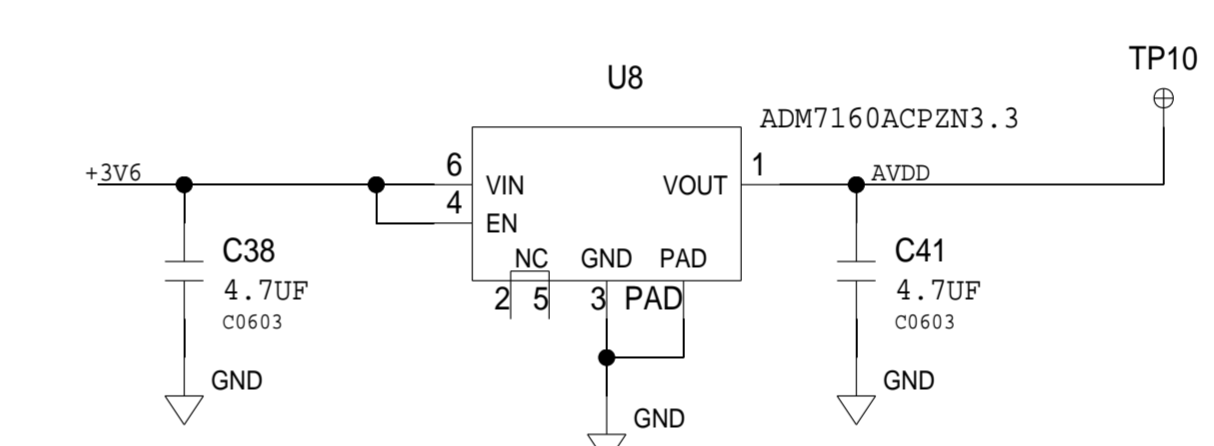
REVISIONS			
REV	DESCRIPTION	DATE	APPROVED

SCHEMATIC			
		HW TYPE : Customer Evaluation Z Product(s) : AD9102-ARDZ-EBZ : N/A	
DESIGN VIEW <DESIGN_VIEW>	DRAWING NO. 02_064200_02	REV B	
PTD ENGINEER S CABATAN	SIZE D	SCALE 1:1	SHEET 3 OF 4

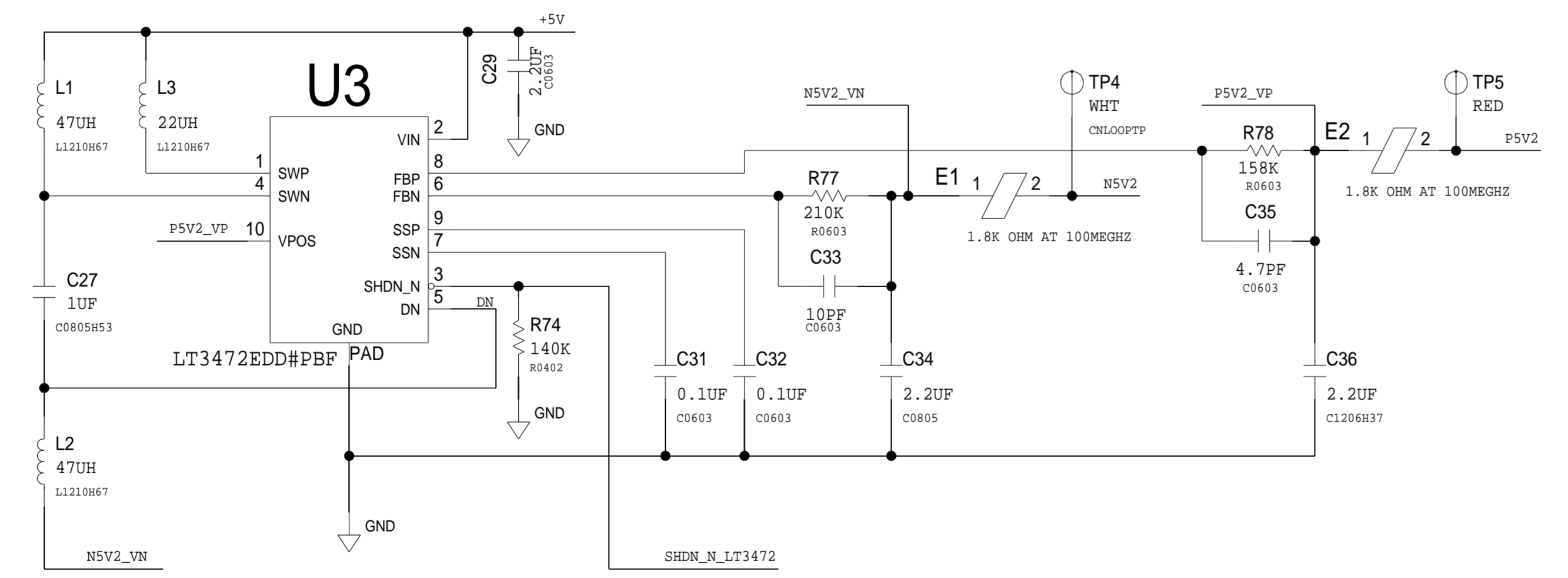
REVISIONS			
REV	DESCRIPTION	DATE	APPROVED



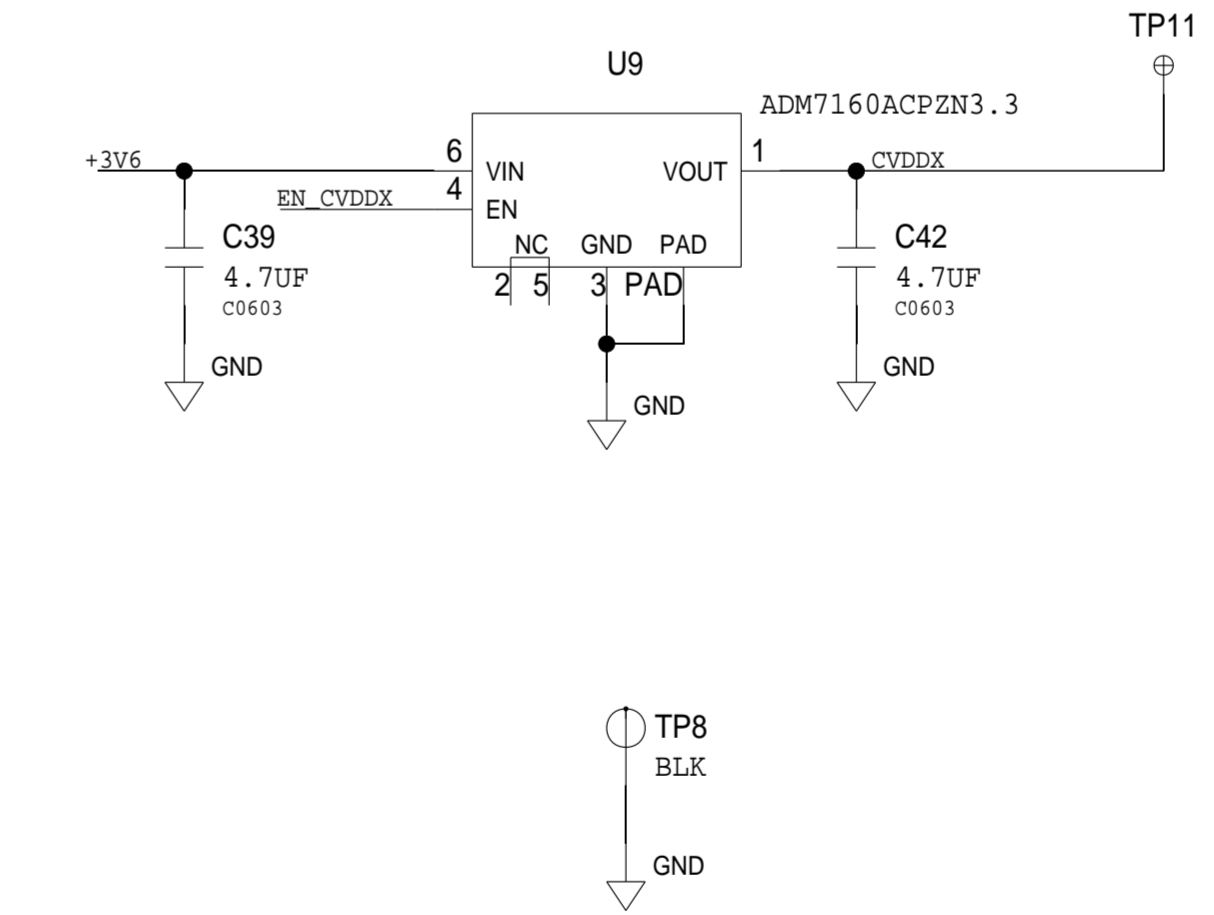
AVDD1/2



ADA4817 SUPPLY RAILS



CVDDX



	SCHEMATIC		
	HW TYPE : Customer Evaluation Z Product(s) : AD9102-ARDZ-EBZ : N/A		
	DESIGN VIEW <DESIGN_VIEW>	DRAWING NO. 02_064200_02	REV B
	PTD ENGINEER S CABATAN	SIZE D	SCALE 1:1
		SHEET 4 OF 4	