

8 7 6 5 4 3 2 1

THIS DRAWING IS THE PROPERTY OF ANALOG DEVICES INC. IT IS NOT TO BE REPRODUCED OR COPIED, IN WHOLE OR IN PART, OR USED IN FURNISHING INFORMATION TO OTHERS, OR FOR ANY OTHER PURPOSE DETRIMENTAL TO THE INTERESTS OF ANALOG DEVICES. THE EQUIPMENT SHOWN HEREON MAY BE PROTECTED BY PATENTS OWNED OR CONTROLLED BY ANALOG DEVICES.

REVISIONS			
REV	DESCRIPTION	DATE	APPROVED
A	INITIAL RELEASE	26APR23	L.PERRAULT


====> IMPORTANT: DO NOT HOT-PLUG VDD <=====

CIRCUIT RECOMMENDED OPERATING CONDITIONS:

- VDD: 20-50V
- DRAIN CURRENT: 5A MAX
- ECB TRIP POINT: 6A TYPICAL
- DRAIN/GATE PULSE WIDTH: <300US
- DRAIN/GATE PULSE DUTY-CYCLE: <20%

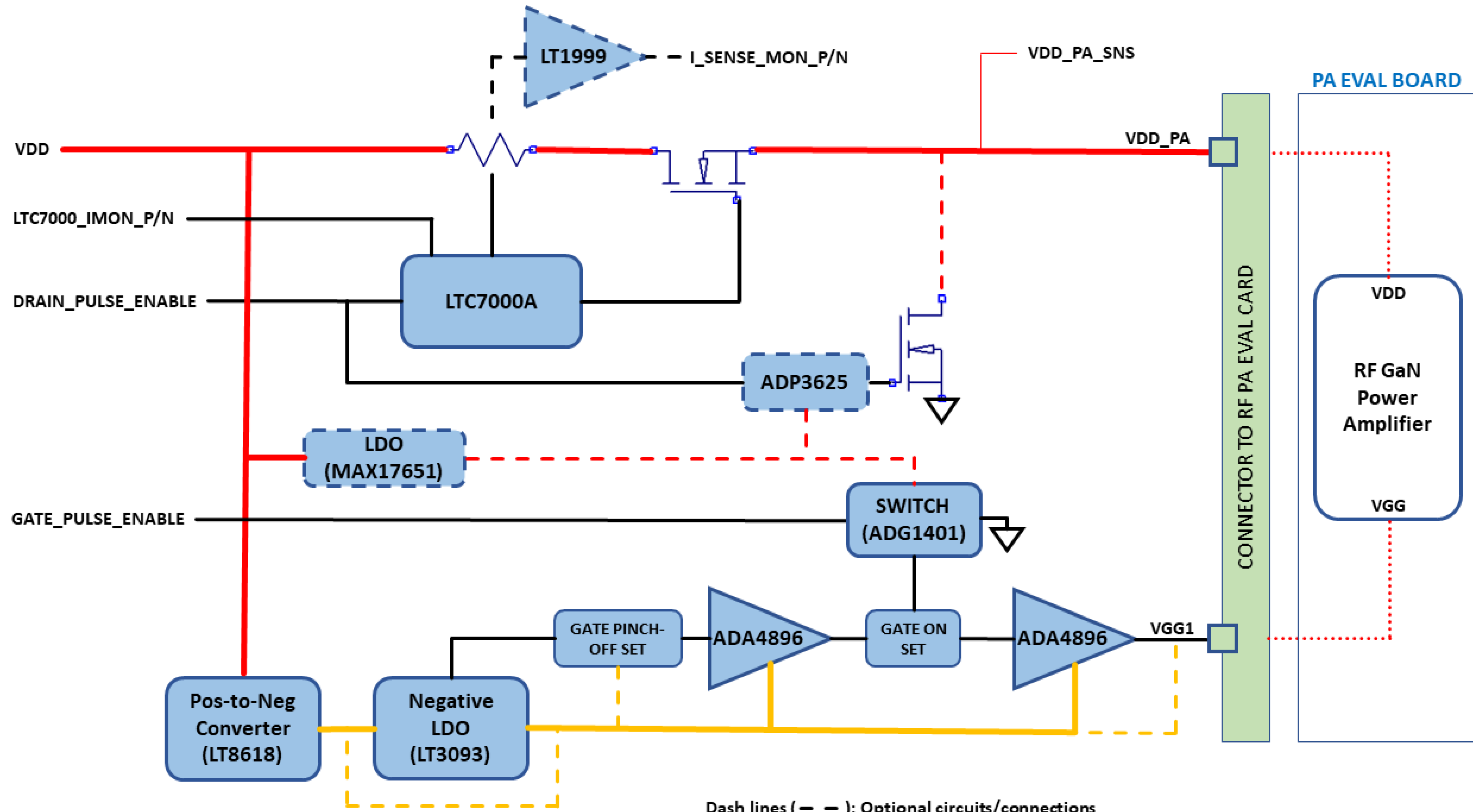
NOTES

- 1.RESISTORS WITH THE DUAL-STARS (**) TAG ARE HIGH-POWER PULSE PROOF RESISTORS. NONETHELESS, IT IS IMPORTANT TO:
 - > DO NOT EXCEED RECOMMENDED PULSE-WIDTH;
 - > LIMIT DUTY-CYCLE TO KEEP THE RESISTOR AVERAGE POWER DISSIPATION BELOW RESISTOR RATING.

TEMPLATE ENGINEER -	DATE	SCHEMATIC	 ADI Power by Linear <small>AHEAD OF WHAT'S POSSIBLE™</small>
HARDWARE SERVICES M.VALE	26APR23		
HARDWARE SYSTEMS -		HW TYPE : Customer Evaluation Z Product(s): PULSER PLUS GaN PA BIASING BOARD : LT3093,LTC7000A	
TEST ENGINEER -		<DRAWING_TITLE1> <DRAWING_TITLE2>	
COMPONENT ENGINEER N.CATALAN	26APR23		
TEST PROCESS -			
HARDWARE RELEASE K.JABATAN	26APR23		
DESIGNER J.PANGANIBAN	26APR23	MASTER PROJECT TEMPLATE <DRAWING_TITLE6>	TESTER TEMPLATE -
PTD ENGINEER L.PERRAULT	18SEP23	DRAWING NO. 02_072726	
CHECKER -		REV. C	
		UNLESS OTHERWISE SPECIFIED DIMENSIONS ARE IN INCHES	
		TOLERANCES	
		DECIMALS X.XX +0.010 X.XXX +0.005	FRACTIONS +1/32
		ANGLES +2	
		SIZE D	SCALE 1:1
		CODE ID NO. CodeID	SHEET 1 OF 5

BLOCK DIAGRAM

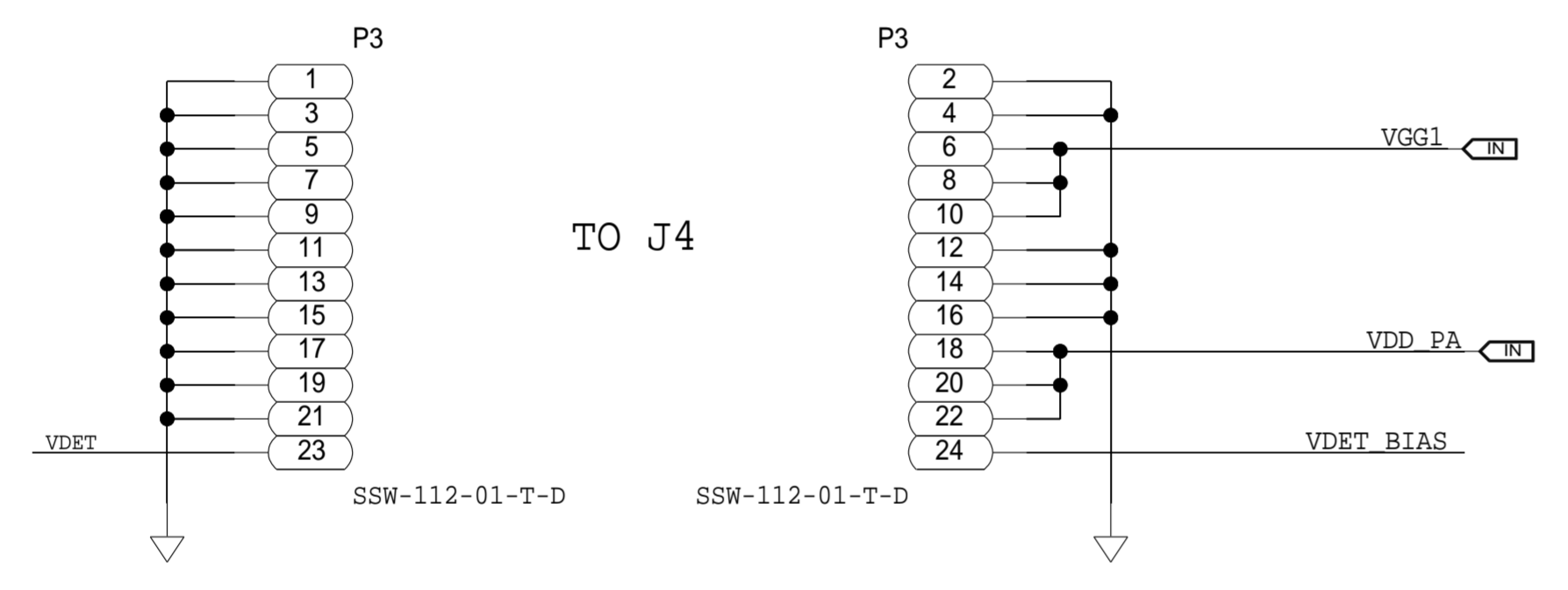
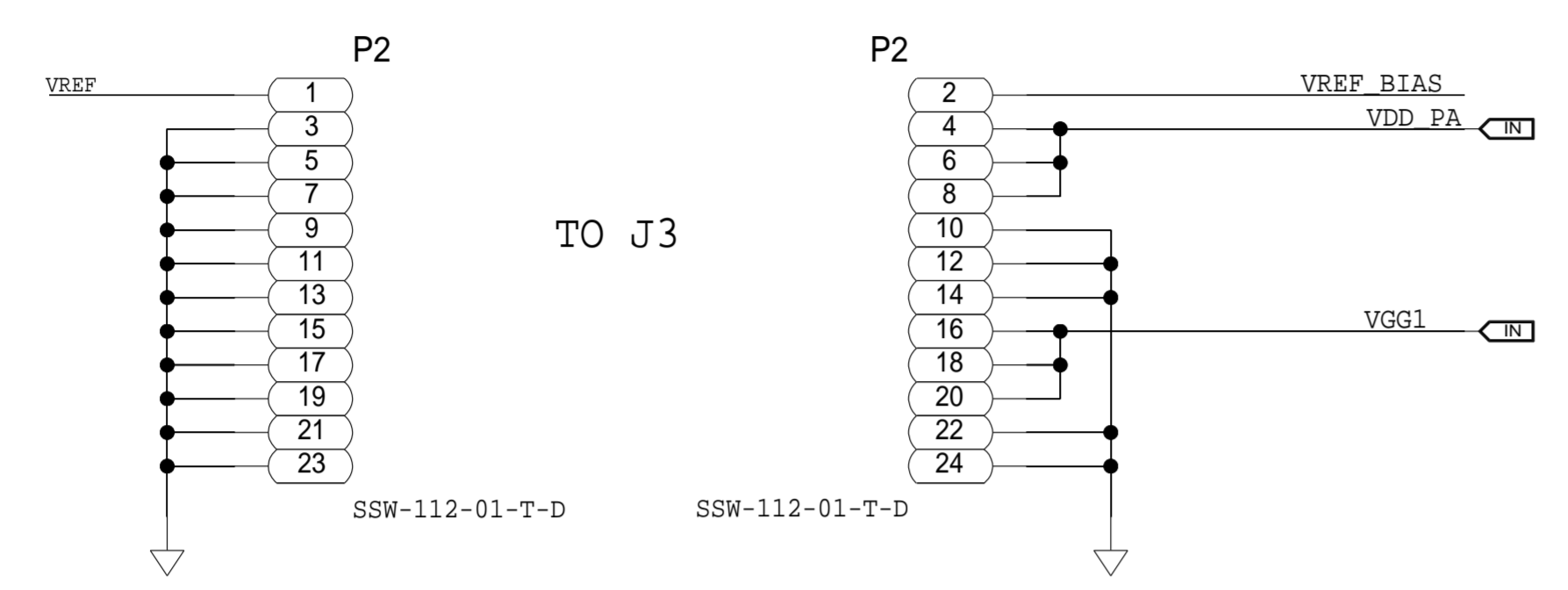
REVISIONS			
REV	DESCRIPTION	DATE	APPROVED



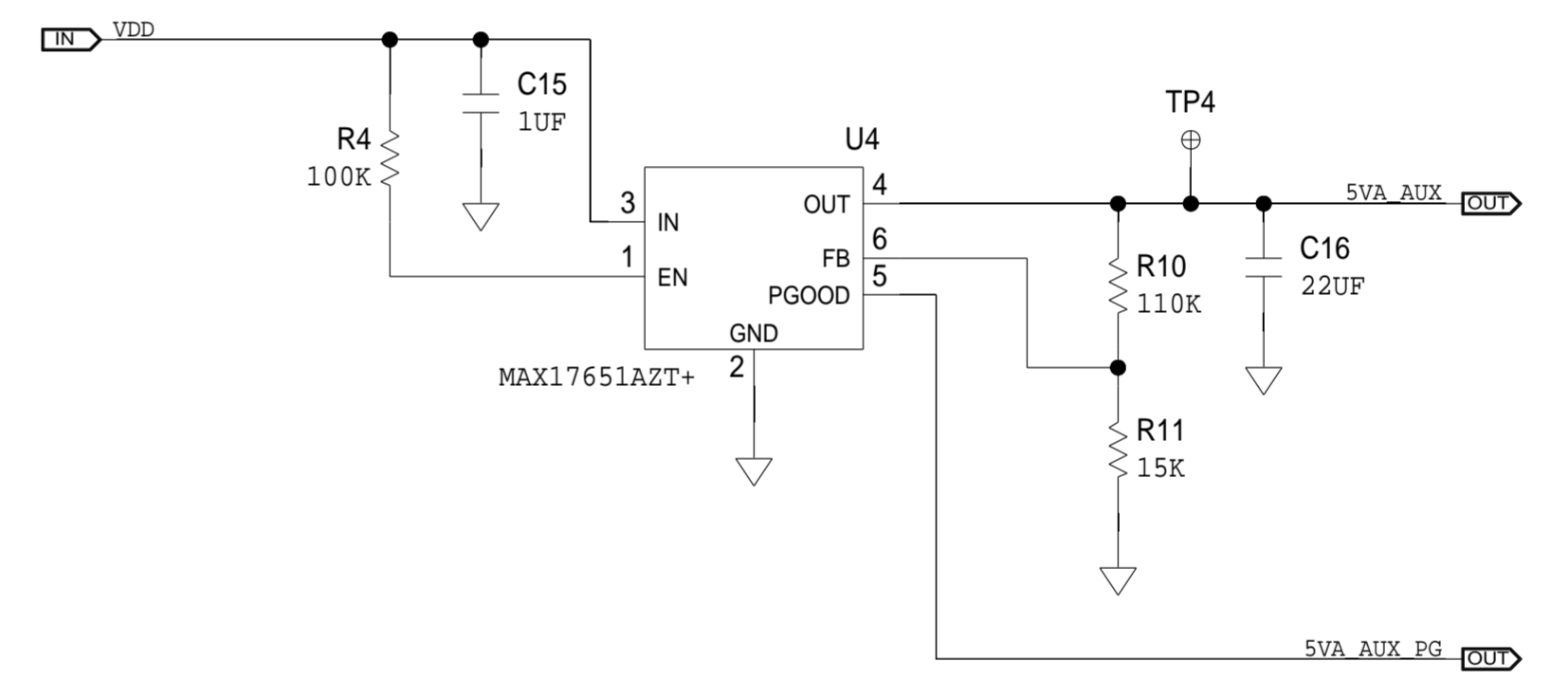
	SCHEMATIC		
	HW TYPE : Customer Evaluation Z Product(s) : PULSER PLUS GaN PA BIASING BOARD : LT3093, LTC7000A		
	DESIGN VIEW <DESIGN_VIEW>	DRAWING NO. 02_072726	REV C
	PTD ENGINEER L. PERREULT	SIZE D	SCALE 1:1
		SHEET 2 OF 5	

REVISIONS			
REV	DESCRIPTION	DATE	APPROVED

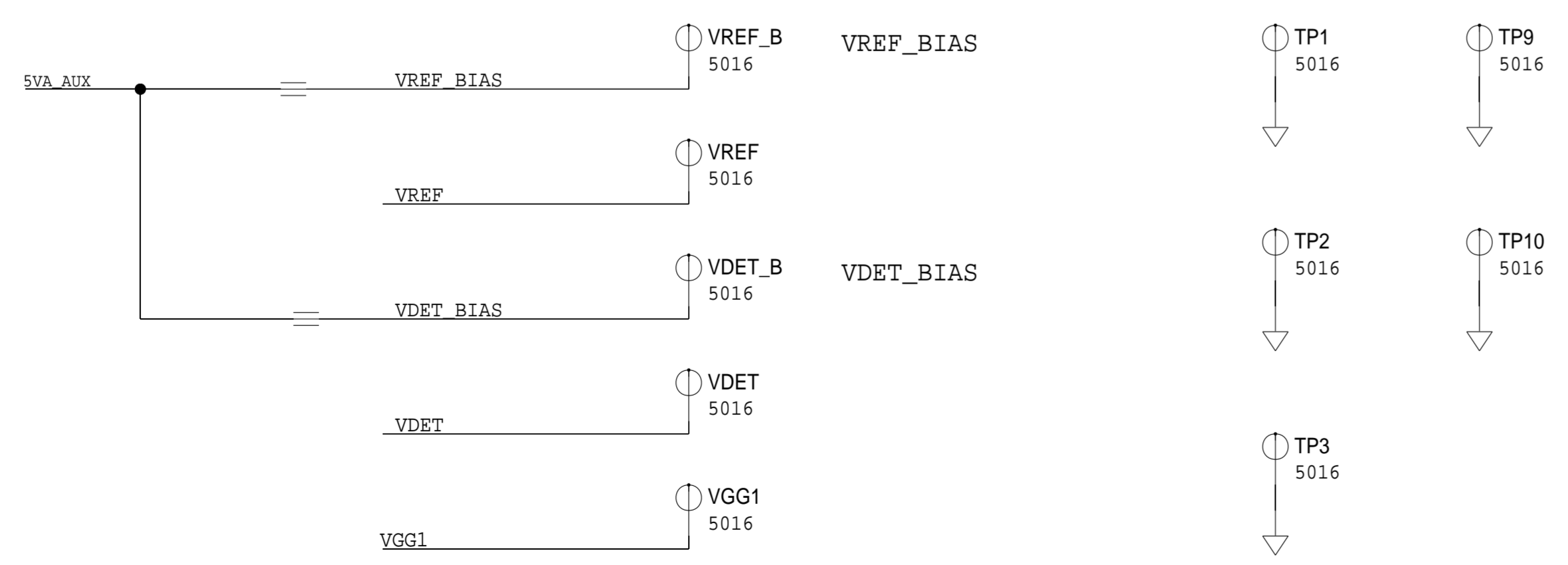
CONNECTORS TO RF AMP EVAL



AUXILIARY SUPPLY

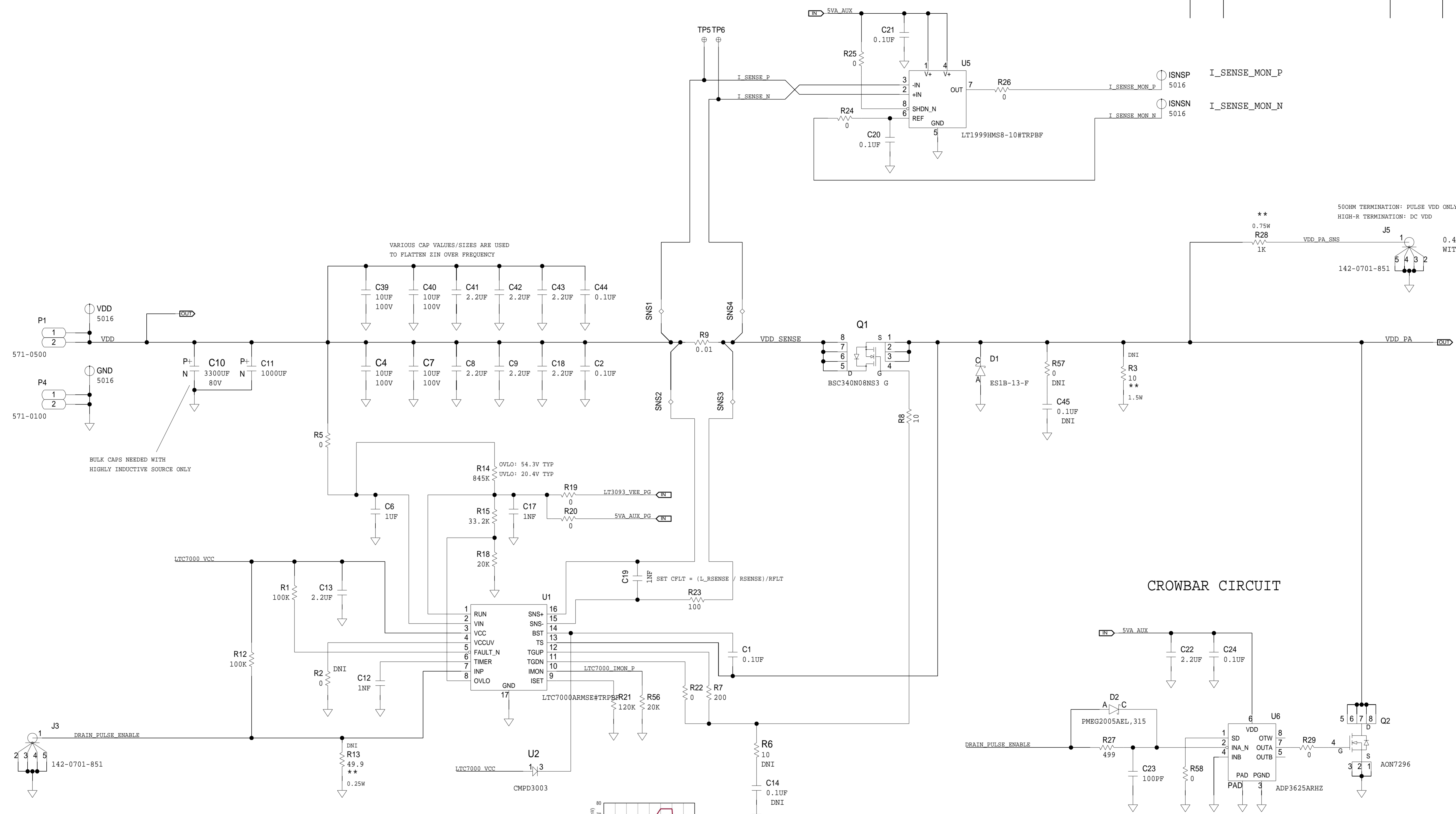


TEST POINTS



	SCHEMATIC		
	HW TYPE : Customer Evaluation Z Product(s) : PULSER PLUS GaN PA BIASING BOARD : LT3093, LTC7000A		
DESIGN VIEW <DESIGN_VIEW>	DRAWING NO. 02_072726	REV C	
PTD ENGINEER L. PERREAULT	SIZE D	SCALE 1:1	SHEET 3 OF 5

REVISIONS			
REV	DESCRIPTION	DATE	APPROVED



BULK CAPS NEEDED WITH HIGHLY INDUCTIVE SOURCE ONLY

** 500HM TERMINATION: PULSE VDD ONLY
HIGH-R TERMINATION: DC VDD
0.476V/V WITH 500HM
J5 142-0701-851

CROWBAR CIRCUIT

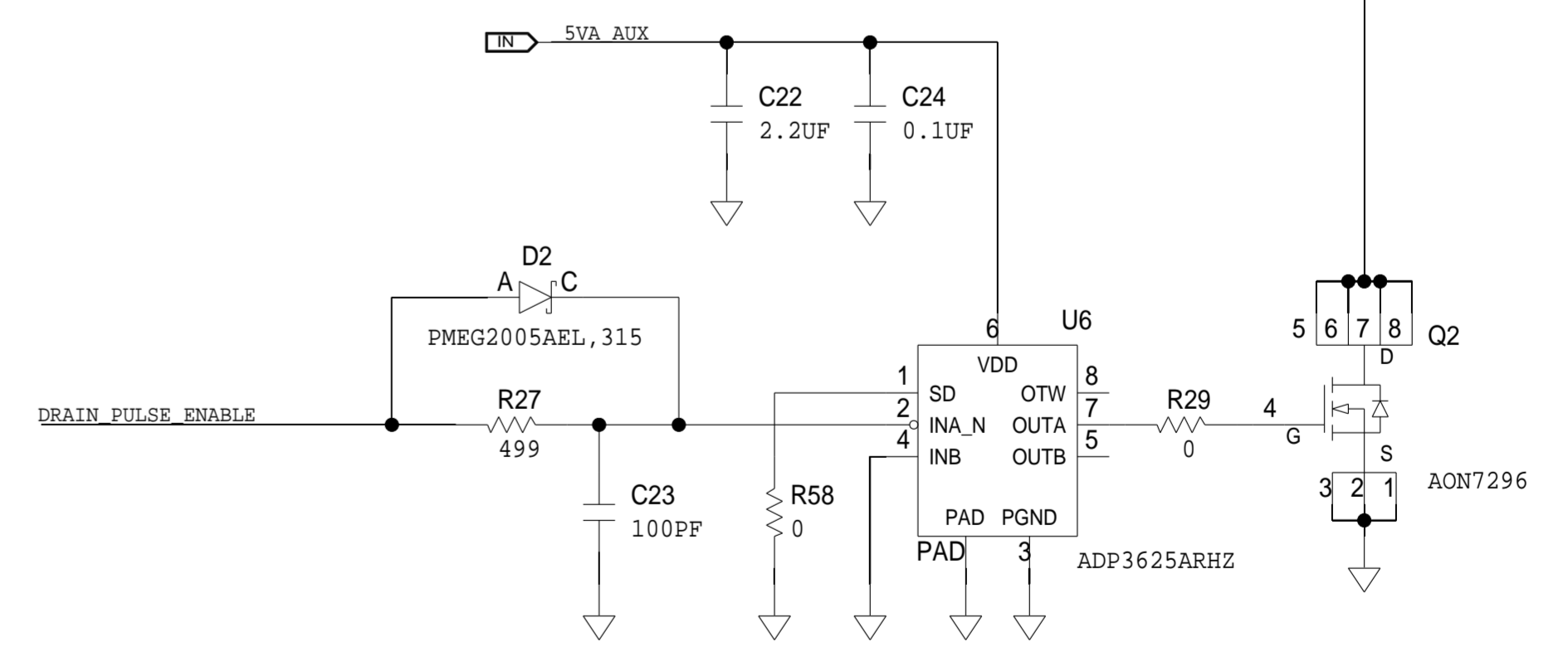
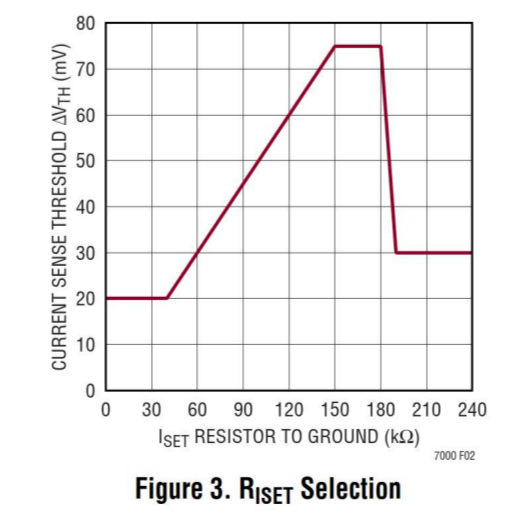


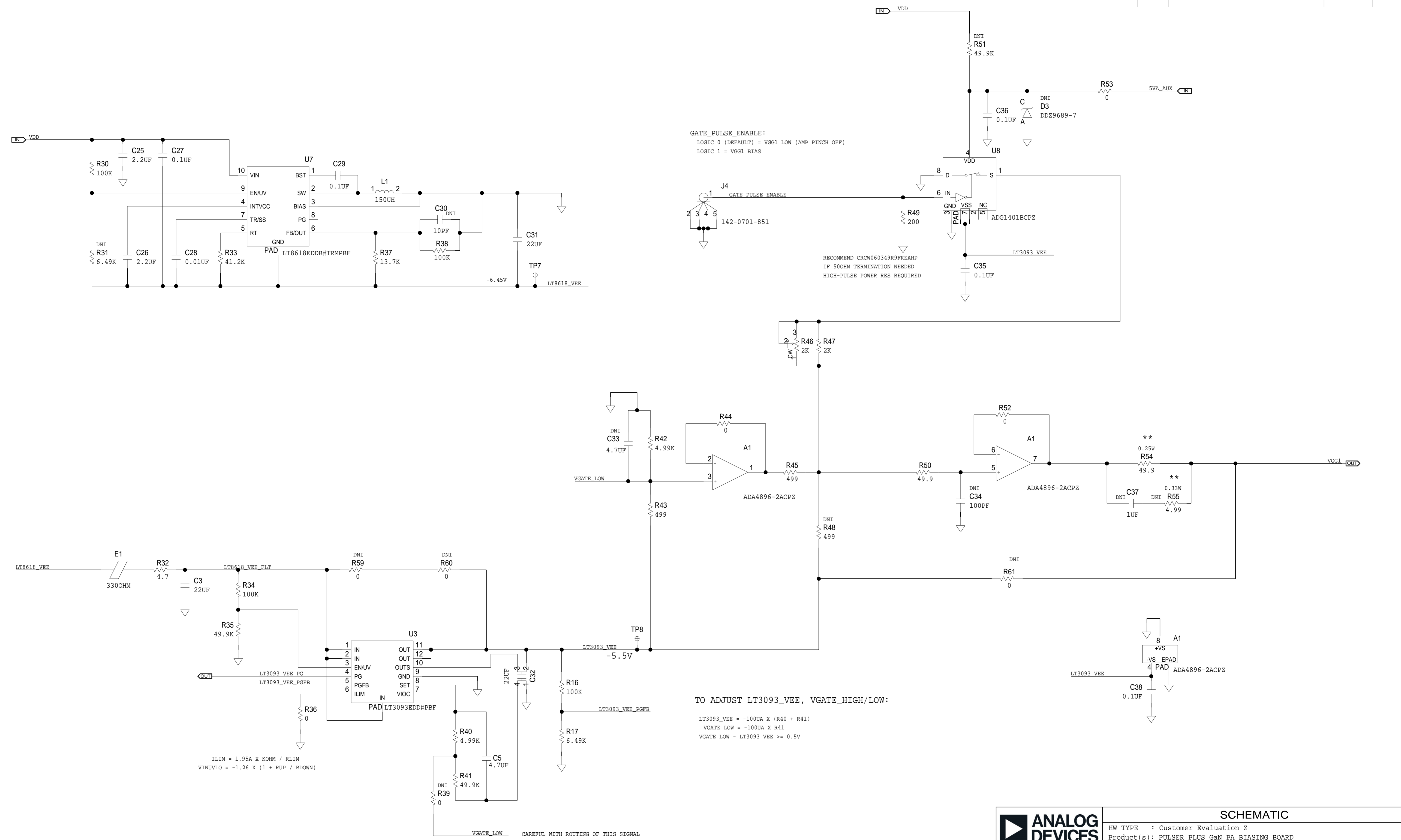
Table 1. Fault Time for Typical Capacitors

CTIMER (nF)	Tover current (µs)	Tcool_down (s)	Retry Duty Cycle %
<0.1	~3	0.0005	~0.6
1	16	0.025	0.06
10	142	0.250	0.06
100	1402	2.500	0.06



	SCHEMATIC		
	HW TYPE : Customer Evaluation Z Product(s) : PULSER PLUS GaN PA BIASING BOARD : LT3093, LTC7000A		
DESIGN VIEW <DESIGN_VIEW>	DRAWING NO. 02_072726	REV C	
PTD ENGINEER L. PERREAULT	SIZE D	SCALE 1:1	SHEET 4 OF 5

REVISIONS			
REV	DESCRIPTION	DATE	APPROVED



	SCHEMATIC		
	HW TYPE : Customer Evaluation Z Product(s) : PULSER PLUS GaN PA BIASING BOARD : LT3093, LTC7000A		
DESIGN VIEW <DESIGN_VIEW>	DRAWING NO. 02_072726	REV C	
PTD ENGINEER L. PERREAULT	SIZE D	SCALE 1:1	SHEET 5 OF 5

THIS DRAWING IS THE PROPERTY OF ANALOG DEVICES INC. IT IS NOT TO BE REPRODUCED OR COPIED, IN WHOLE OR IN PART, OR USED IN ANY MANNER WITHOUT THE WRITTEN PERMISSION OF ANALOG DEVICES. THE EQUIPMENT SHOWN HEREON MAY BE PROTECTED BY PATENTS OWNED OR CONTROLLED BY ANALOG DEVICES.