

6

5

4

3

2

1

REVISION RECORD			
LTR	ECO NO:	APPROVED:	DATE:

HC\_1 Must be able to carry 3.75A    HC\_2 Tracks must be able to carry 1.5A

D

D

C

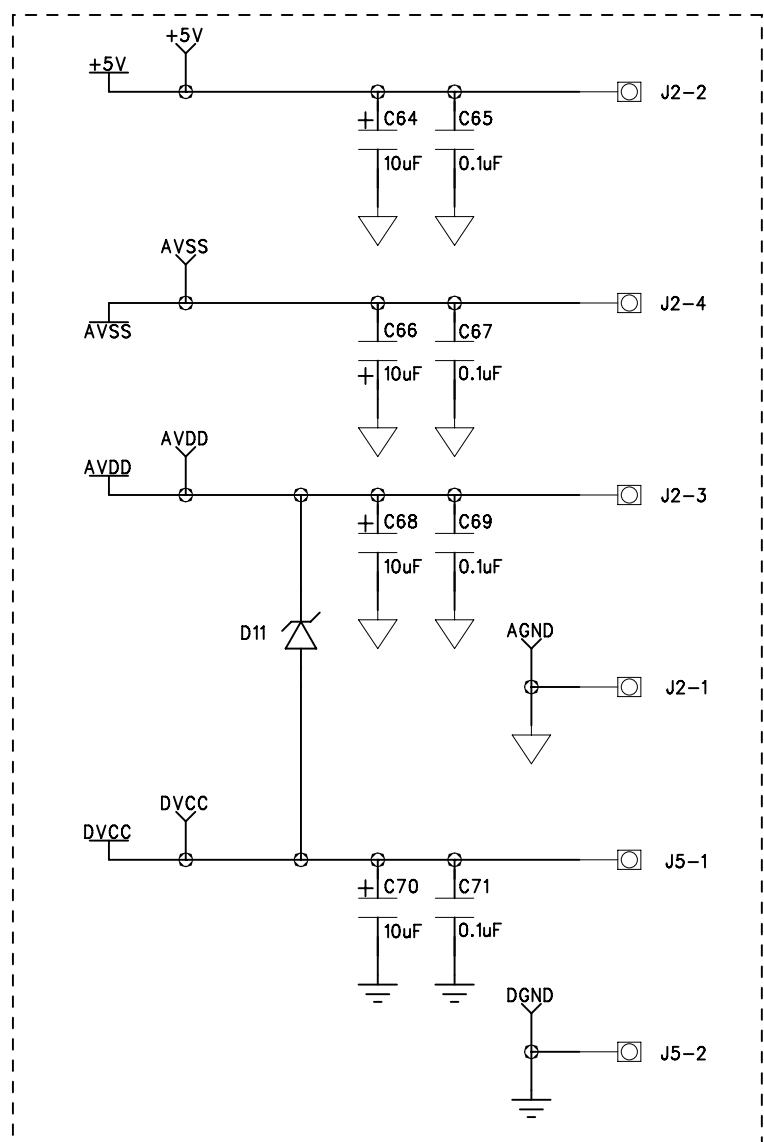
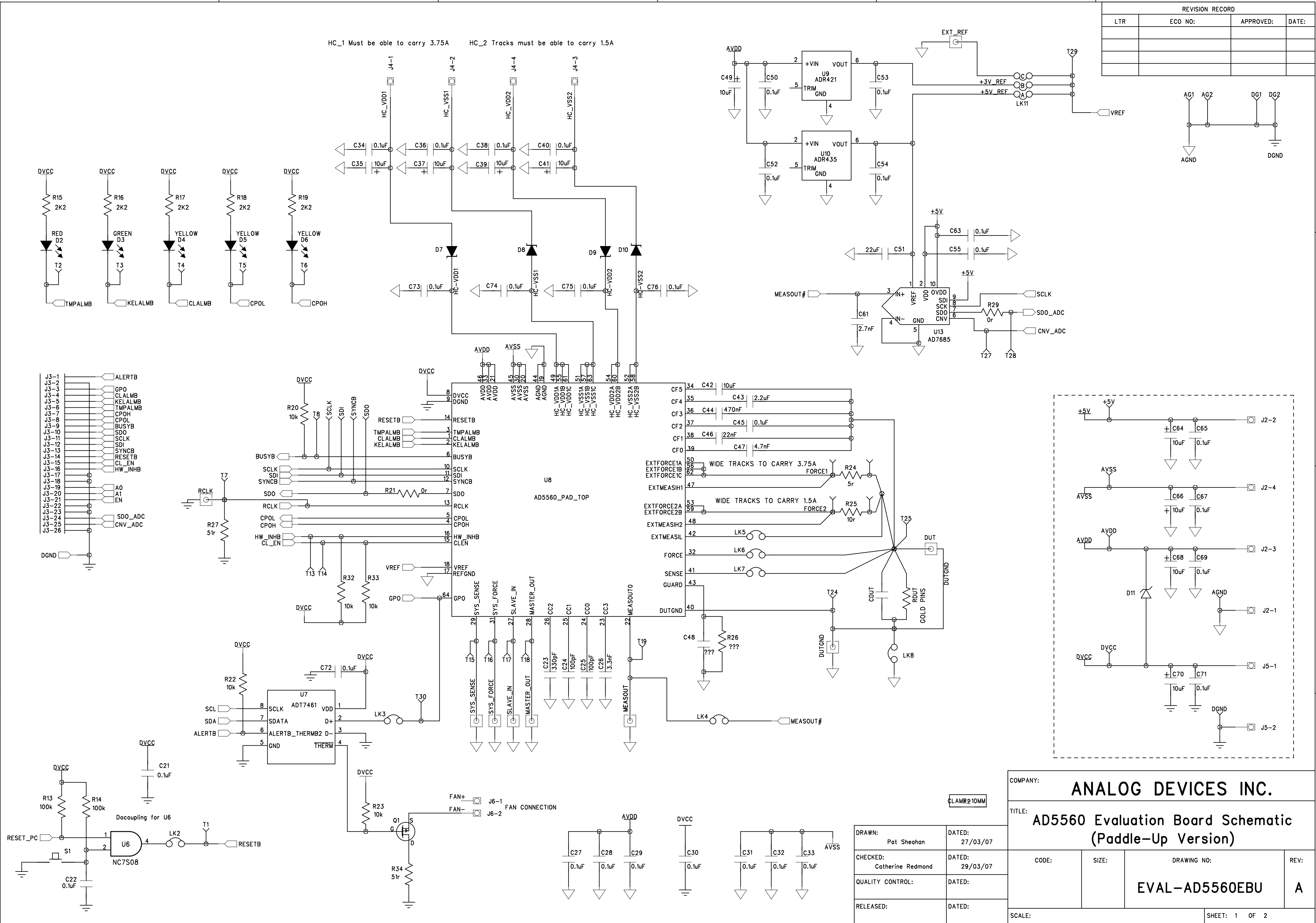
C

B

B

A

A



COMPANY: <b>ANALOG DEVICES INC.</b>			
TITLE: <b>AD5560 Evaluation Board Schematic (Paddle-Up Version)</b>			
CODE:	SIZE:	DRAWING NO:	REV: <b>A</b>
EVAL-AD5560EBU			
SCALE:			SHEET: 1 OF 2

DRAWN: Pat Sheahan	DATED: 27/03/07
CHECKED: Catherine Redmond	DATED: 29/03/07
QUALITY CONTROL:	DATED:
RELEASED:	DATED:

CLAMR210MM

6

5

4

3

2

1

REVISION RECORD			
LTR	ECO NO:	APPROVED:	DATE:

D

D

C

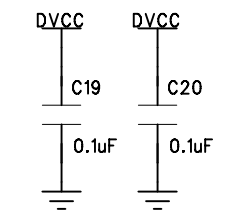
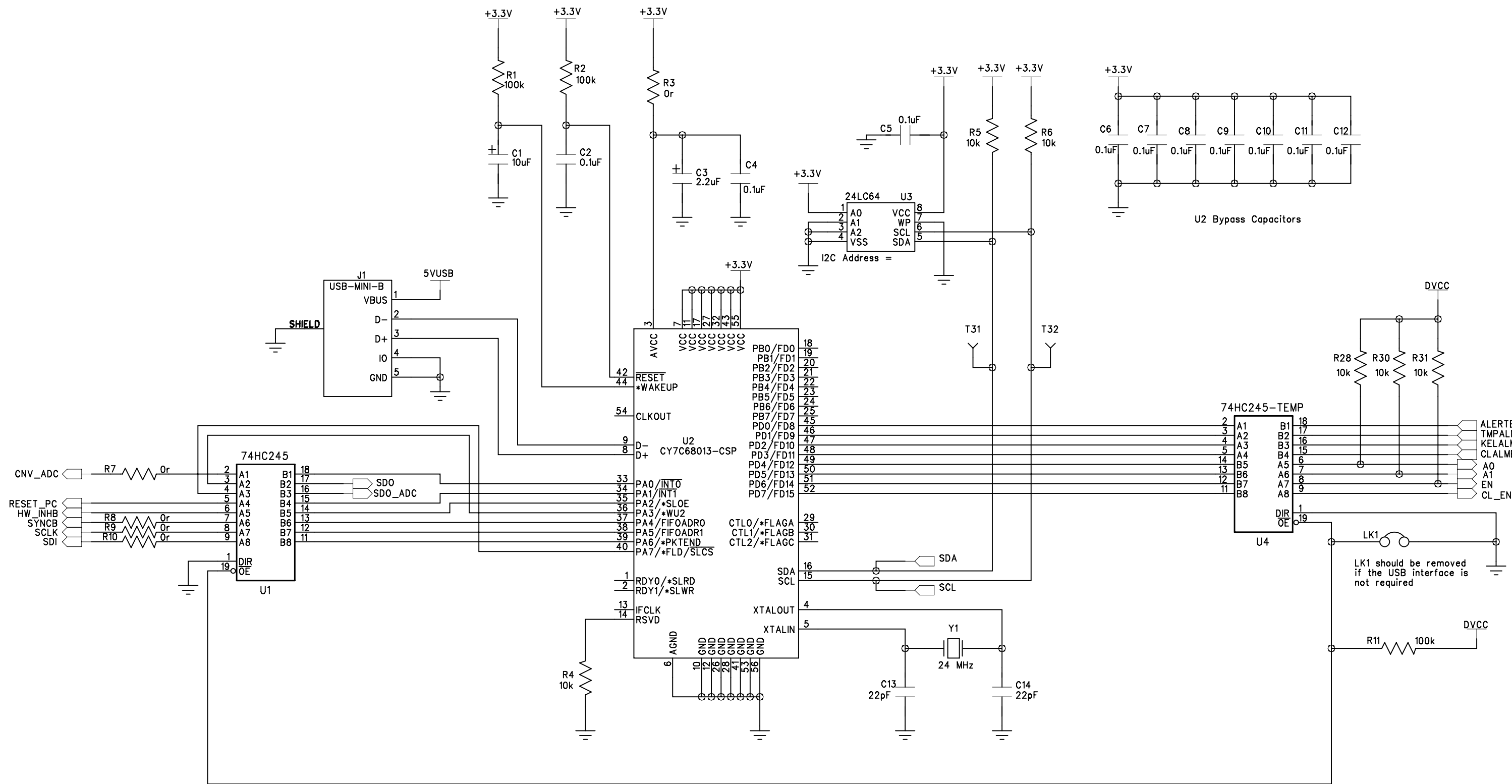
C

B

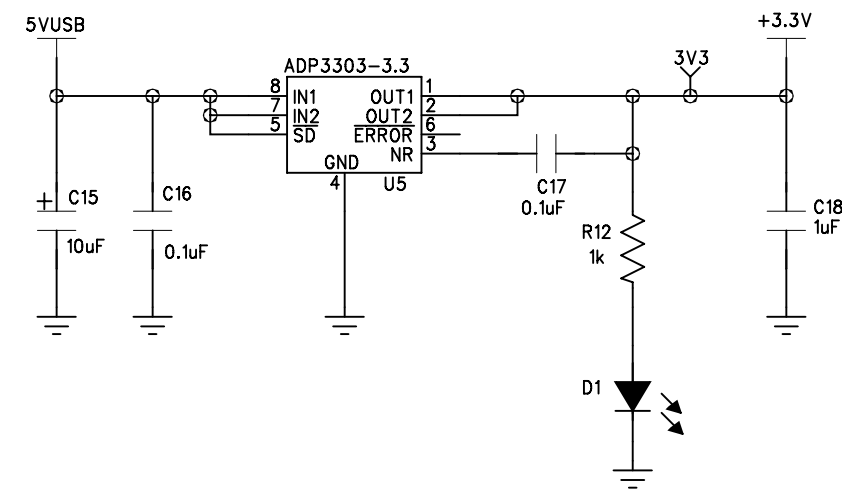
B

A

A



DECOUPLING FOR U1, U4



COMPANY: ANALOG DEVICES INC.			
TITLE: AD5560 Evaluation Board Schematic (Paddle-Up Version)			
DRAWN: Pat Sheahan	DATED: 27/03/07	CODE:	SIZE:
CHECKED: Catherine Redmond	DATED: 29/03/07	DRAWING NO:	
QUALITY CONTROL:	DATED:	EVAL-AD5560EBU	
RELEASED:	DATED:	REV: A	SCALE:
SHEET: 2 OF 2			