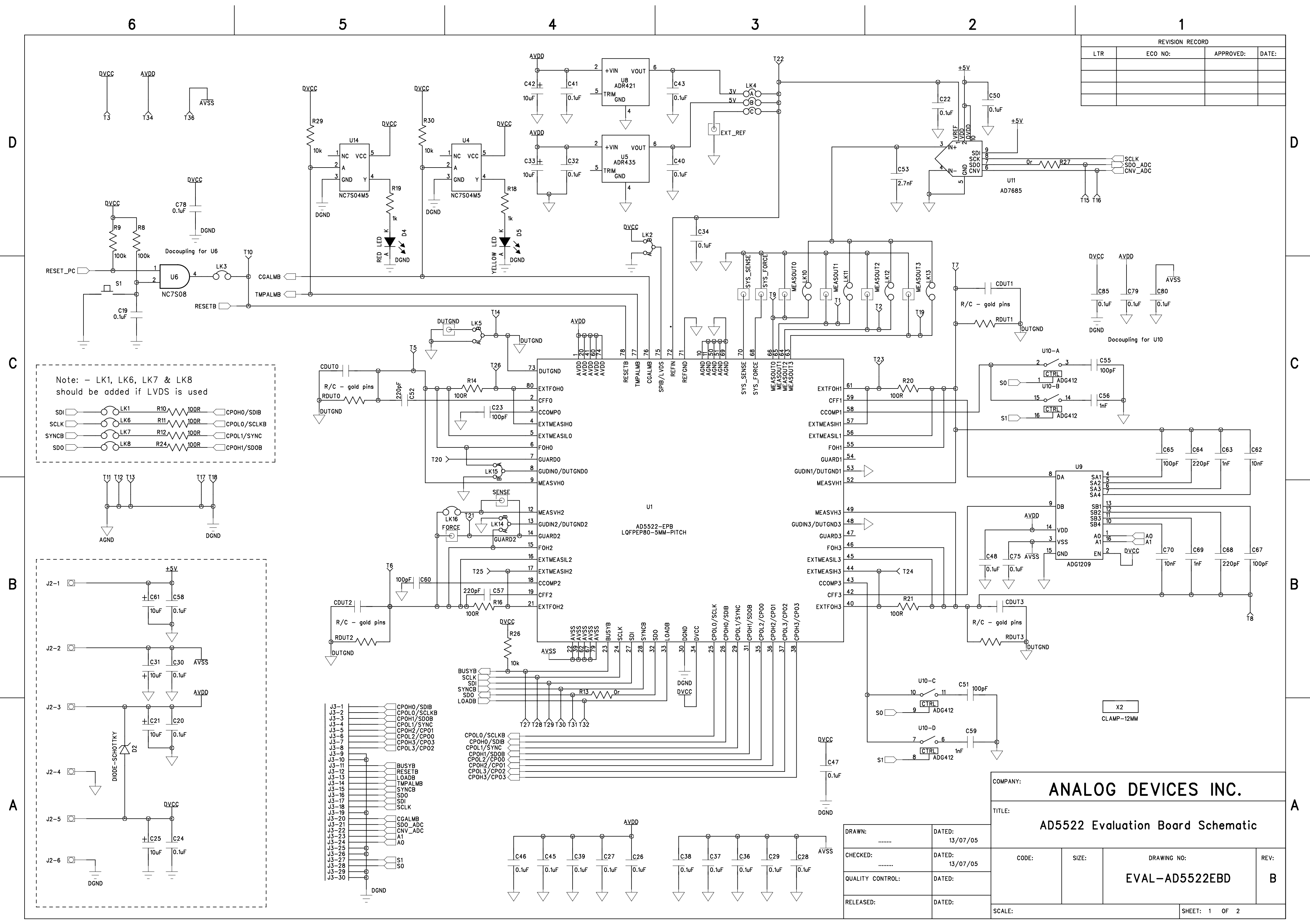


REVISION RECORD			
LTR	ECO NO:	APPROVED:	DATE:



Note: - LK1, LK6, LK7 & LK8 should be added if LVDS is used

SDI	LK1	R10	100R	CPOH0/SDIB
SCLK	LK6	R11	100R	CPOL0/SCLKB
SYNCB	LK7	R12	100R	CPOL1/SYNC
SDO	LK8	R24	100R	CPOH1/SDOB

J3-1	CPOH0/SDIB
J3-2	CPOL0/SCLKB
J3-3	CPOH1/SDOB
J3-4	CPOL1/SYNC
J3-5	CPOH2/CP01
J3-6	CPOL2/CP00
J3-7	CPOH3/CP03
J3-8	CPOL3/CP02
J3-9	BUSYB
J3-10	RESETB
J3-11	LOADB
J3-12	TMPALMB
J3-13	SYNCB
J3-14	SDO
J3-15	SDI
J3-16	SCLK
J3-17	CGALMB
J3-18	SDO_ADC
J3-19	SDI_ADC
J3-20	A1
J3-21	A0
J3-22	S1
J3-23	S0
J3-24	
J3-25	
J3-26	
J3-27	
J3-28	
J3-29	
J3-30	

COMPANY: ANALOG DEVICES INC.			
TITLE: AD5522 Evaluation Board Schematic			
DRAWN:	DATED: 13/07/05	CODE:	SIZE:
CHECKED:	DATED: 13/07/05	DRAWING NO:	REV: B
QUALITY CONTROL:	DATED:	EVAL-AD5522EBD	
RELEASED:	DATED:	SCALE:	SHEET: 1 OF 2

6

5

4

3

2

1

REVISION RECORD			
LTR	ECO NO:	APPROVED:	DATE:

D

D

C

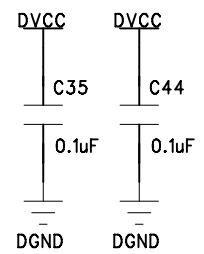
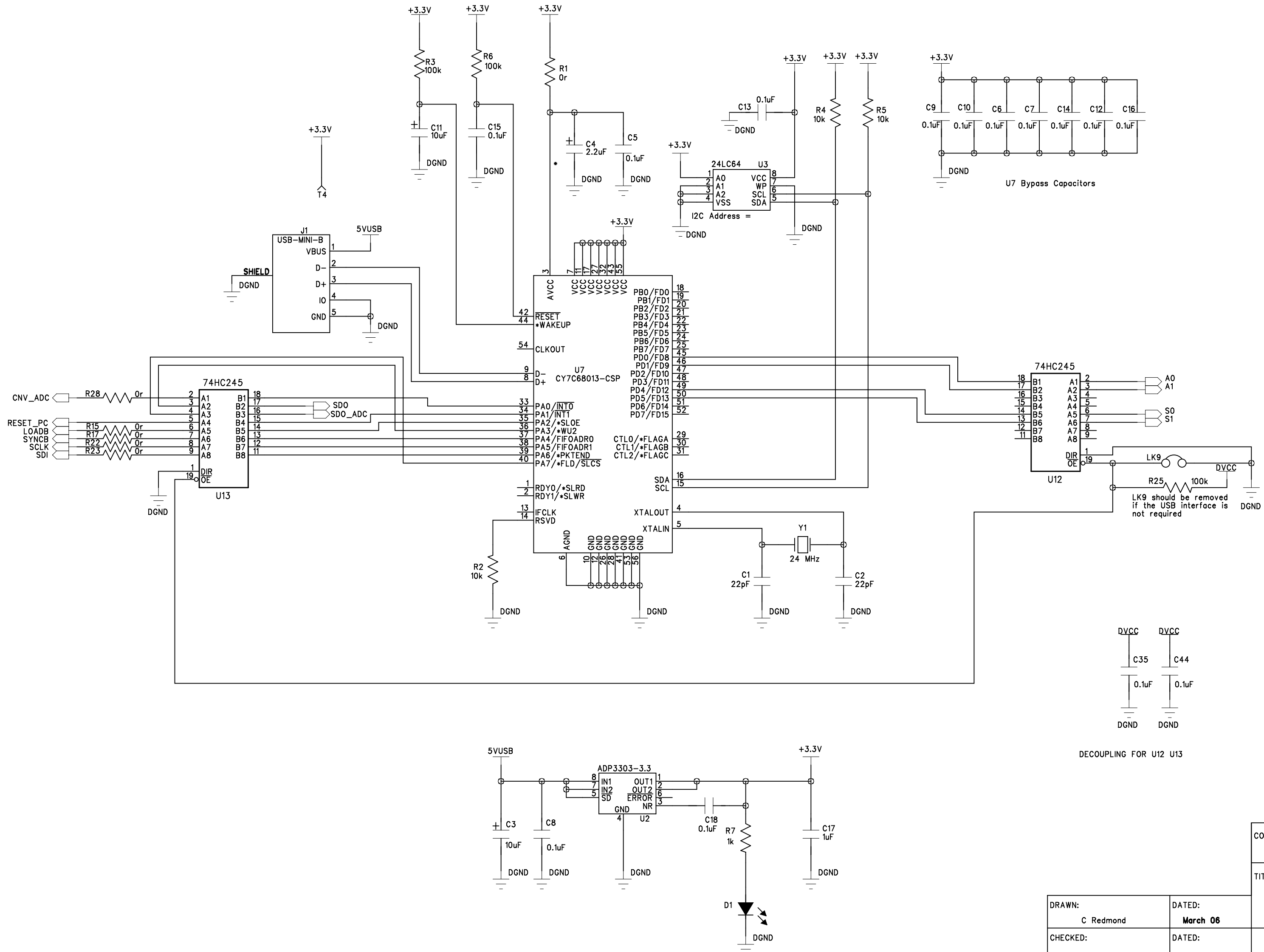
C

B

B

A

A



DECOUPLING FOR U12 U13

COMPANY: ANALOG DEVICES INC.			
TITLE: AD552 Evaluation Board Schematic			
DRAWN: C Redmond	DATED: March 06	CODE:	REV: B
CHECKED:	DATED:	SIZE:	DRAWING NO: EVAL-AD552EBD
QUALITY CONTROL:	DATED:	SHEET: 2 OF 2	
RELEASED:	DATED:		