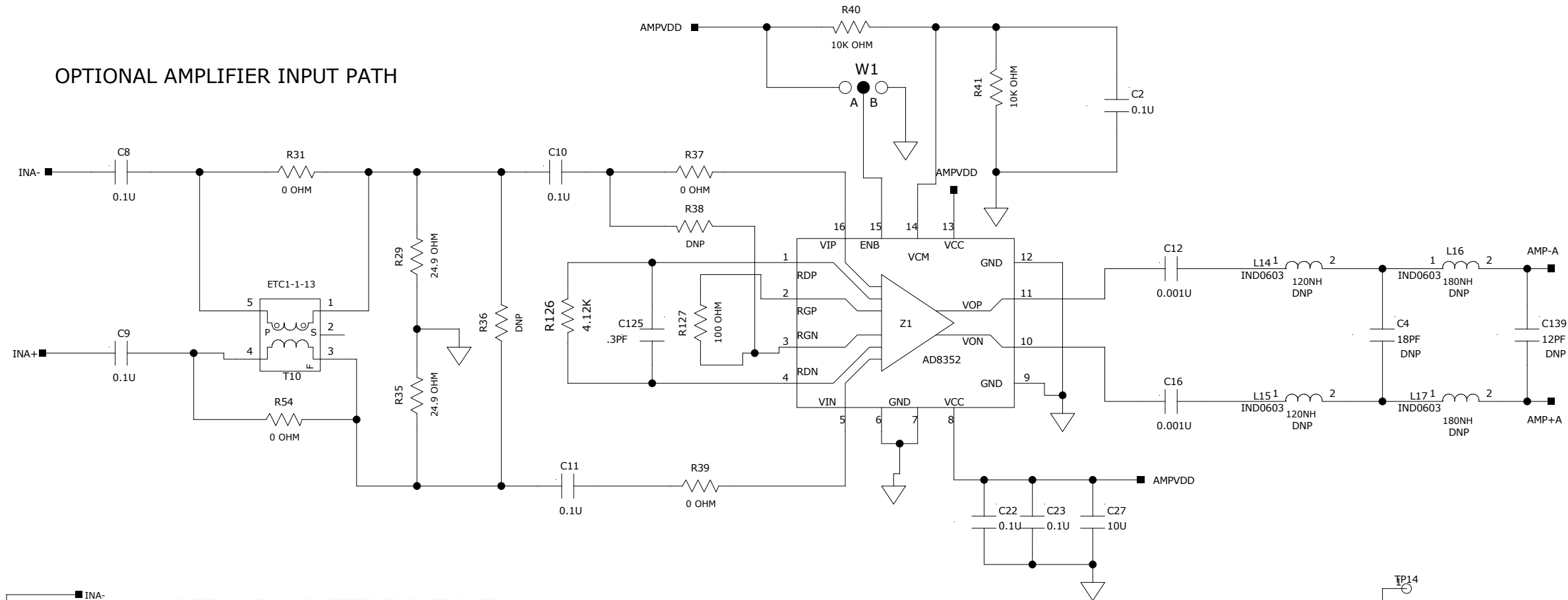
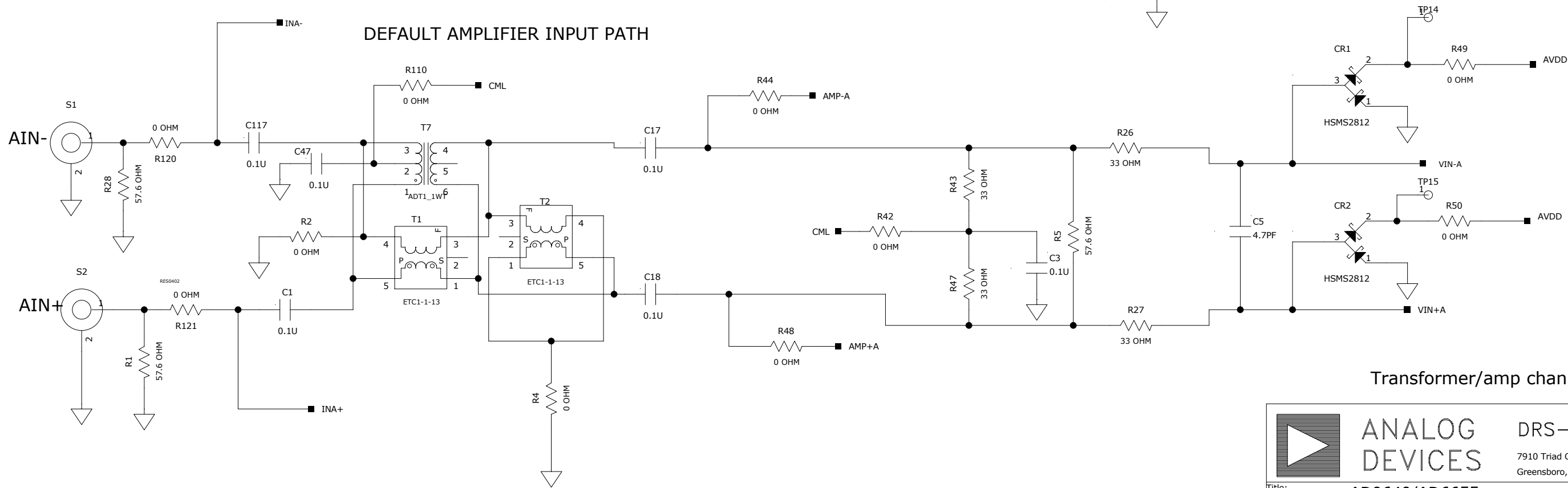


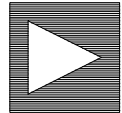
OPTIONAL AMPLIFIER INPUT PATH



DEFAULT AMPLIFIER INPUT PATH



Transformer/amp channel A

	<b>ANALOG DEVICES</b>		<b>DRS-HSC</b>	
	7910 Triad Center Dr. Greensboro, NC 27409			
Title: <b>AD9640/AD6655</b>		Rev: <b>C</b>		
Drawing Number: <b>9640CE01</b>		Design By:		
Date:		Filename:		
Sheet 1 of 10		Design By:		

6

5

4

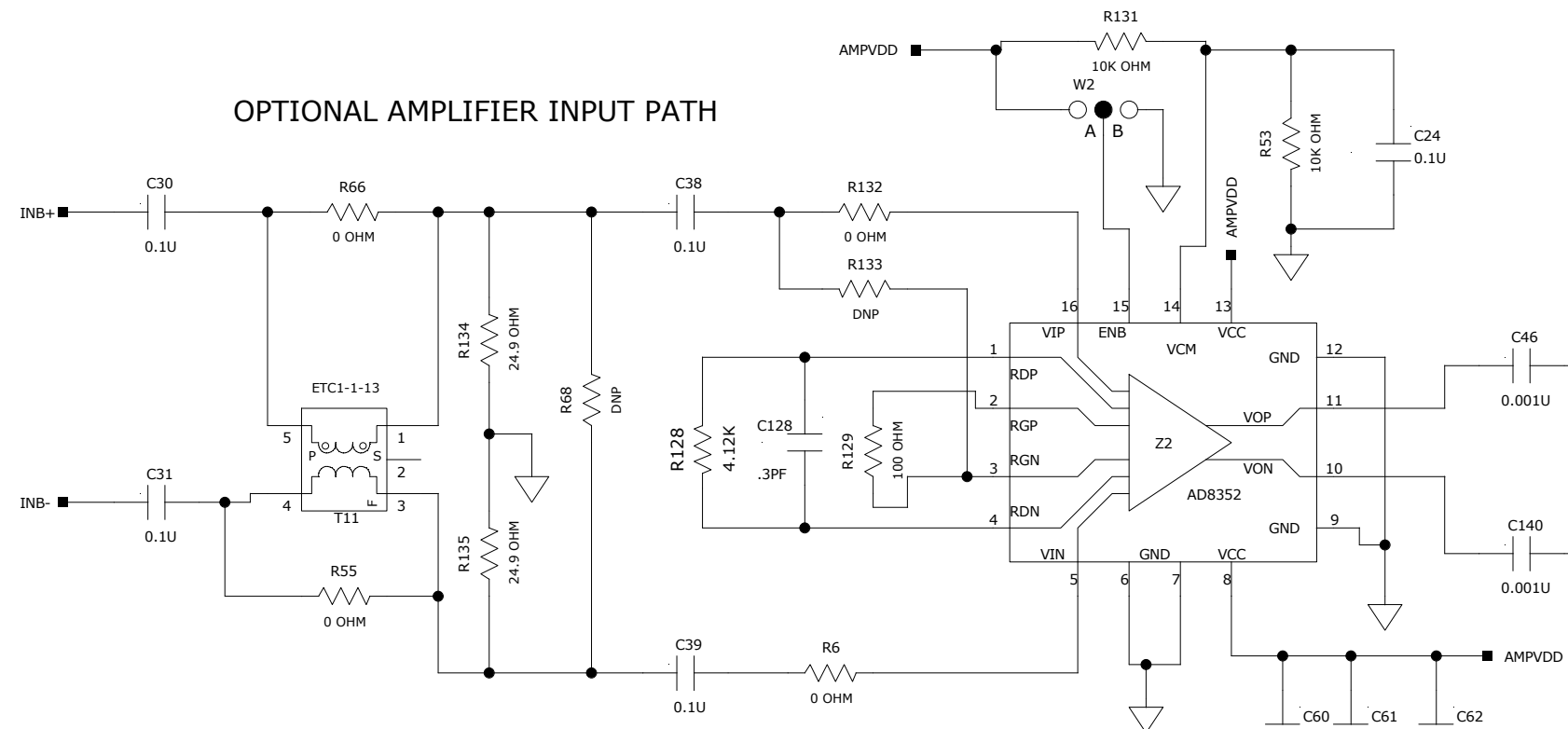
3

2

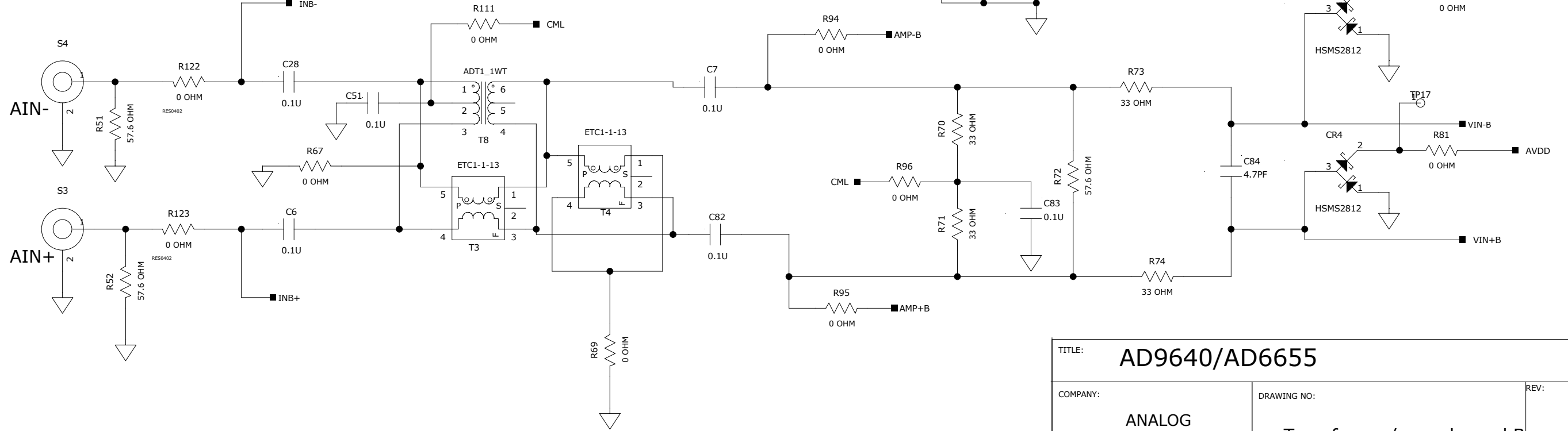
1

REVISION RECORD			
LTR	ECO NO:	APPROVED:	DATE:

OPTIONAL AMPLIFIER INPUT PATH



DEFAULT AMPLIFIER INPUT PATH



TITLE: <b>AD9640/AD6655</b>		REV:
COMPANY: <b>ANALOG DEVICES</b> Greensboro, NC	DRAWING NO: <b>Transformer/amp channel B</b>	SIZE:
SCALE:	SHEET: 2 OF 10	

6

5

4

3

2

1

REVISION RECORD			
LTR	ECO NO:	APPROVED:	DATE:

D

D

C

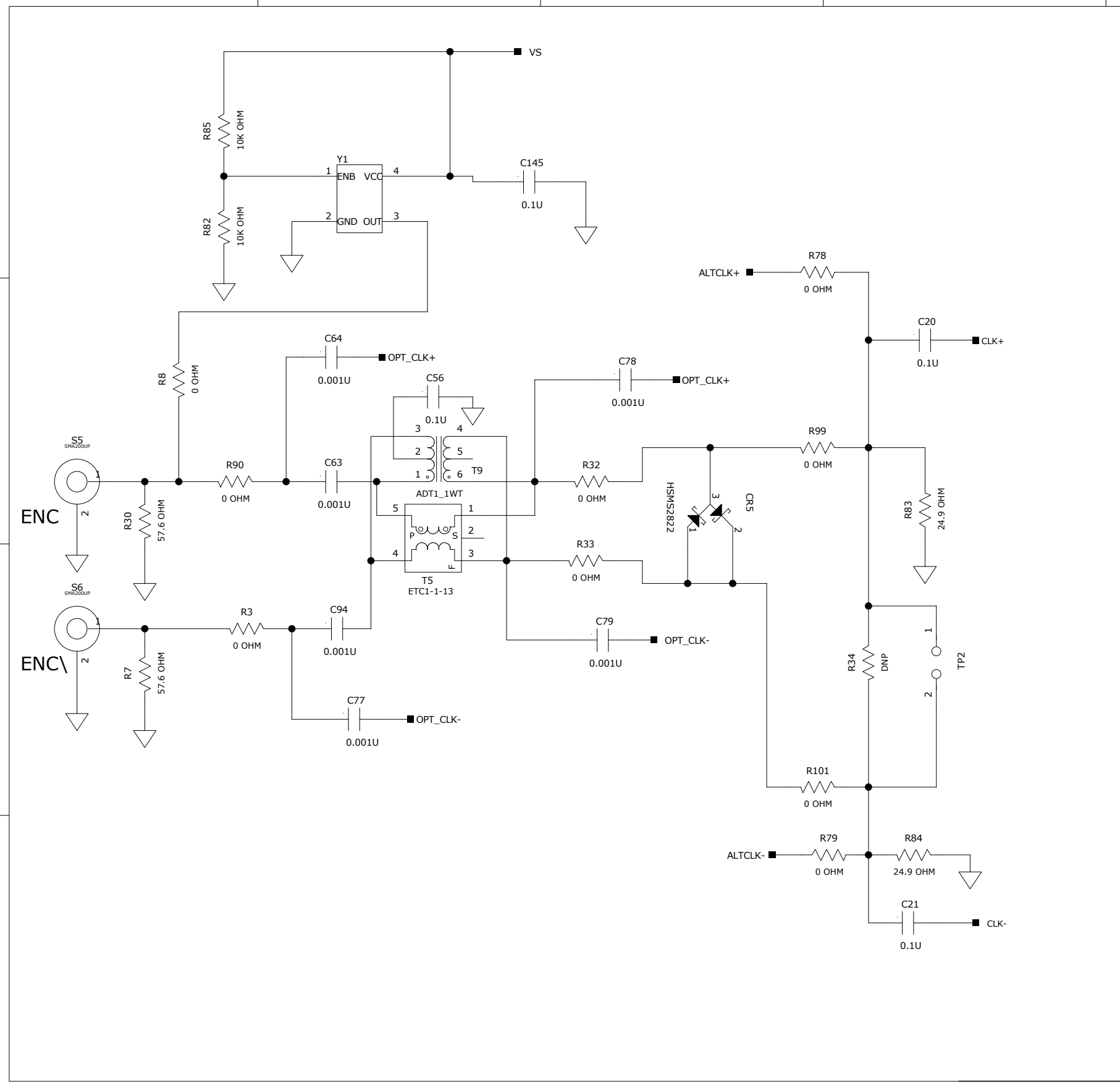
C

B

B

A

A



TITLE: AD9640/AD6655		
COMPANY: <b>ANALOG DEVICES</b> Greensboro, NC	DRAWING NO: <b>CLK/-</b>	REV:
SCALE:	SHEET: 3 OF 10	

6

5

4

3

2

1

REVISION RECORD			
LTR	ECO NO:	APPROVED:	DATE:

D

D

C

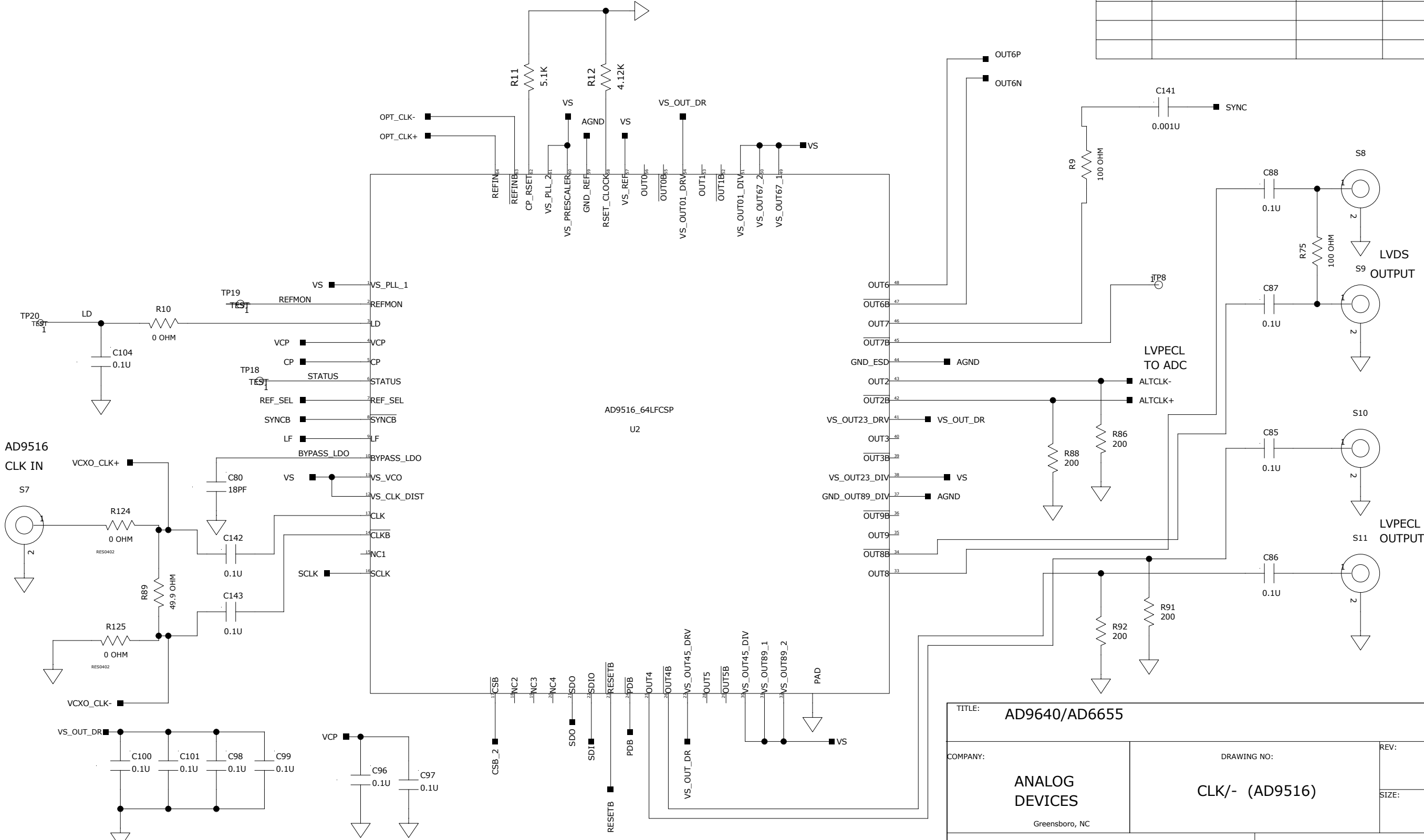
C

B

B

A

A



TITLE: <b>AD9640/AD6655</b>		
COMPANY:	DRAWING NO:	REV:
<b>ANALOG DEVICES</b>	<b>CLK/- (AD9516)</b>	
Greensboro, NC		SIZE:
SCALE:	SHEET: 4 OF 10	

6

5

4

3

2

1

D

C

B

A

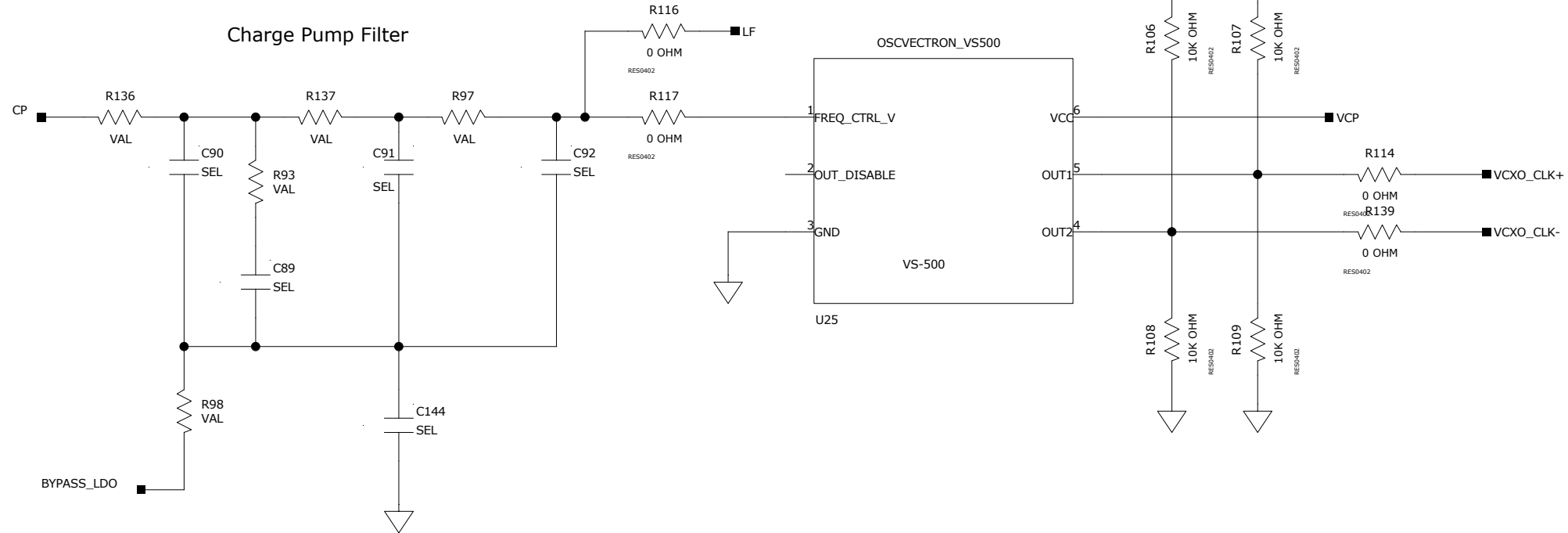
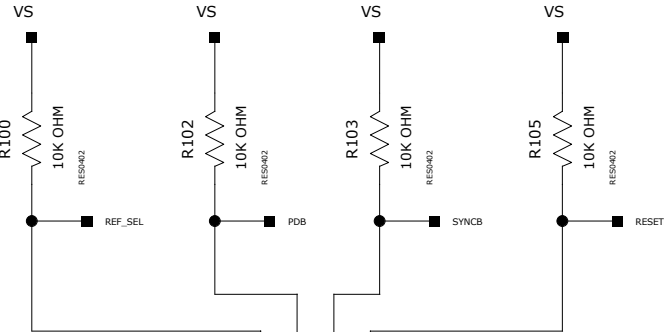
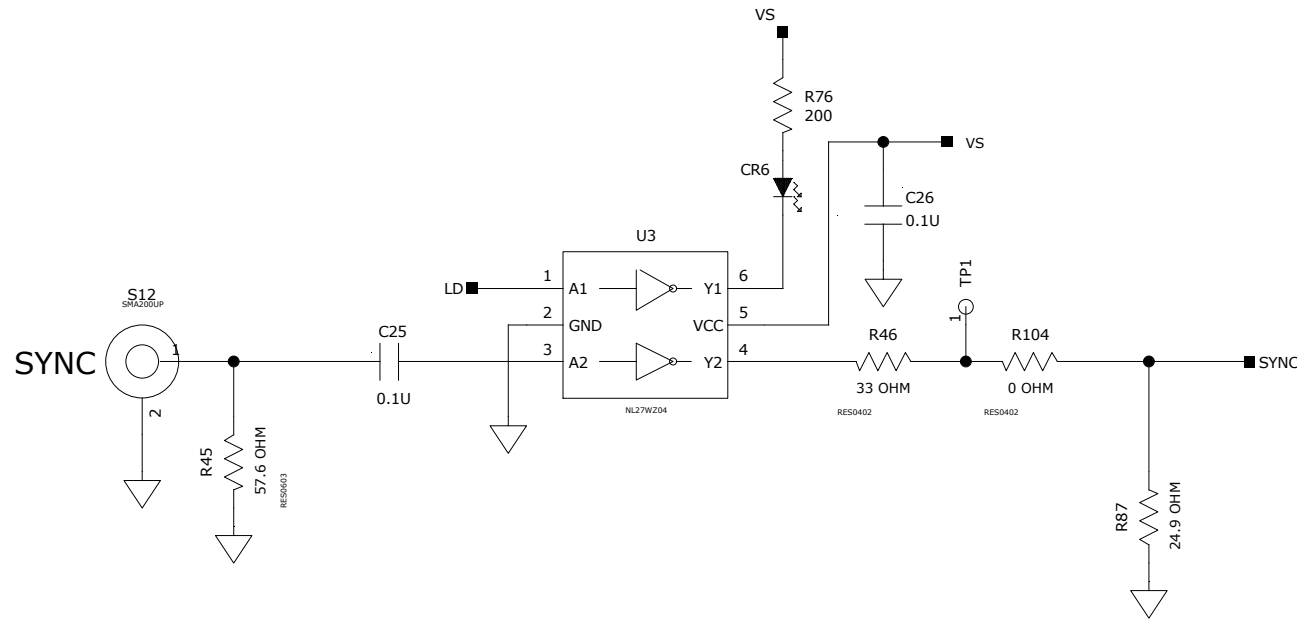
D

C

B

A

REVISION RECORD			
LTR	ECO NO:	APPROVED:	DATE:



TITLE: AD9640/AD6655		
COMPANY: <b>ANALOG DEVICES</b> Greensboro, NC	DRAWING NO: <b>SYNC</b>	REV: 
SCALE:	SHEET: 5 OF 10	

6

5

4

3

2

1

D

C

B

A

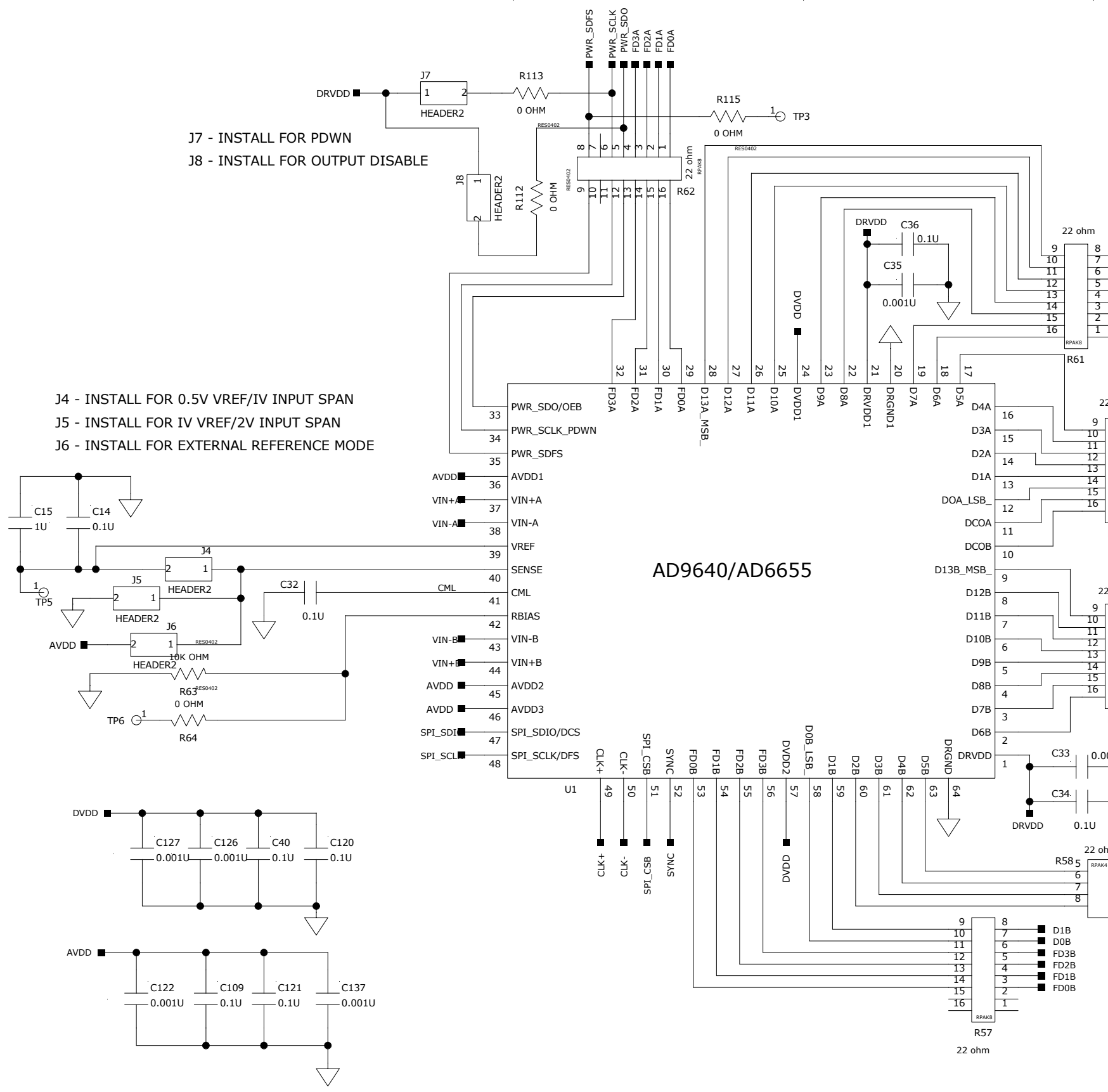
D

C

B

A

REVISION RECORD			
LTR	ECO NO:	APPROVED:	DATE:



J7 - INSTALL FOR PDWN  
 J8 - INSTALL FOR OUTPUT DISABLE

J4 - INSTALL FOR 0.5V VREF/IV INPUT SPAN  
 J5 - INSTALL FOR IV VREF/2V INPUT SPAN  
 J6 - INSTALL FOR EXTERNAL REFERENCE MODE

AD9640/AD6655

TITLE: <b>AD9640/AD6655</b>		REV:
COMPANY: <b>ANALOG DEVICES</b> Greensboro, NC	DRAWING NO: <b>DUT</b>	SIZE:
SCALE:		SHEET: 6 OF 10

6

5

4

3

2

1

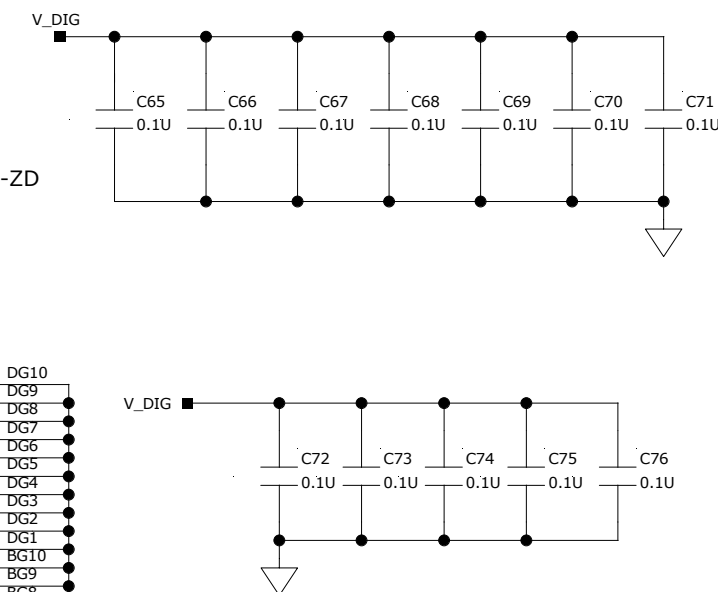
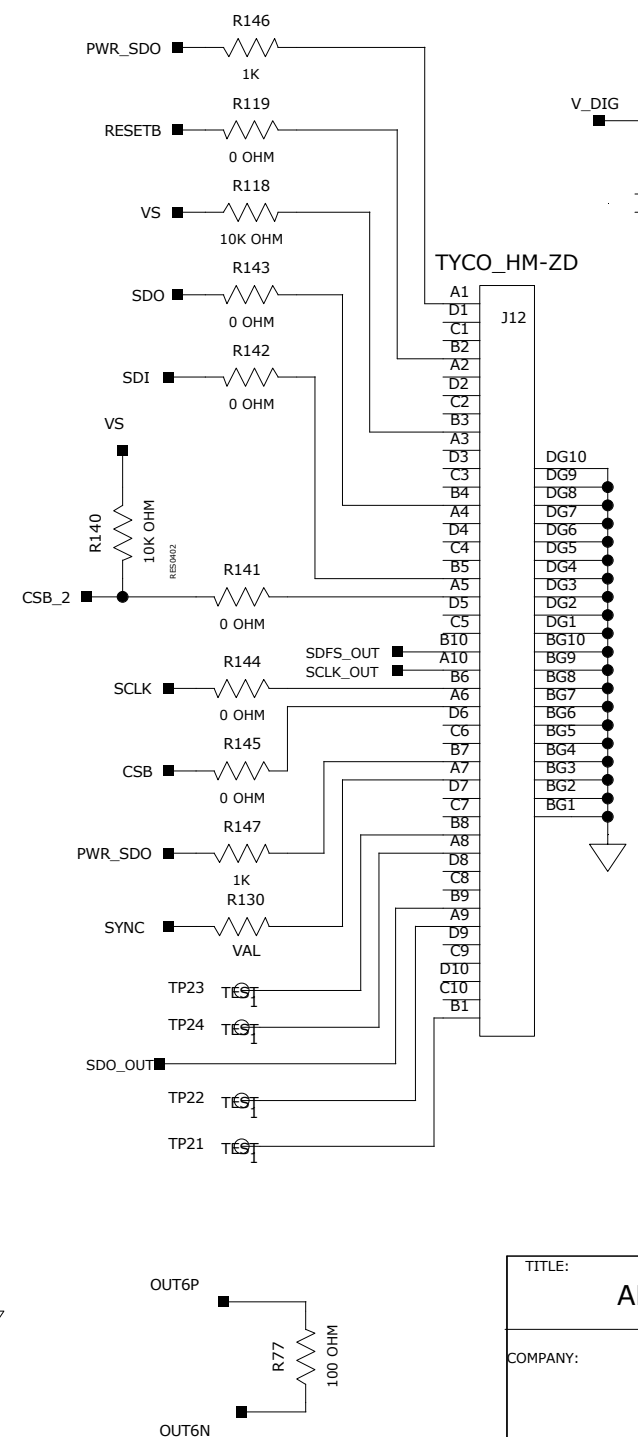
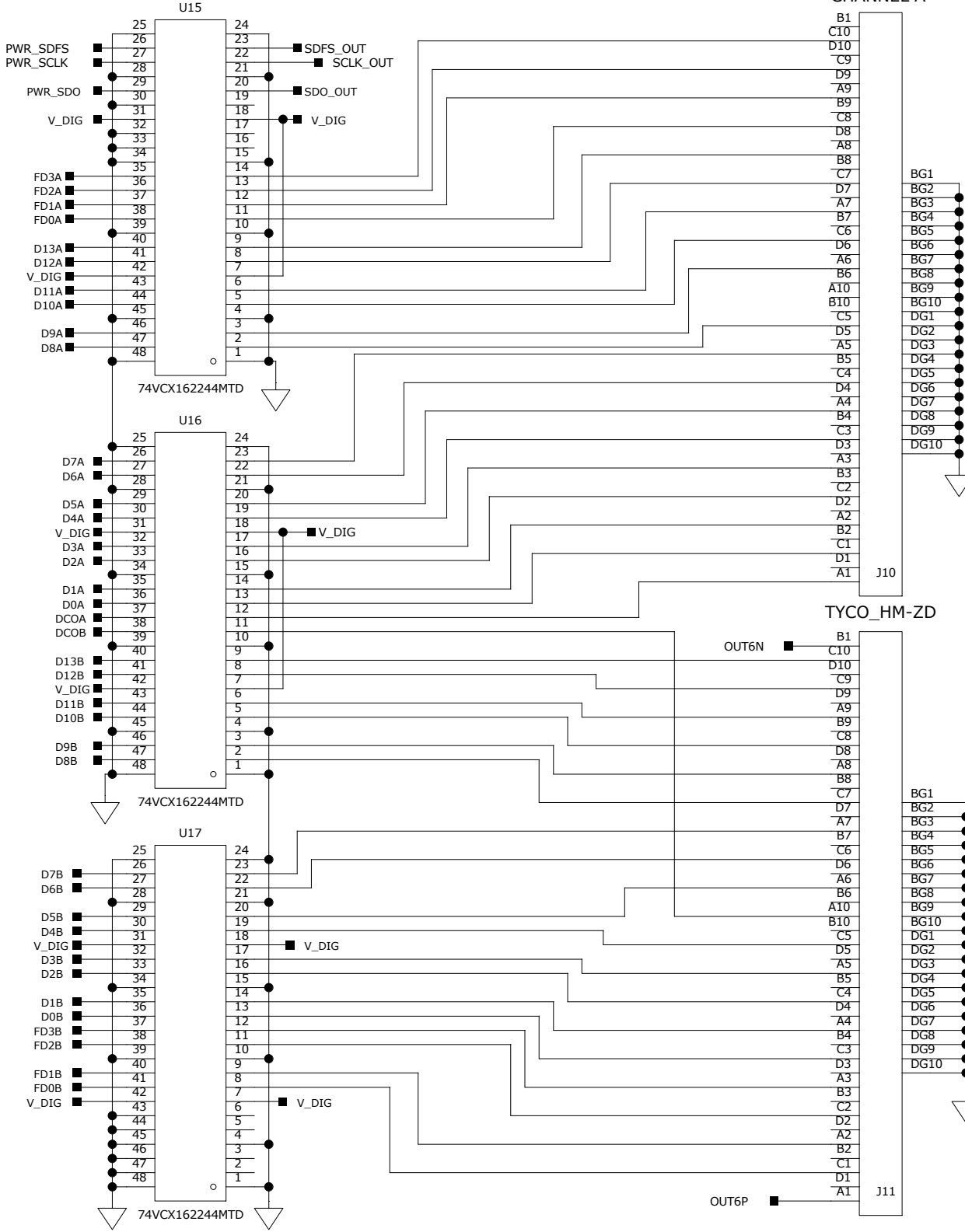
### DIGITAL/HSC-ADC-EVALCZ INTERFACE

REVISION RECORD			
LTR	ECO NO:	APPROVED:	DATE:

CHANNEL A

TYCO\_HM-ZD

TYCO\_HM-ZD CHANNEL B



TITLE: <b>AD9640/AD6655</b>			REV:
COMPANY: <b>ANALOG DEVICES</b> Greensboro, NC	DRAWING NO: <b>Digital Outputs/Connectors</b>		SIZE:
SCALE:		SHEET: 7 OF 10	

D

C

B

A

D

C

B

A

6

5

4

3

2

1

D

C

B

A

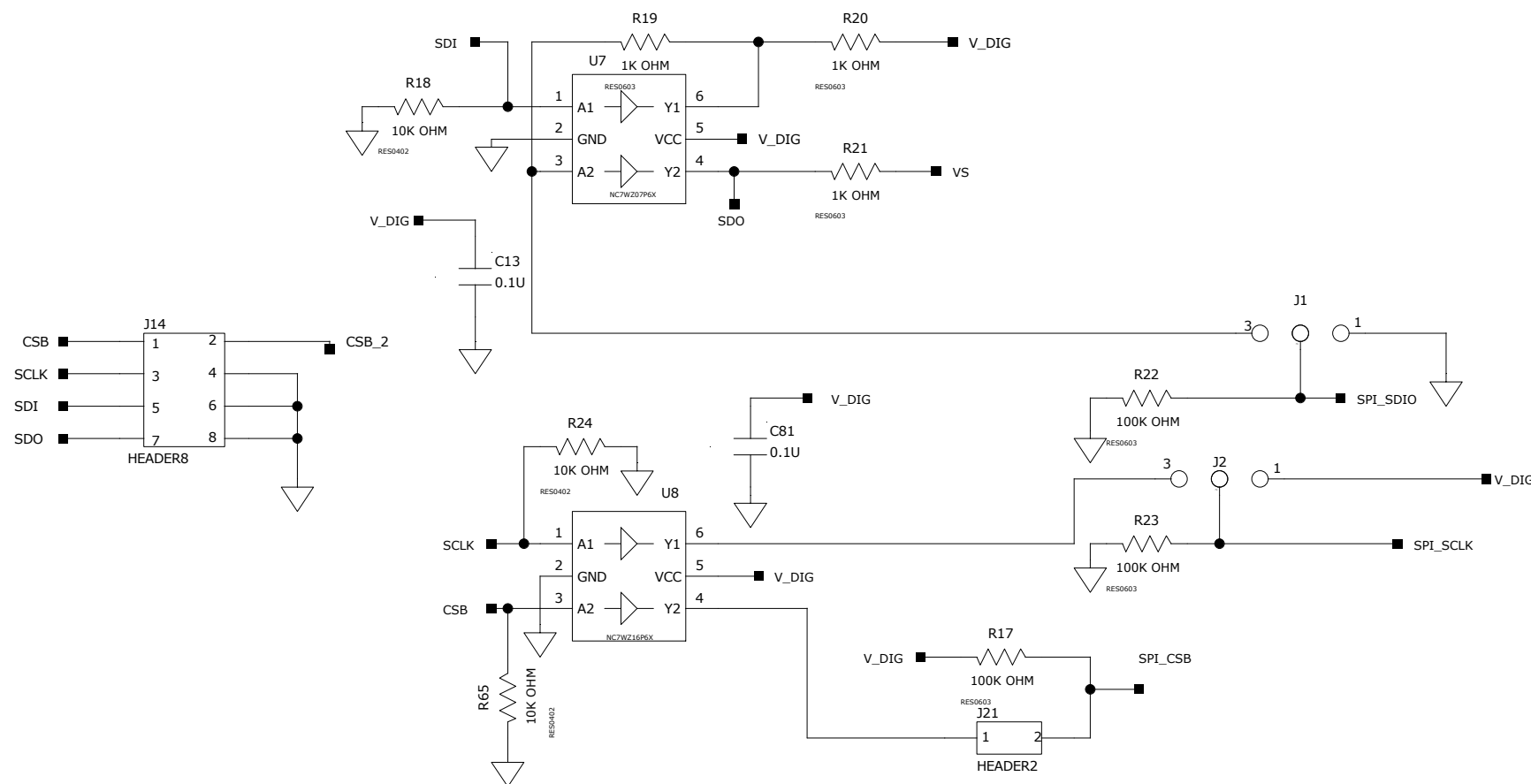
D

C

B

A

REVISION RECORD			
LTR	ECO NO:	APPROVED:	DATE:



J1 - JUMPER PINS 2 TO 3 FOR SPI OPERATION  
 JUMPER PINS 1 TO 2 FOR DCS DISABLE  
 J2 - JUMPER PINS 2 TO 3 FOR SPI OPERATION  
 JUMPER PINS 1 TO 2 FOR TWOS COMPLIMENT OUTPUT  
 J21 - INSTALL JUMPER FOR SPI OPERATION

TITLE: <b>AD9640/AD6655</b>		
COMPANY: <b>ANALOG DEVICES</b> Greensboro, NC	DRAWING NO: <b>SPI INTERFACE</b>	REV: 
SCALE: 	SHEET: 8 OF 10	



6

5

4

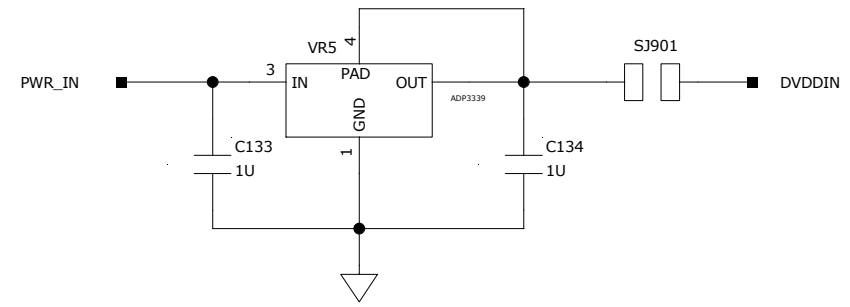
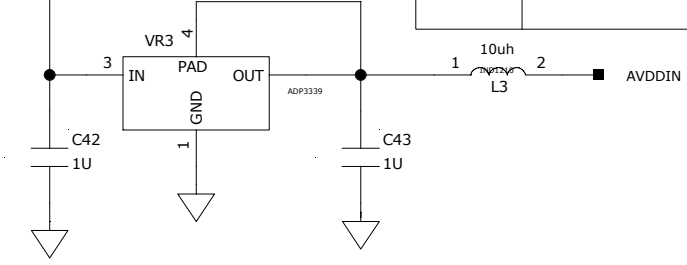
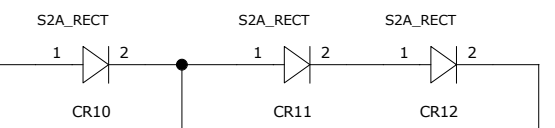
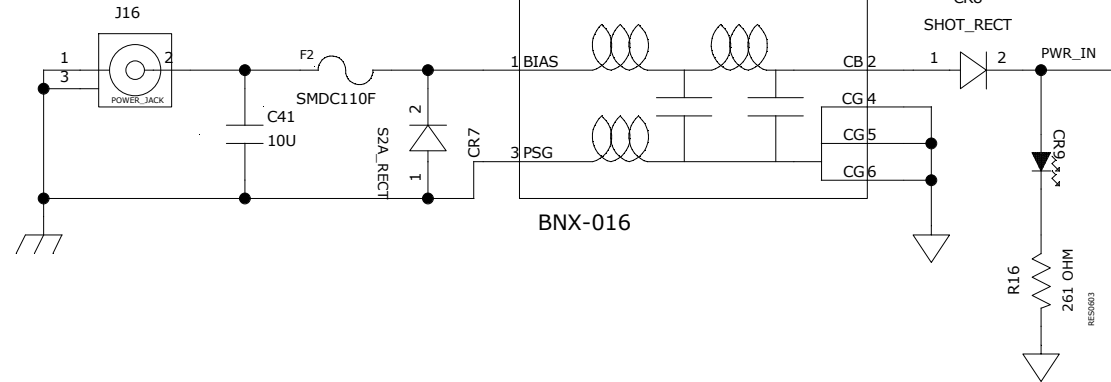
3

2

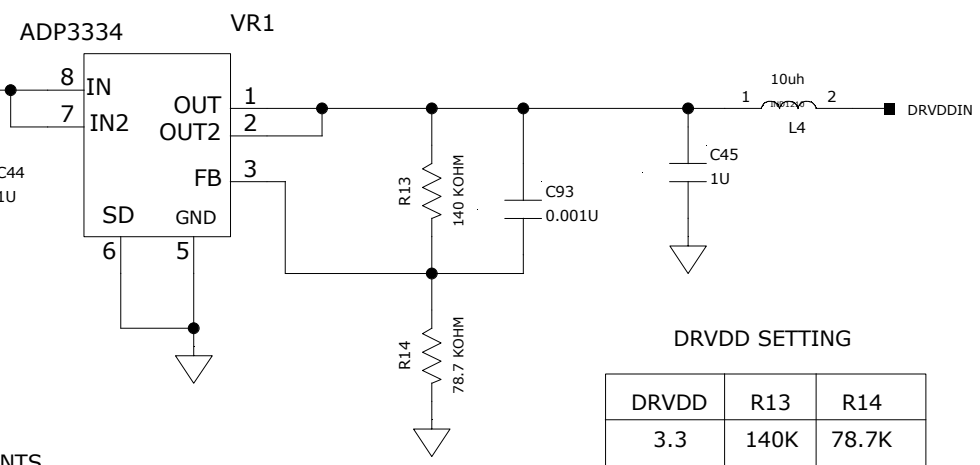
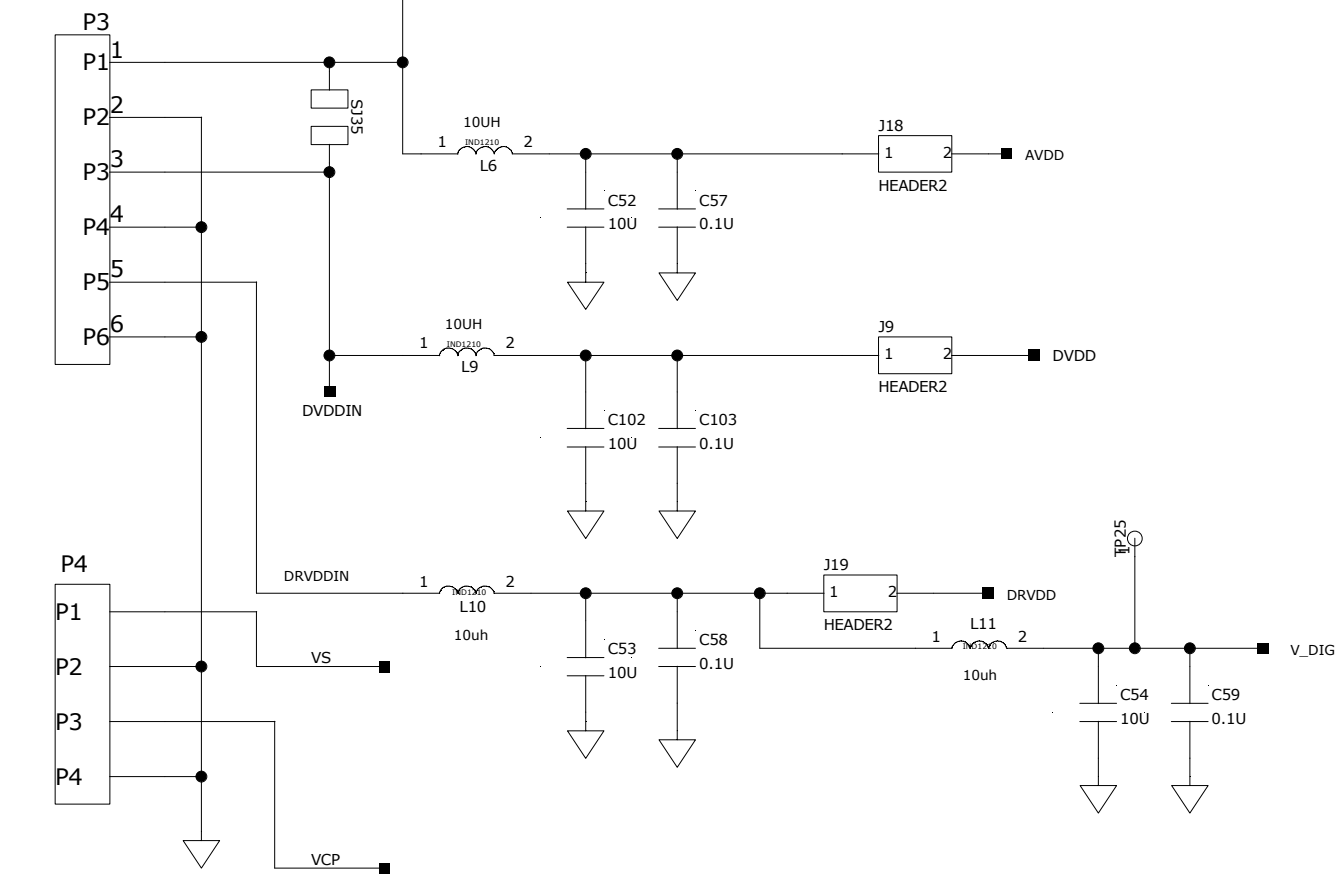
1

REVISION RECORD			
LTR	ECO NO:	APPROVED:	DATE:

POWER INPUT  
6V, 2A MAX



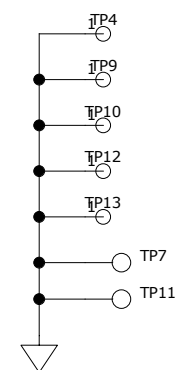
OPTIONAL POWER SUPPLY INPUTS



DRVDD SETTING

DRVDD	R13	R14
3.3	140K	78.7K
2.5	107K	94.0K
1.8	76.8K	147K

GND TEST POINTS



TITLE: <b>AD9640/AD6655</b>		
COMPANY: <b>ANALOG DEVICES</b> Greensboro, NC	DRAWING NO: <b>PWR supply</b>	REV:
SCALE:	SHEET: 9 OF 10	

D

D

C

C

B

B

A

A

6

5

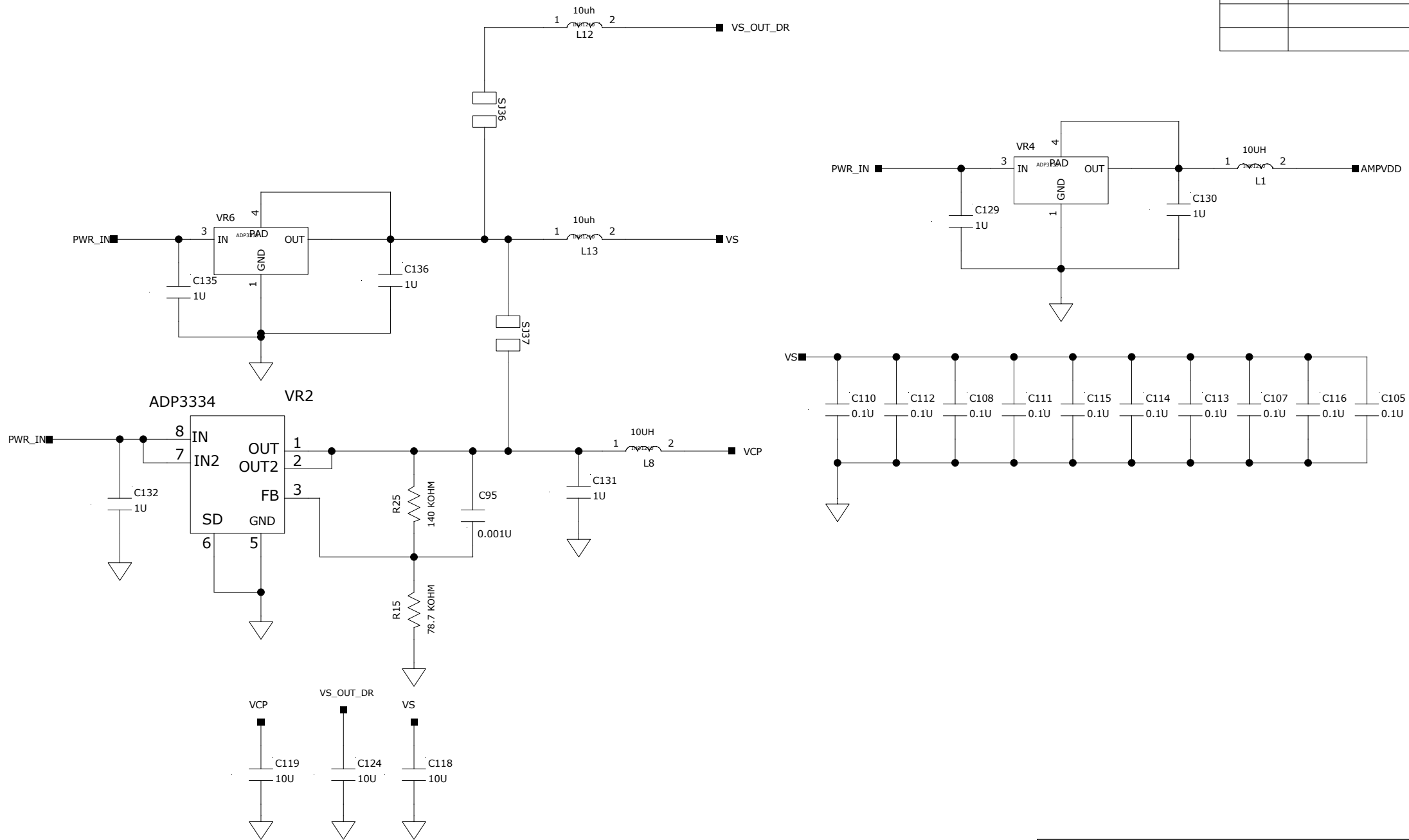
4

3

2

1

REVISION RECORD			
LTR	ECO NO:	APPROVED:	DATE:



Power Supply ByPass Capacitors

TITLE: <b>AD9640/AD6655</b>		
COMPANY: <b>ANALOG DEVICES</b> Greensboro, NC	DRAWING NO: <b>PWR supply AD9516</b>	REV: 
SCALE:	SHEET: OFD 10	SIZE: 

D

C

B

A

D

C

B

A