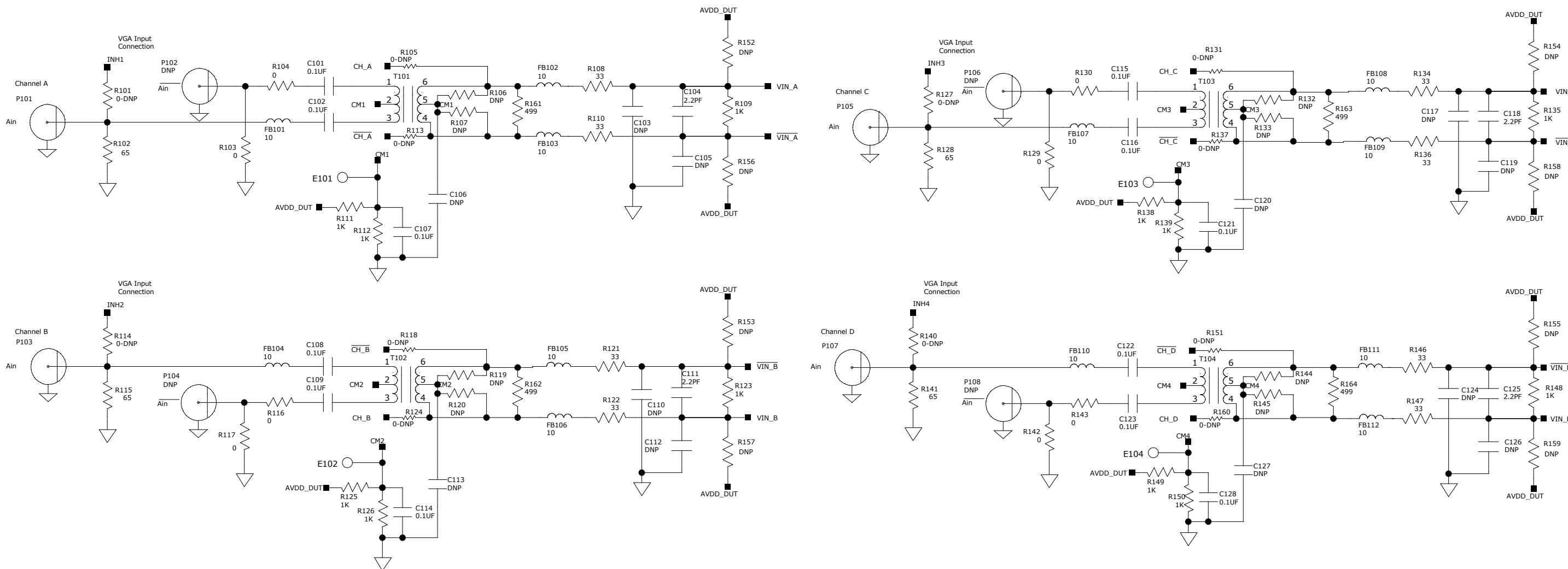
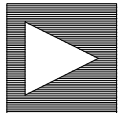


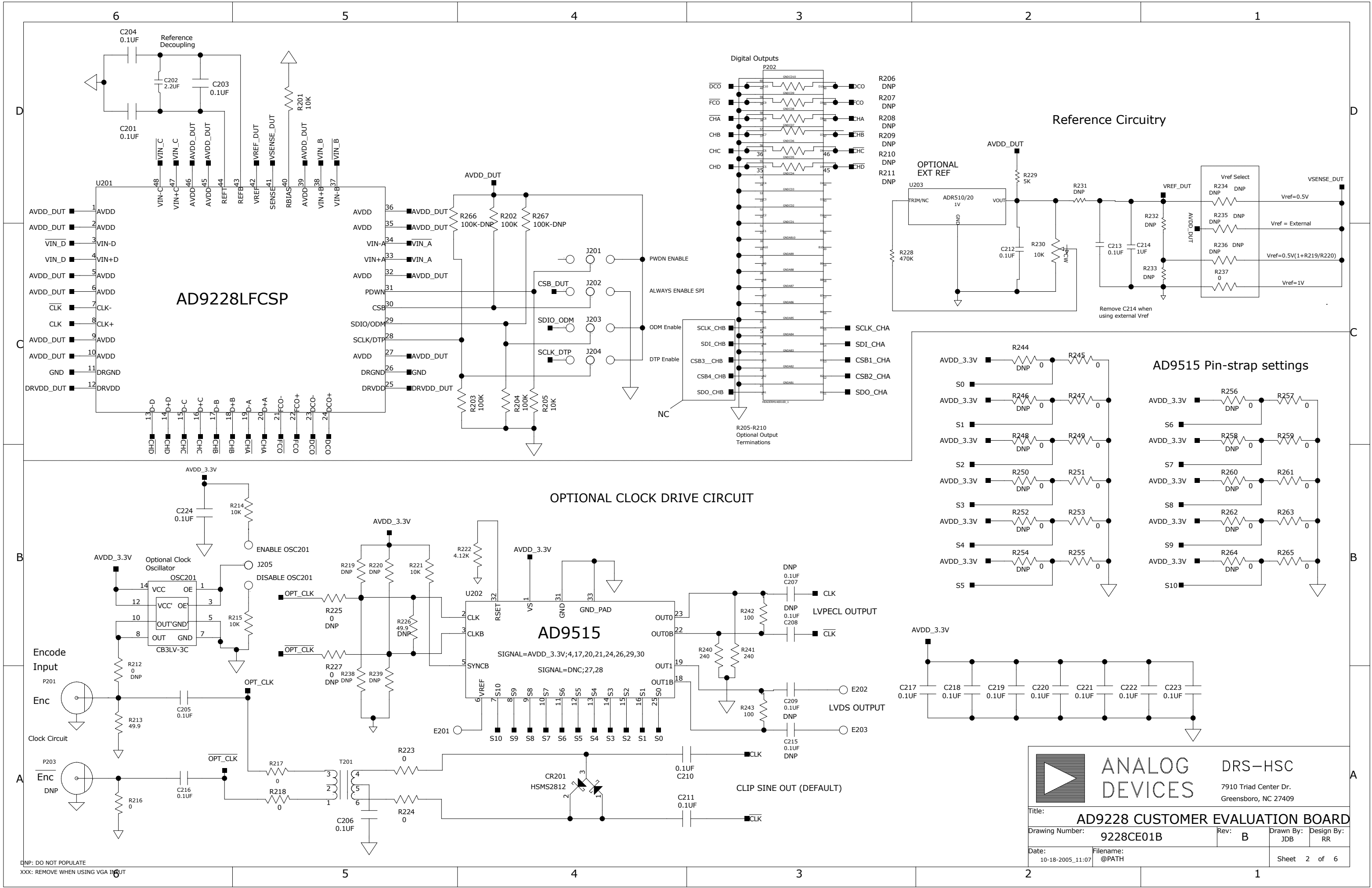
AD9228 CUSTOMER EVAL BOARD

Analog Inputs



DNP: DO NOT POPULATE

	ANALOG DEVICES	DRS-HSC
	7910 Triad Center Dr. Greensboro, NC 27409	
Title: AD9228 CUSTOMER EVALUATION BOARD		
Drawing Number: 9228CE01B	Rev: B	Drawn By: JDB Design By: RR
Date: 10-21-2005_9:36	Filename: @PATH	Sheet 1 of 6



AD9228LFCSP

Reference Circuitry

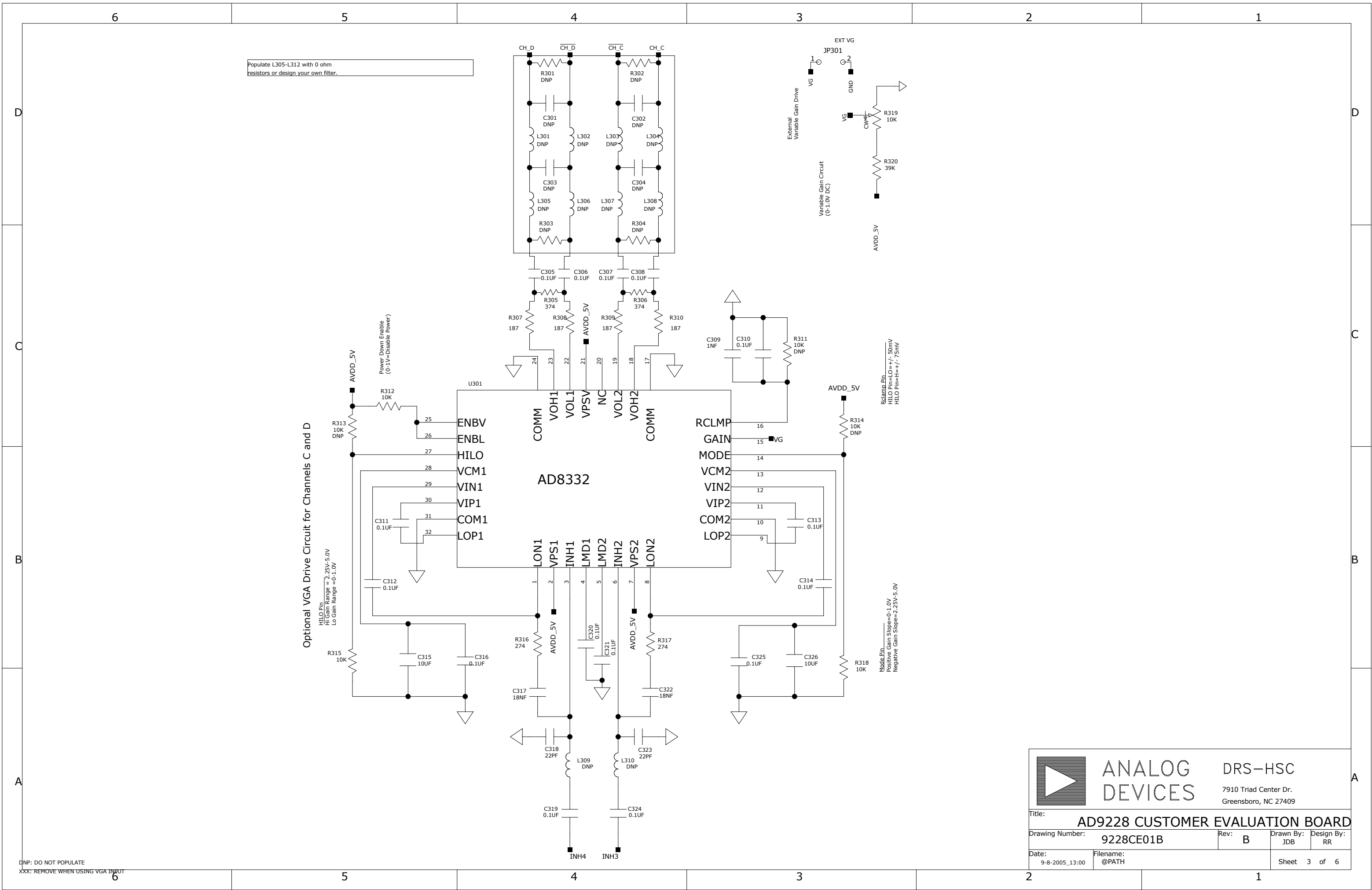
AD9515 Pin-strap settings

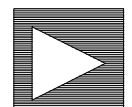
OPTIONAL CLOCK DRIVE CIRCUIT

DRS-HSC
7910 Triad Center Dr.
Greensboro, NC 27409

Title: AD9228 CUSTOMER EVALUATION BOARD			
Drawing Number: 9228CE01B	Rev: B	Drawn By: JDB	Design By: RR
Date: 10-18-2005_11:07	Filename: @PATH	Sheet 2 of 6	

DNP: DO NOT POPULATE
XXX: REMOVE WHEN USING VGA IN/OUT



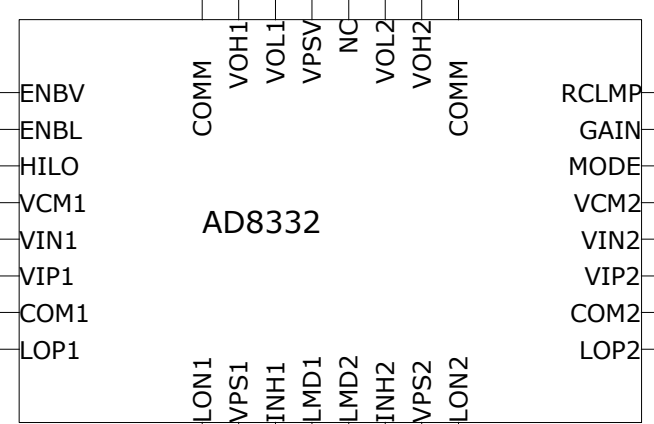
 ANALOG DEVICES	DRS-HSC 7910 Triad Center Dr. Greensboro, NC 27409		
	Title: AD9228 CUSTOMER EVALUATION BOARD		
Drawing Number: 9228CE01B	Rev: B	Drawn By: JDB	Design By: RR
Date: 9-8-2005_13:00	Filename: @PATH	Sheet 3 of 6	

Populate L405-L412 with 0 ohm resistors or design your own filter.

Optional VGA Drive Circuit for Channels A and B

H/LO Pin
Hi Gain Range = 2.25V-5.0V
Lo Gain Range = 0-1.0V

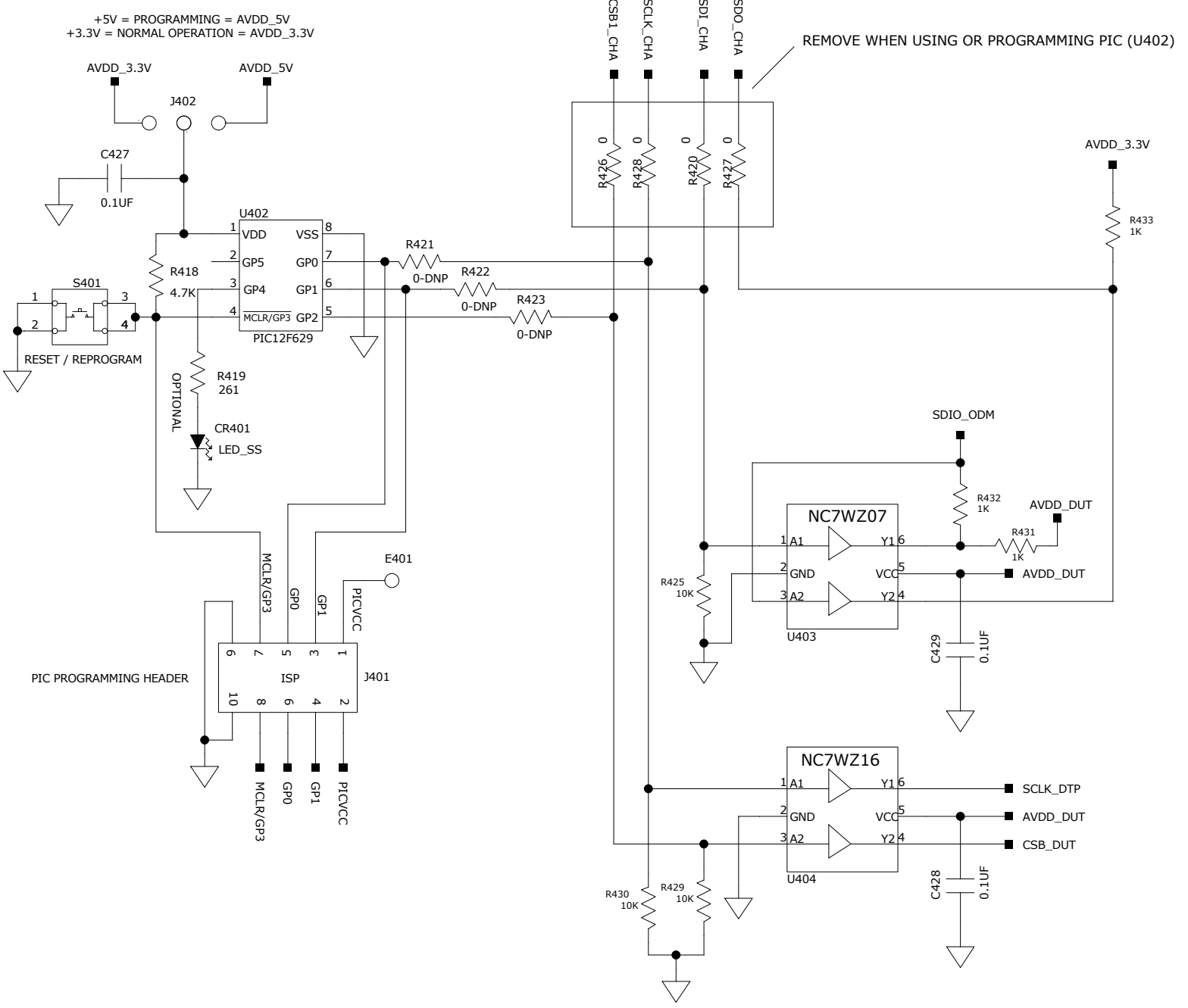
Power Down Enable
(0=1V=Disable Power)



Relamp Pin
H/LO Pin=LO=+/- 50mV
H/LO Pin=HI=+/- 75mV

Mode Pin
Positive Gain Slope=0-1.0V
Negative Gain Slope=2.25V-5.0V

SPI CIRCUITRY FROM FIFO

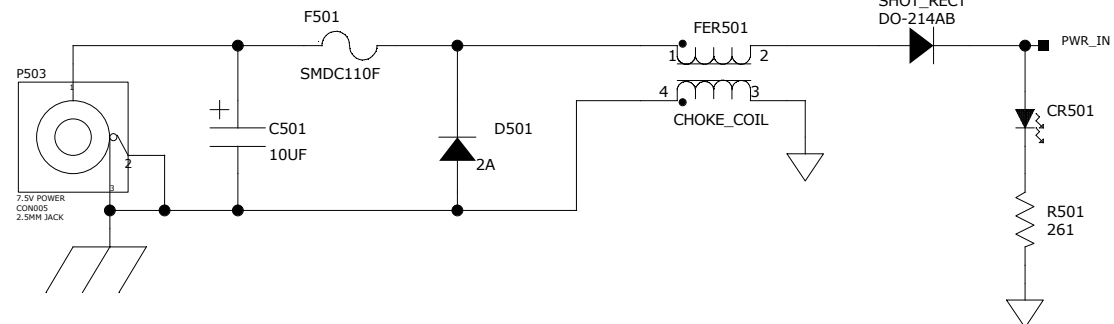


REMOVE WHEN USING OR PROGRAMMING PIC (U402)

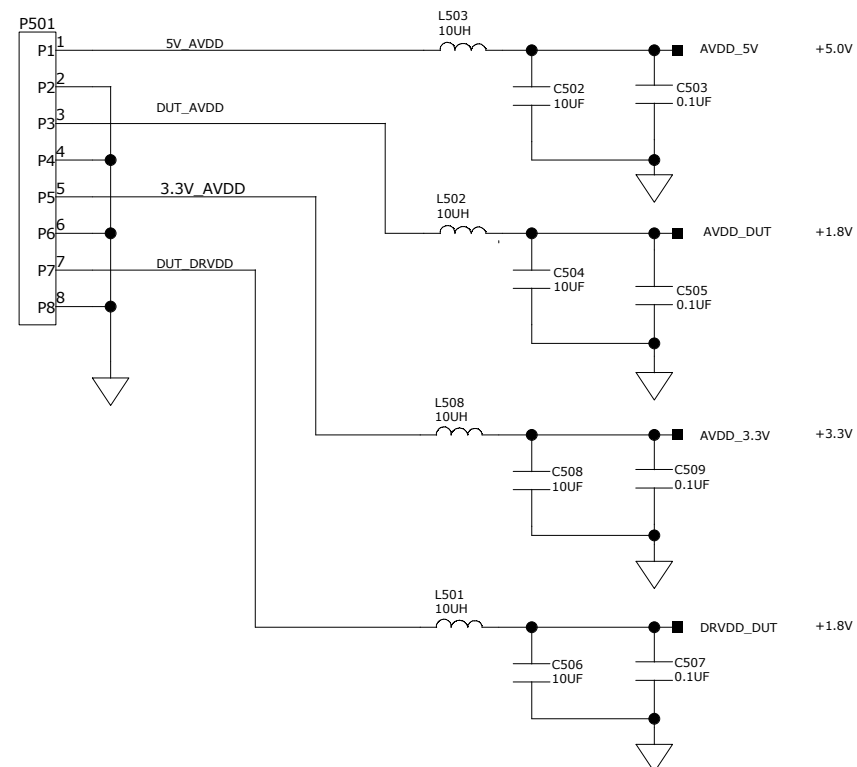
	ANALOG DEVICES		DRS-HSC	
	7910 Triad Center Dr. Greensboro, NC 27409			
Title: AD9228 CUSTOMER EVALUATION BOARD				
Drawing Number: 9228CE01B		Rev: B	Drawn By: JDB	Design By: RR
Date: 10-21-2005_13:50	Filename: @PATH	Sheet 4 of 6		

DNP: DO NOT POPULATE
XXX: REMOVE WHEN USING VGA INPUT

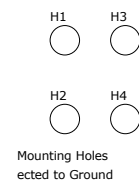
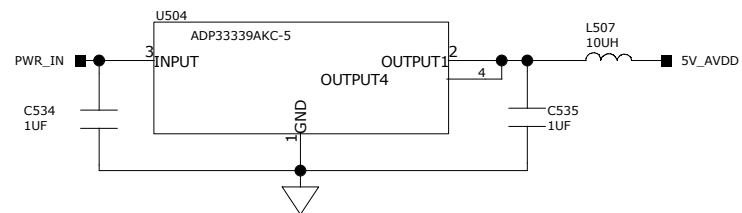
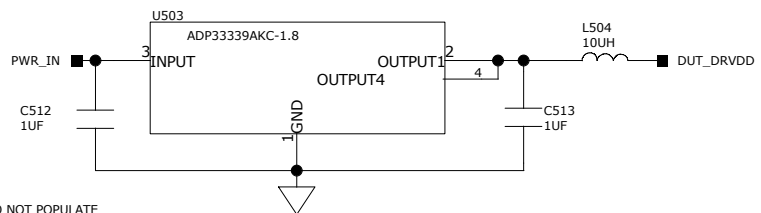
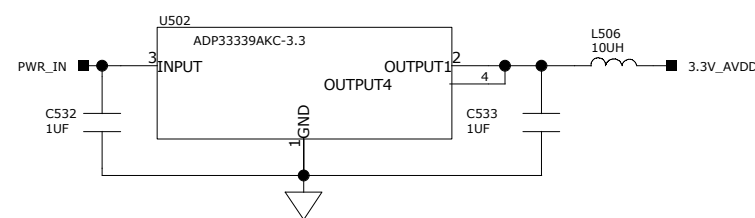
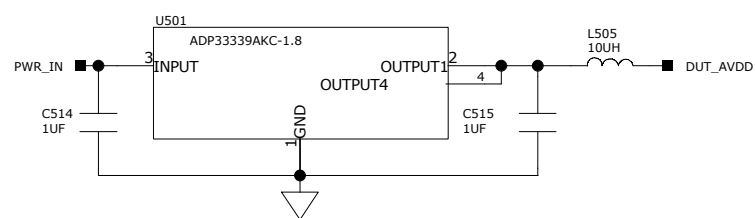
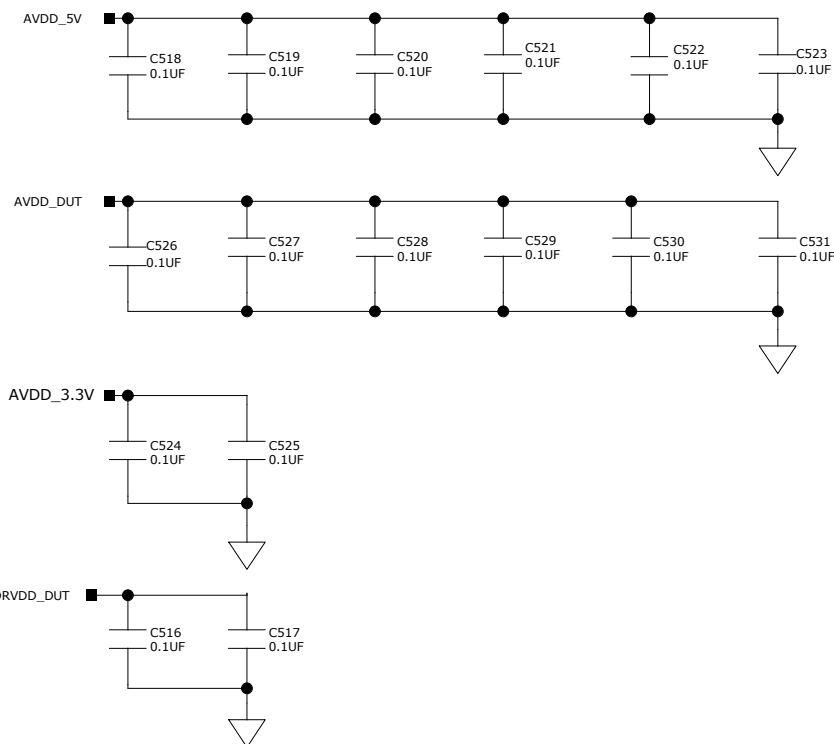
Power Supply Input
6V, 2A max



Optional Power Input



Decoupling Capacitors



DNP: DO NOT POPULATE
XXX: REMOVE WHEN USING VGA INPUT

		DRS-HSC	
ANALOG DEVICES		7910 Triad Center Dr. Greensboro, NC 27409	
Title: AD9228 CUSTOMER EVALUATION BOARD			
Drawing Number:	9228CE01B	Rev:	B
Drawn By:	JDB	Design By:	RR
Date:	10-21-2005_9:36	Filename:	@PATH
		Sheet 5 of 6	

6

5

4

3

2

1

D

D

C

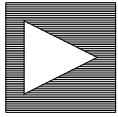
C

B

B

A

A

	ANALOG DEVICES		DRS-HSC	
			7910 Triad Center Dr. Greensboro, NC 27409	
Title: AD9228 CUSTOMER EVALUATION BOARD				
Drawing Number: 9228CE01B		Rev: B	Drawn By: JDB	Design By: RR
Date: 10-13-2005_16:20	Filename: @PATH		Sheet 6 of 6	

6

5

4

3

2

1