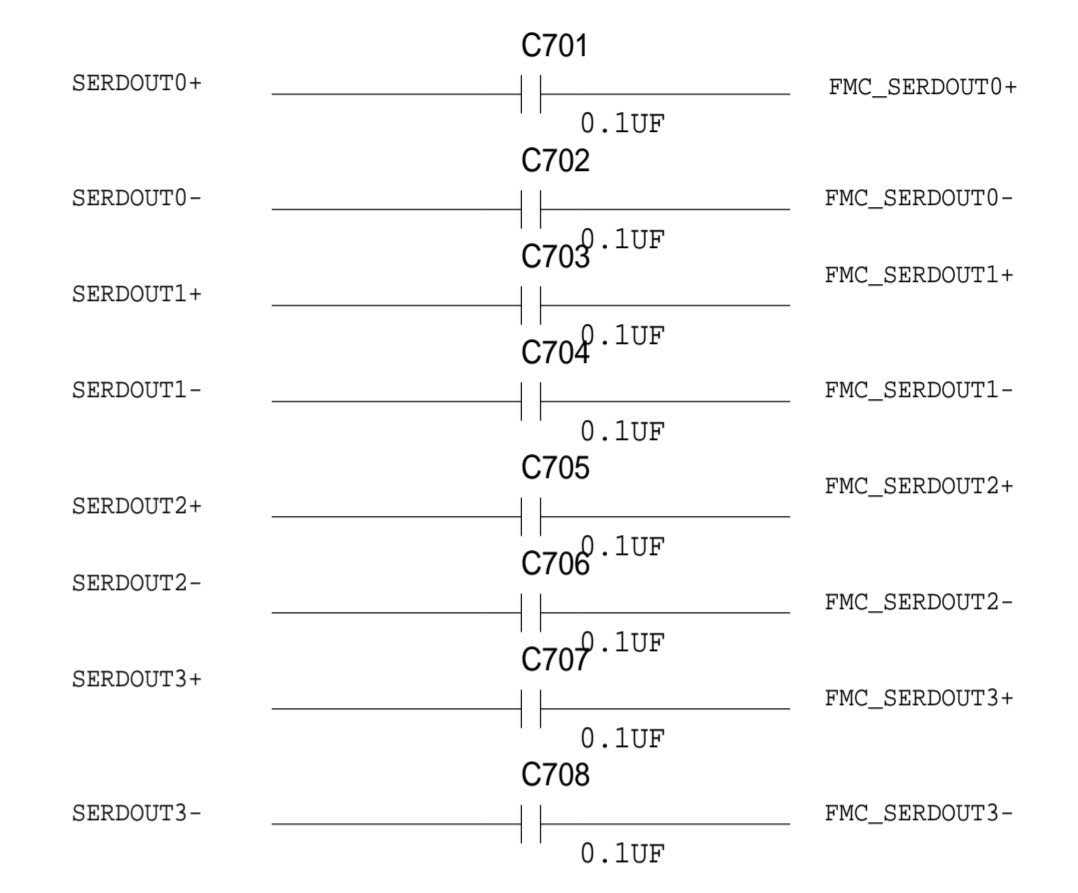




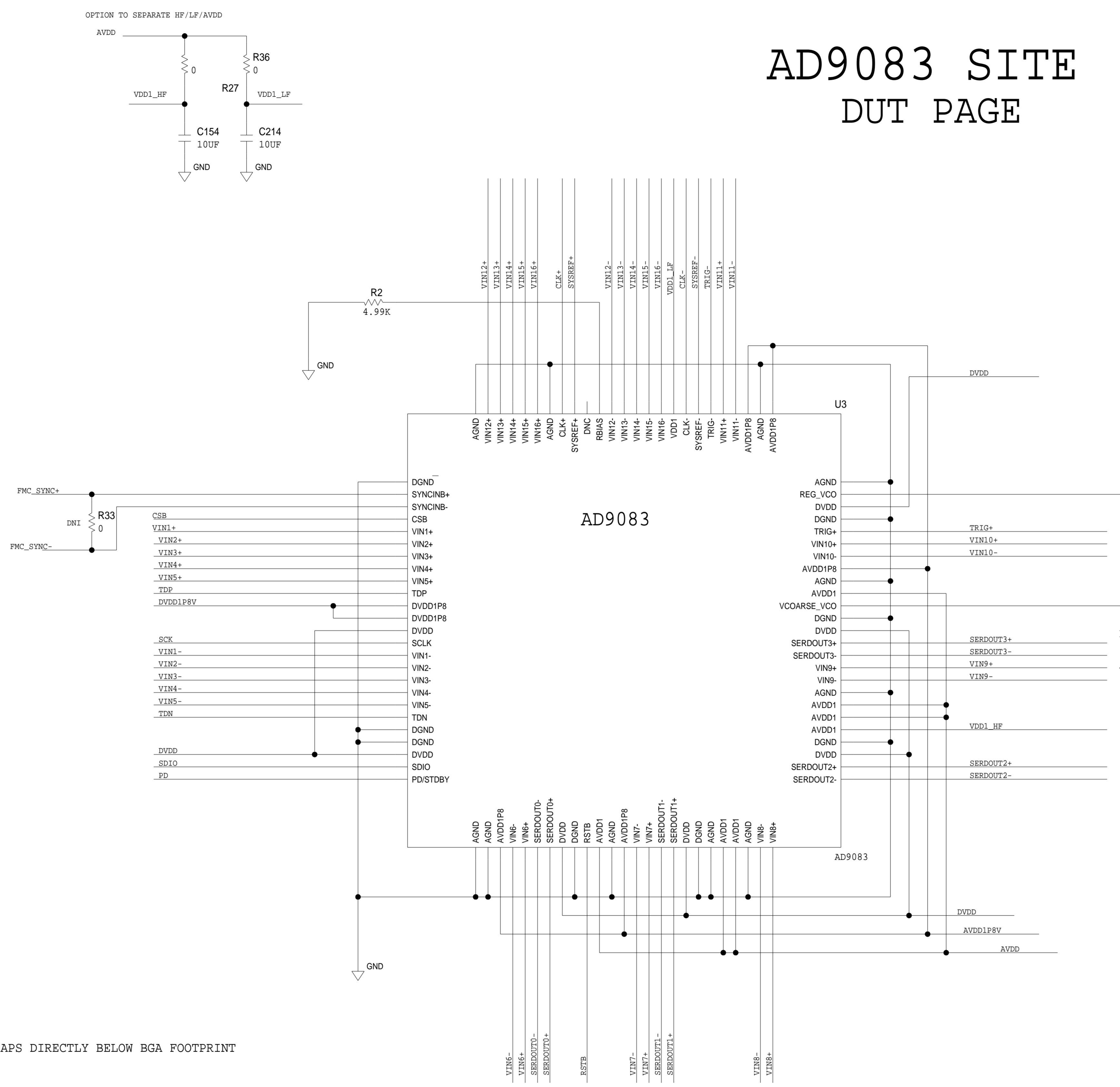
REVISIONS			
REV	DESCRIPTION	DATE	APPROVED

# AD9083 SITE DUT PAGE

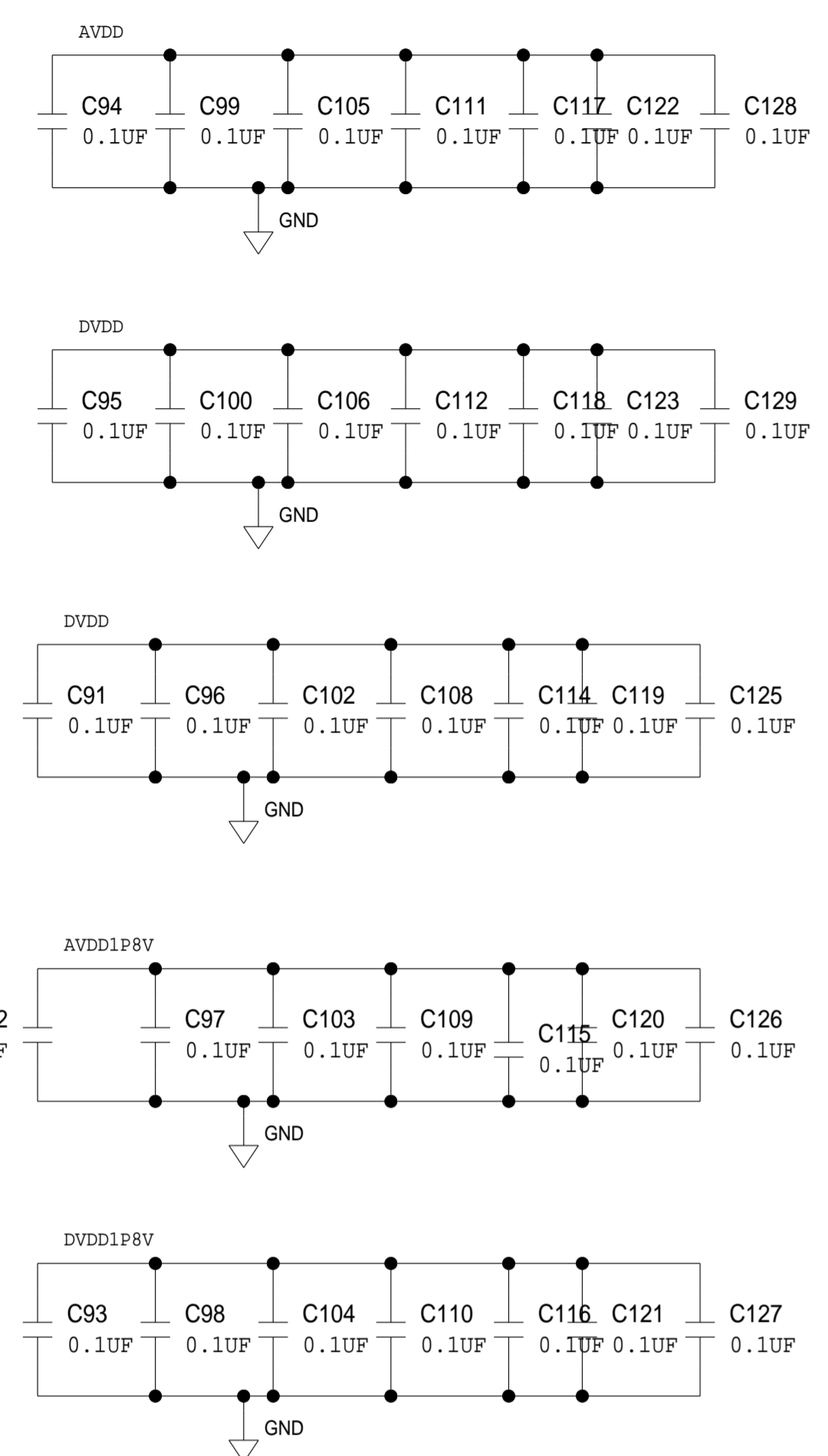
PLACE AS CLOSE TO DUT AS POSSIBLE



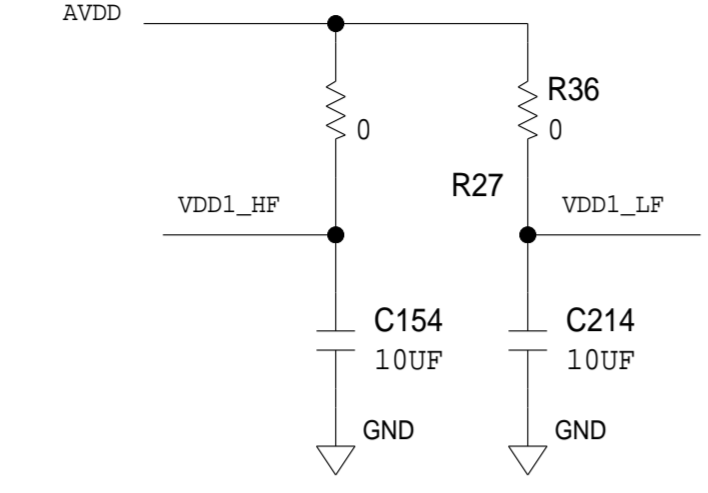
PLACE 1 REG\_VCO CAP ON DUT SIDE AND OTHER UNDERDUT DUT



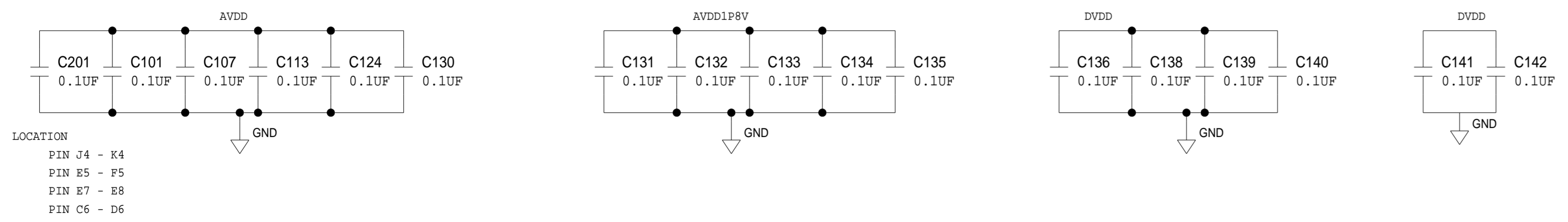
## DISTRIBUTED DECOUPLING CAPS



## OPTION TO SEPARATE HF/LF/AVDD



## DECOUPLING CAPS DIRECTLY BELOW BGA FOOTPRINT



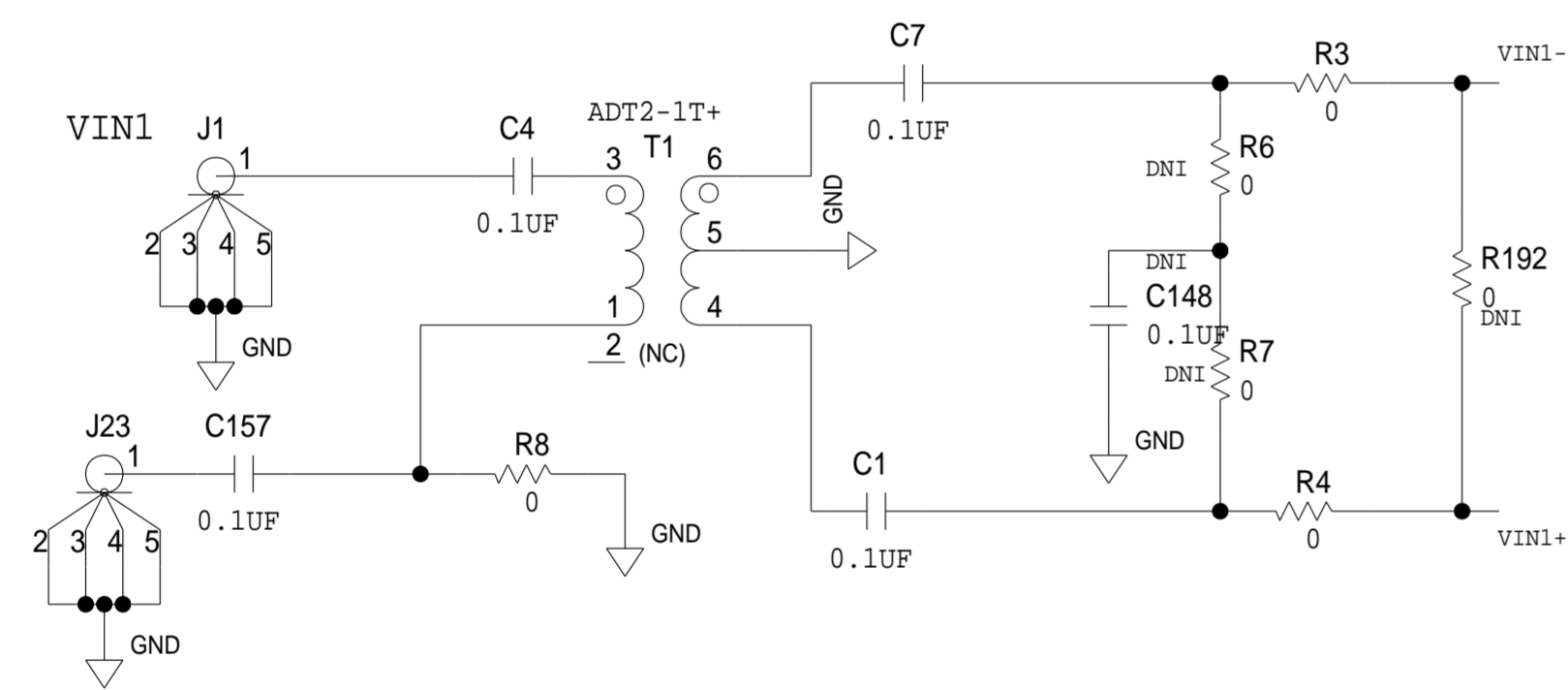
LOCATION  
 PIN J4 - K4  
 PIN E5 - F5  
 PIN E7 - E8  
 PIN C6 - D6

SCHEMATIC				
HW TYPE : Customer Evaluation Product(s) : AD9083EBZ : AD9083EBZ		DRAWING NO. 02_059760		REV B
DESIGN VIEW <DESIGN_VIEW>		SIZE D	SCALE 1:1	SHEET 2 OF 10

THIS DRAWING IS THE PROPERTY OF ANALOG DEVICES INC. IT IS NOT TO BE REPRODUCED OR COPIED, IN WHOLE OR IN PART, OR USED IN FURNISHING INFORMATION TO OTHERS, OR FOR ANY OTHER PURPOSE DETRIMENTAL TO THE INTERESTS OF ANALOG DEVICES. THE EQUIPMENT SHOWN HEREIN MAY BE PROTECTED BY PATENTS OWNED OR CONTROLLED BY ANALOG DEVICES.

REVISIONS			
REV	DESCRIPTION	DATE	APPROVED

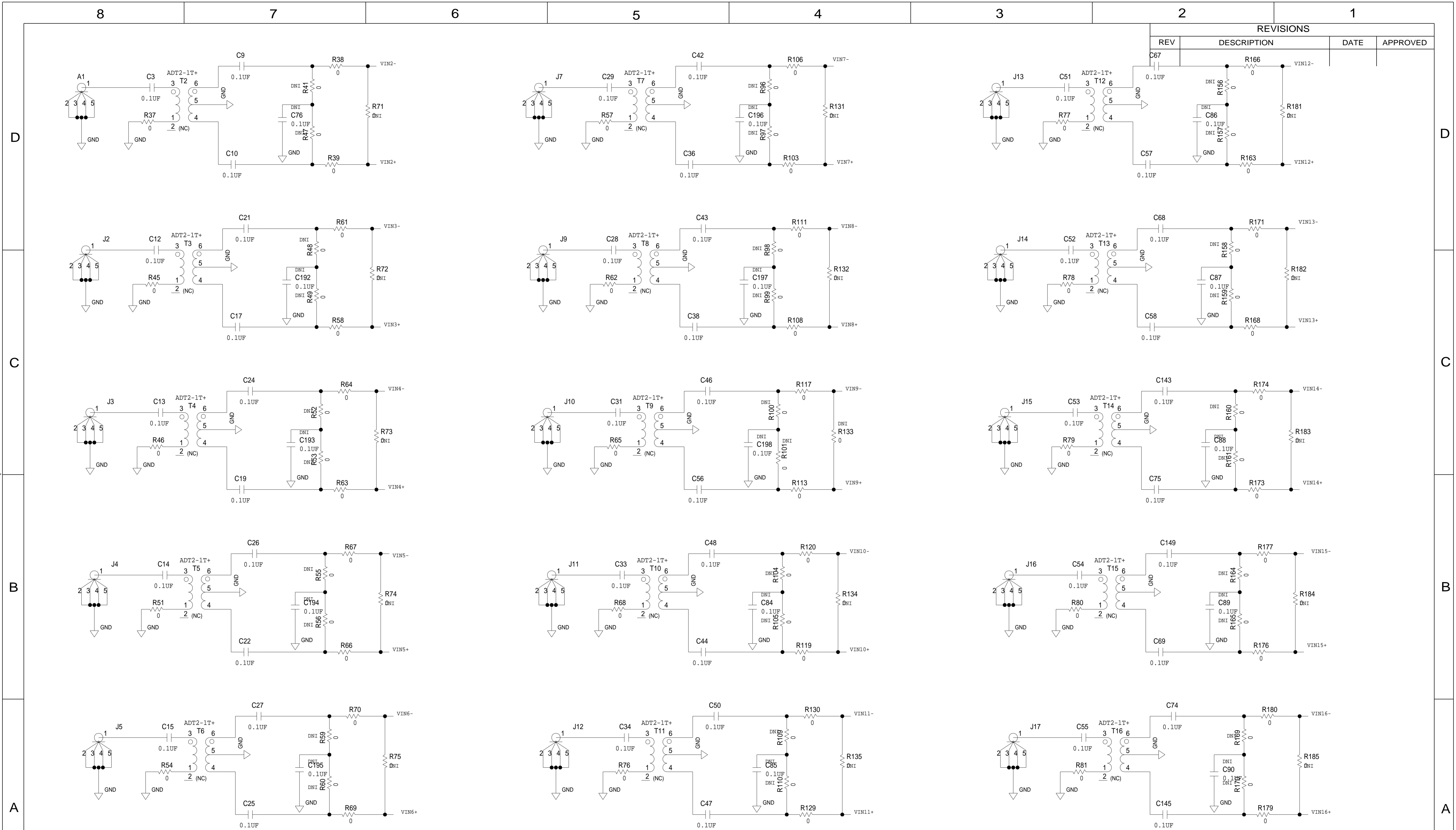
# CH 1 AIN FRONT END



	<b>SCHEMATIC</b>		
	HW TYPE : Customer Evaluation Product(s) : AD9083EBZ : AD9083EBZ		
	DESIGN VIEW <DESIGN_VIEW>	DRAWING NO. 02_059760	REV B
PTD ENGINEER <PTD_ENGINEER>	SIZE D	SCALE 1:1	SHEET 3 OF 10

REVOLUTIONS

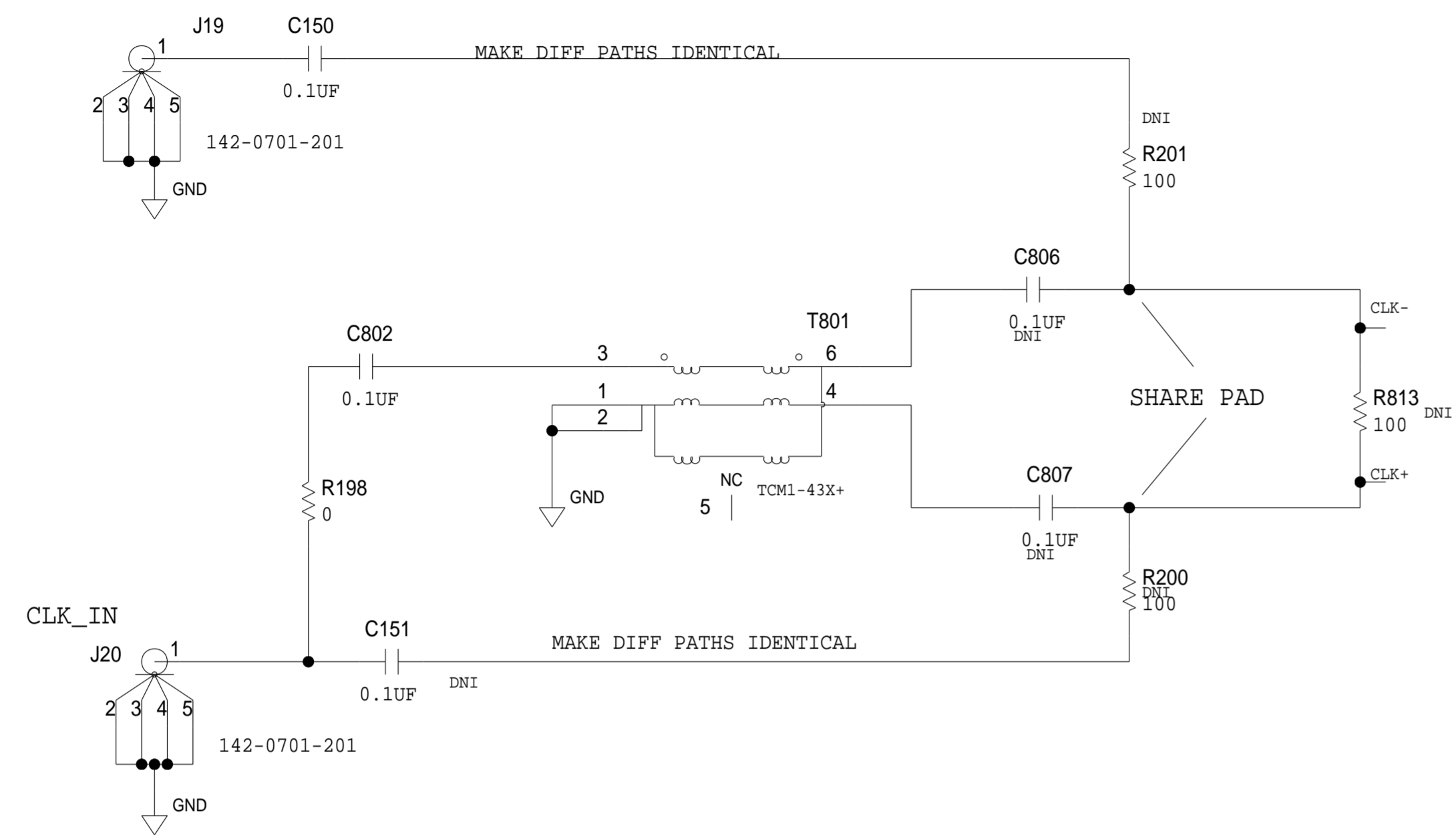
REV	DESCRIPTION	DATE	APPROVED



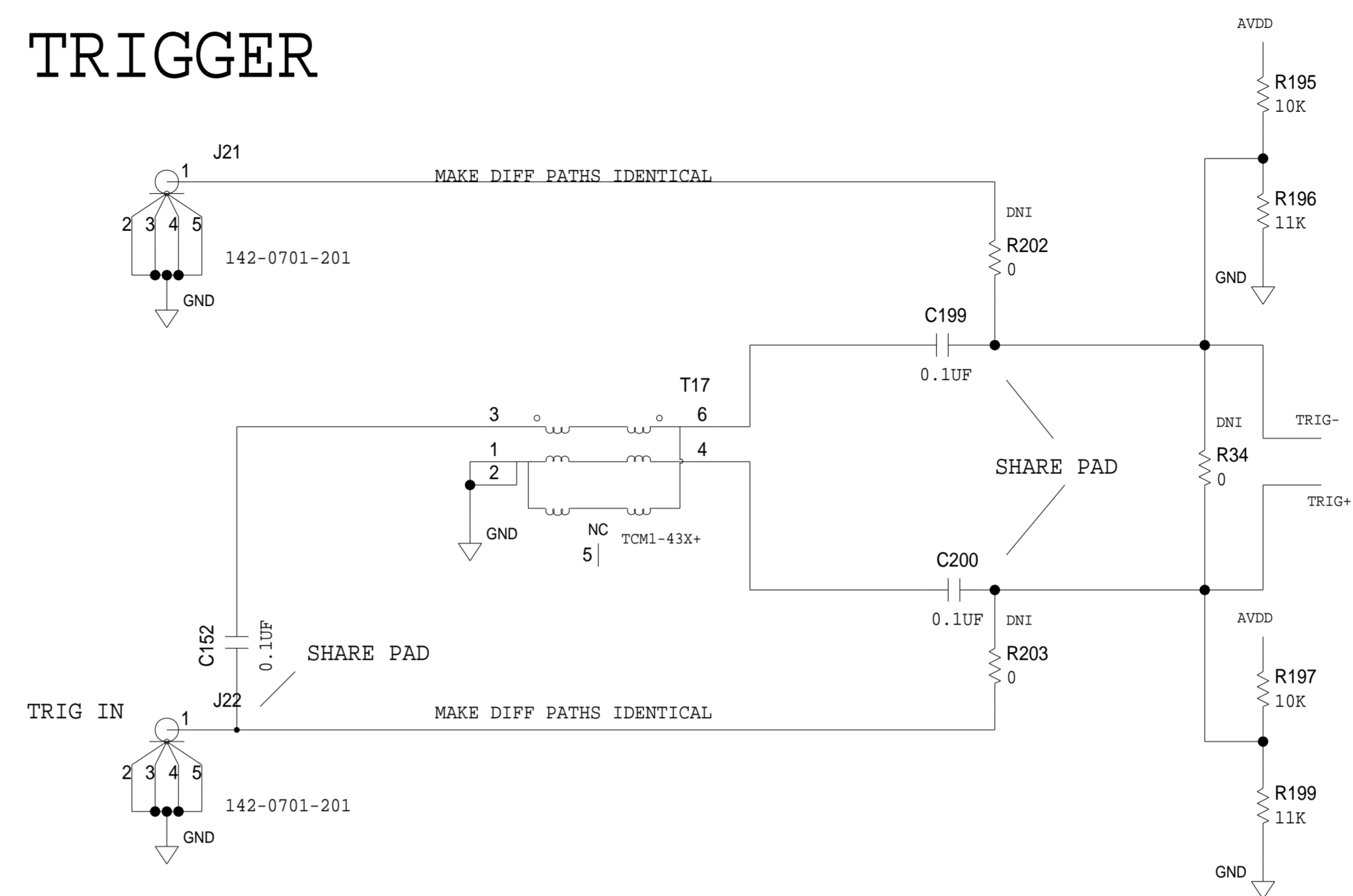
<p>THIS DRAWING IS THE PROPERTY OF ANALOG DEVICES INC. IT IS NOT TO BE REPRODUCED OR COPIED, IN WHOLE OR IN PART, OR USED IN ANY MANNER THAT IS DETRIMENTAL TO THE INTERESTS OF ANALOG DEVICES. THE EQUIPMENT SHOWN HEREIN MAY BE PROTECTED BY PATENTS OWNED OR CONTROLLED BY ANALOG DEVICES.</p>	<b>SCHEMATIC</b>		
	HW TYPE : Customer Evaluation Product(s) : AD9083EBZ : AD9083EBZ		
	DESIGN VIEW <DESIGN_VIEW>	DRAWING NO. 02_059760	REV B
	PTD ENGINEER <PTD_ENGINEER>	SIZE D	SCALE 1:1
		SHEET 4	OF 10

REVISIONS			
REV	DESCRIPTION	DATE	APPROVED

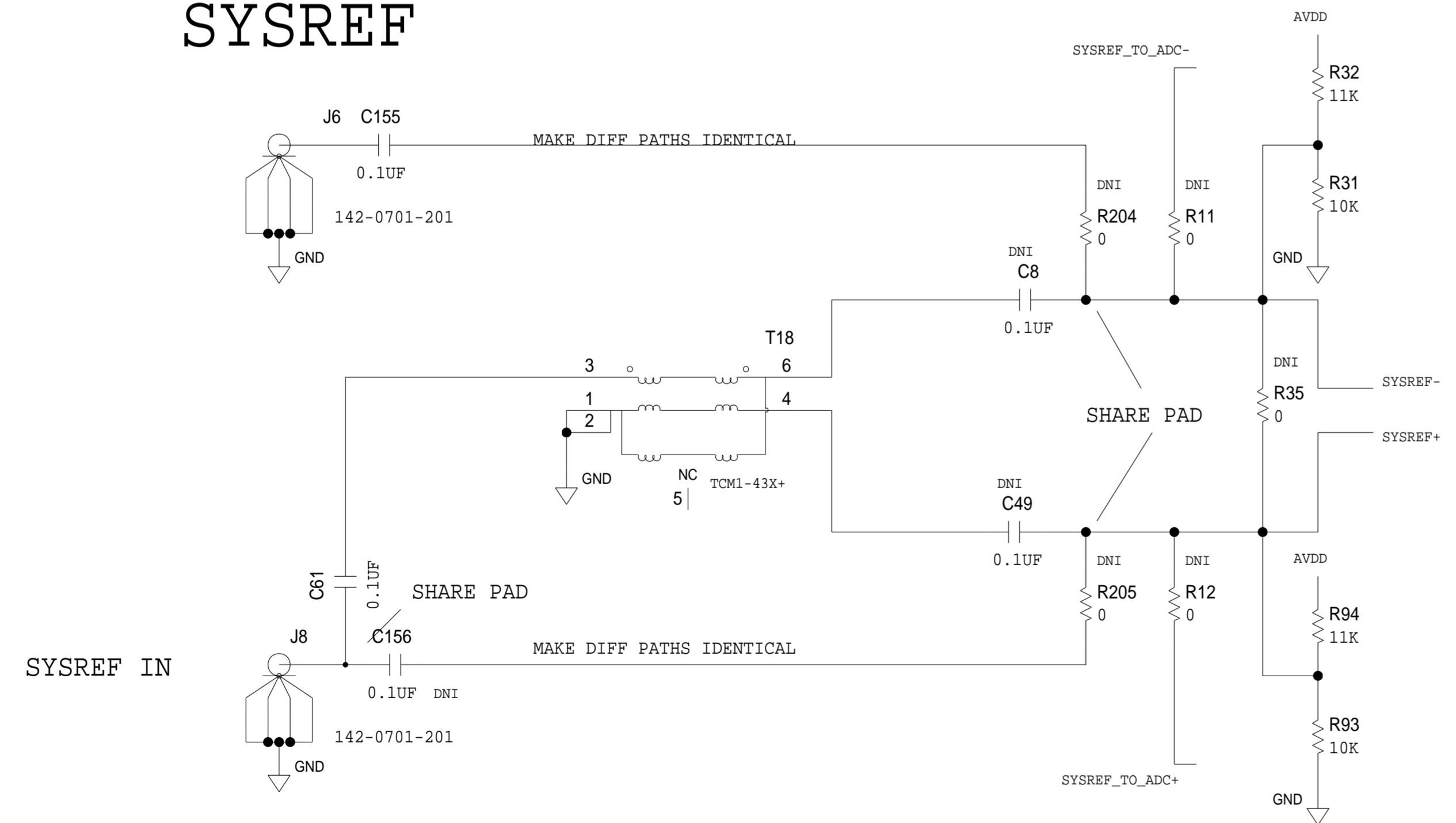
# CLOCK INPUT



# TRIGGER



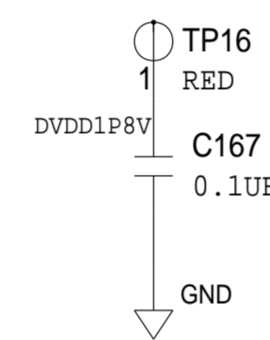
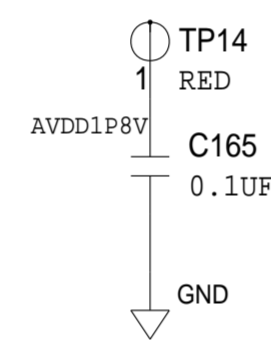
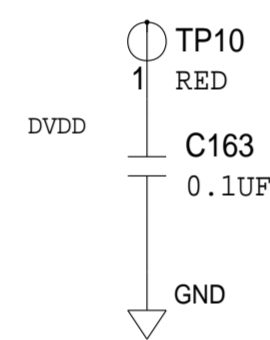
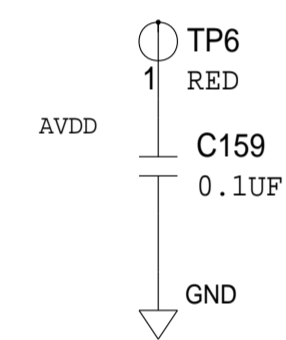
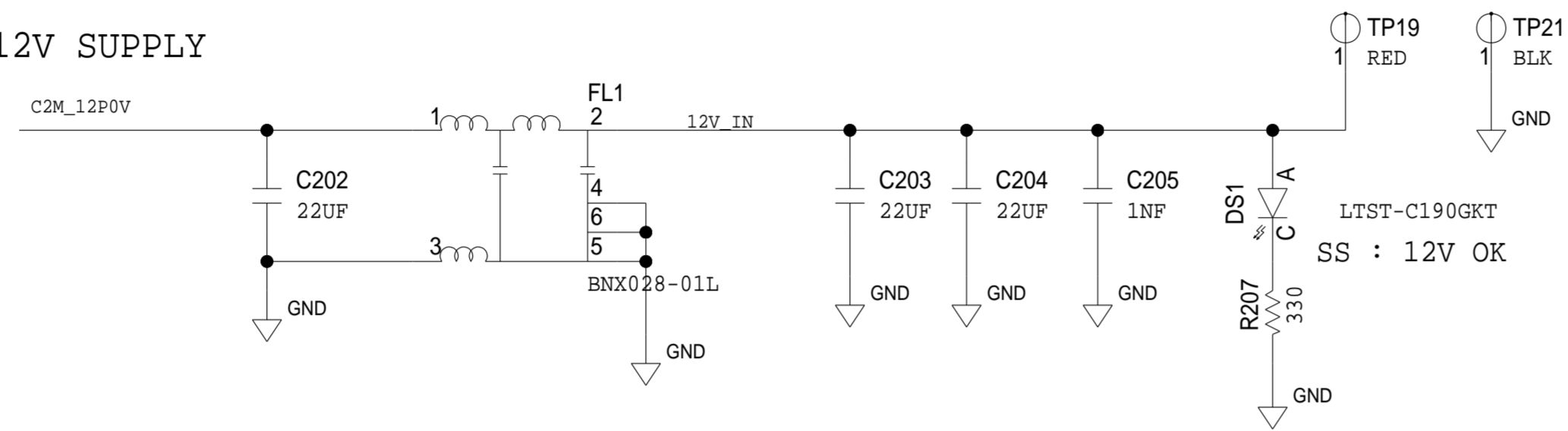
# SYSREF



	<b>SCHEMATIC</b>		
	HW TYPE : Customer Evaluation Product(s) : AD9083EBZ : AD9083EBZ		
	DESIGN VIEW <DESIGN_VIEW>	DRAWING NO. 02_059760	REV B
	PTD ENGINEER <PTD_ENGINEER>	SIZE D	SCALE 1:1
		SHEET 5 OF 10	

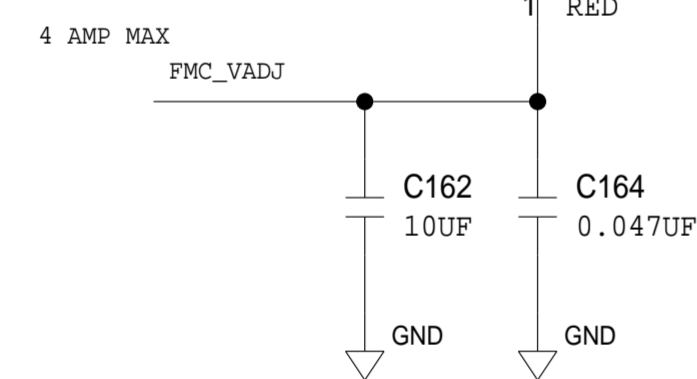
REVISIONS			
REV	DESCRIPTION	DATE	APPROVED

FMC 12V SUPPLY

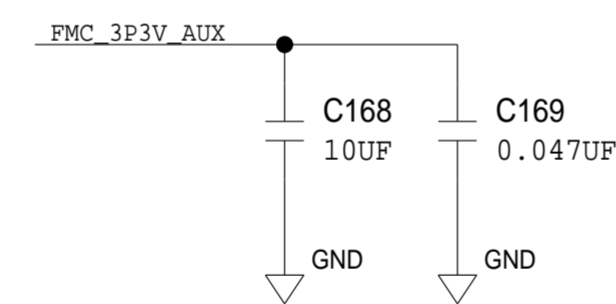


FILTER NETWORKS NEAR FMC CONNECTOR

FMC VADJ 1.8V SUPPLY



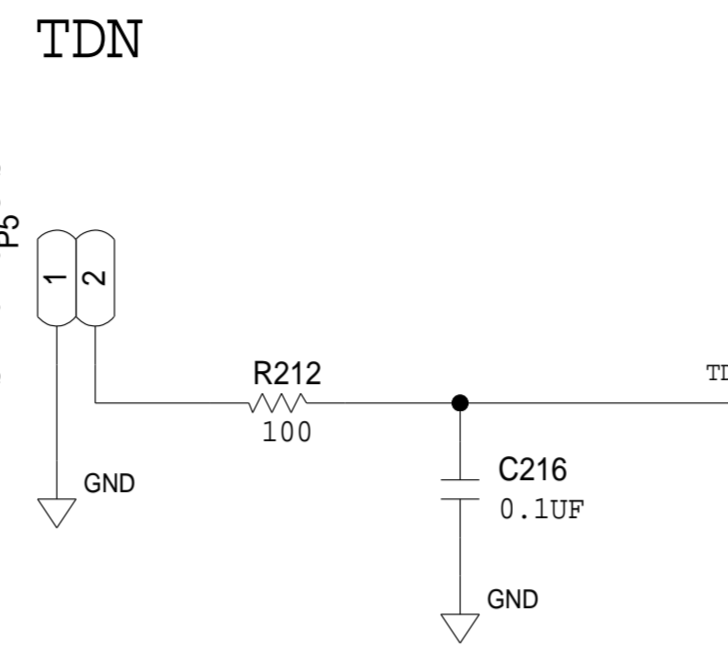
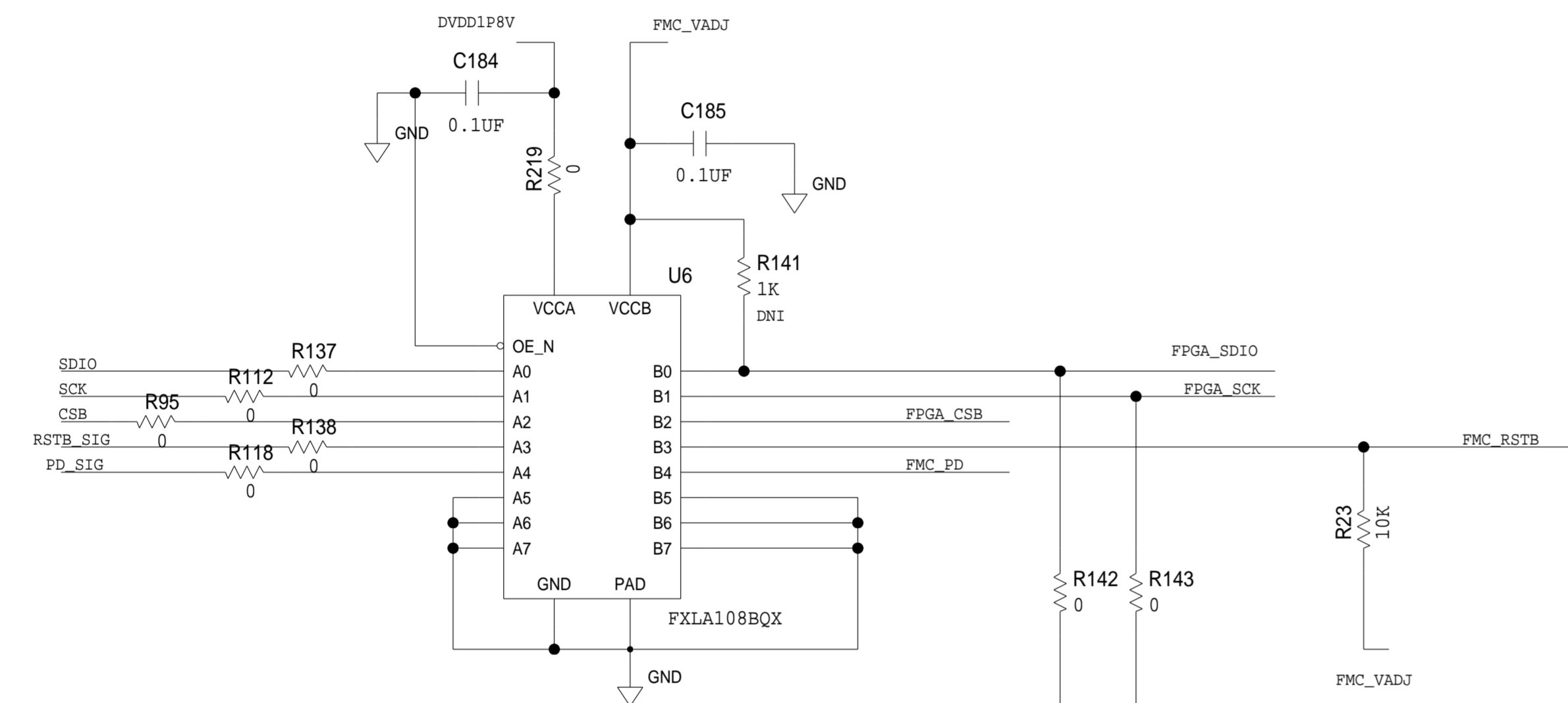
FMC 3.3V SUPPLY



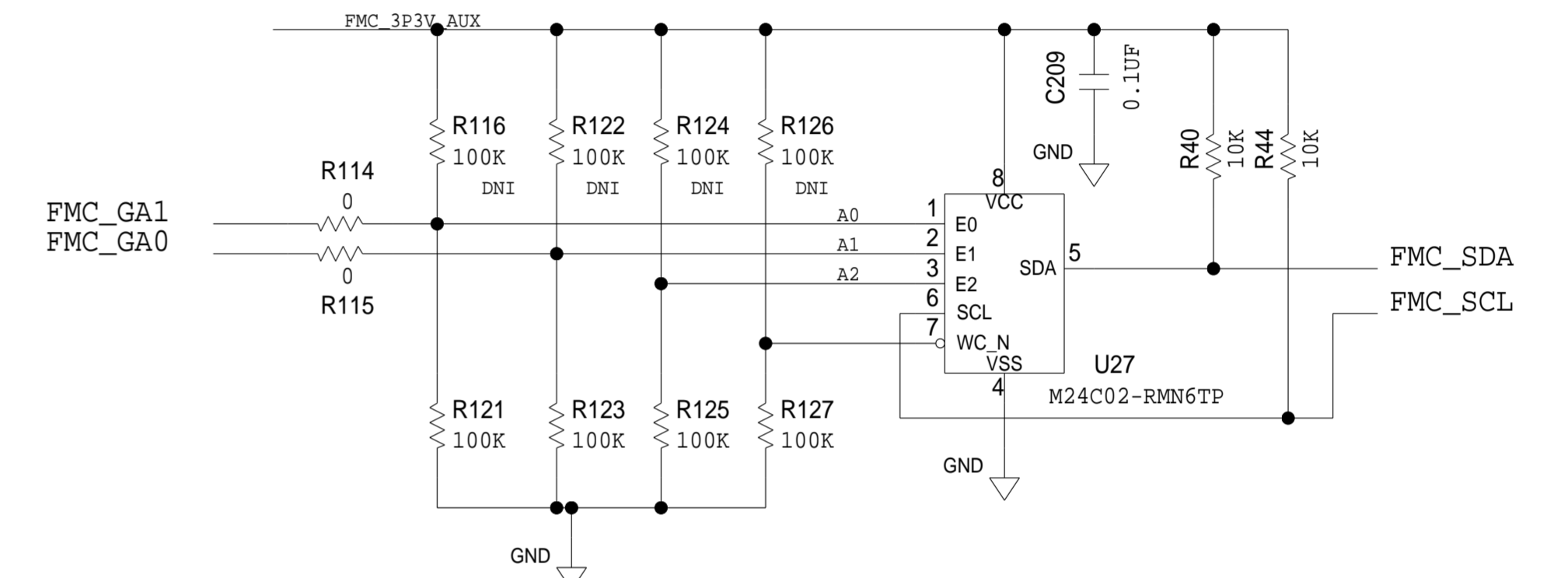
	<b>SCHEMATIC</b>		
	HW TYPE : Customer Evaluation Product(s) : AD9083EBZ : AD9083EBZ		
	DESIGN VIEW <DESIGN_VIEW>	DRAWING NO. 02_059760	REV B
	PTD ENGINEER <PTD_ENGINEER>	SIZE D	SCALE 1:1
		SHEET 6 OF 10	

REVISIONS			
REV	DESCRIPTION	DATE	APPROVED

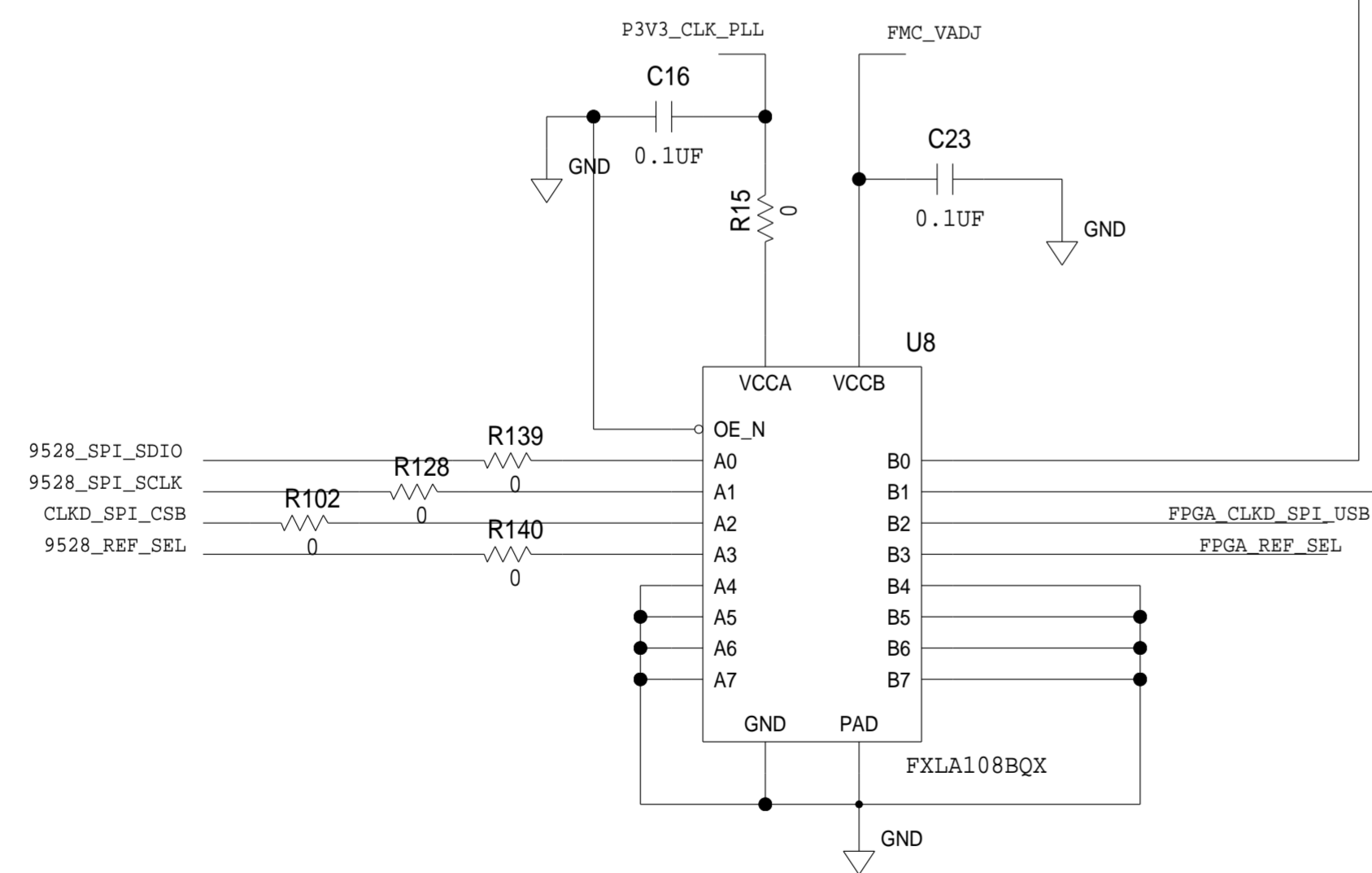
### 3-WIRE SPI



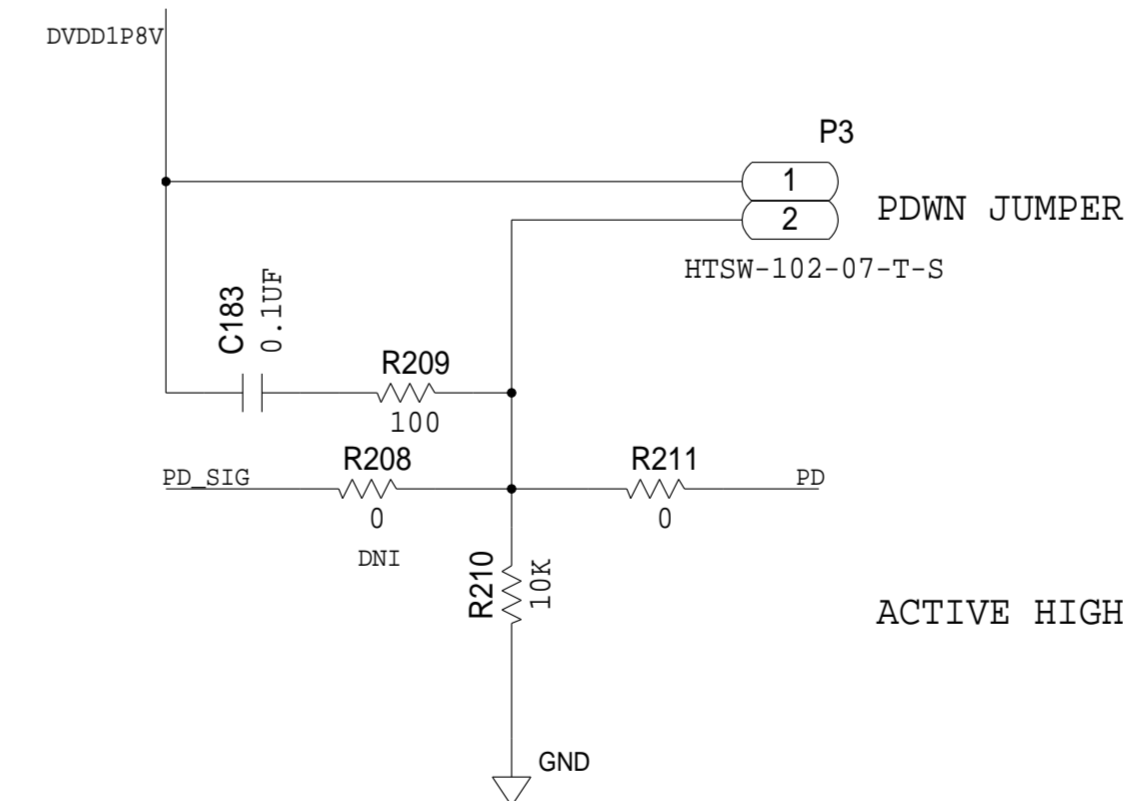
### EEPROM



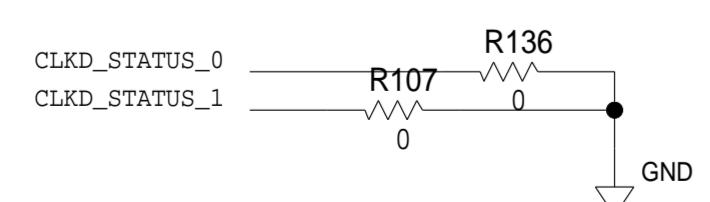
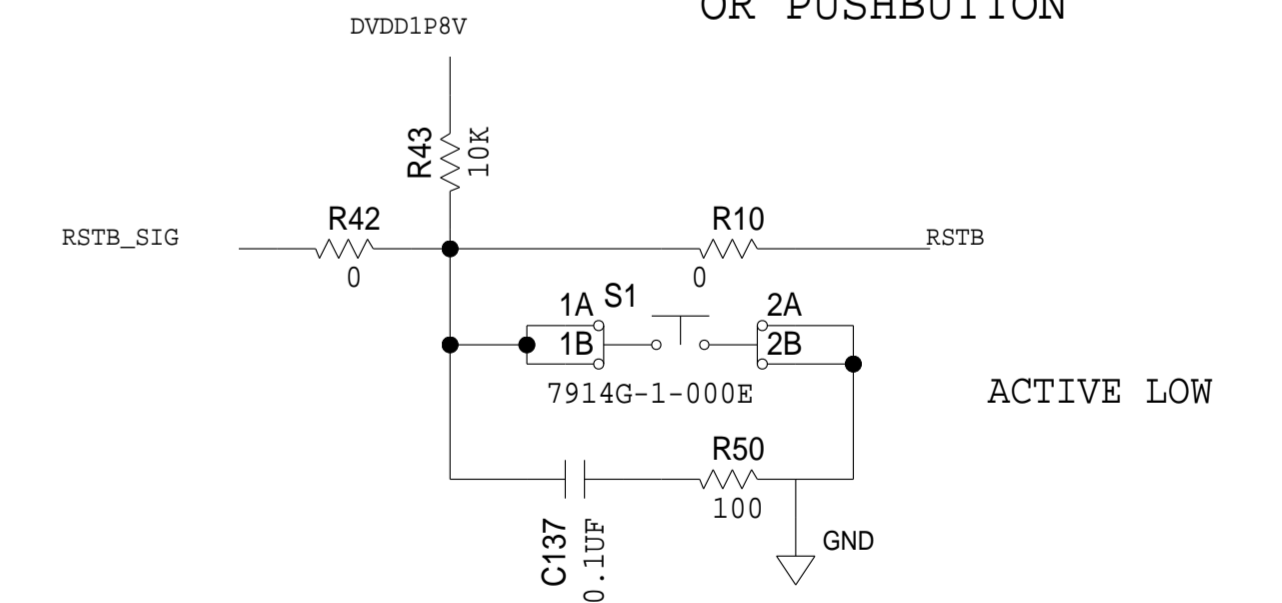
### POWER DOWN / RESET



#### PDWN FROM FPGA, JUMPER, OR PUSHBUTTON

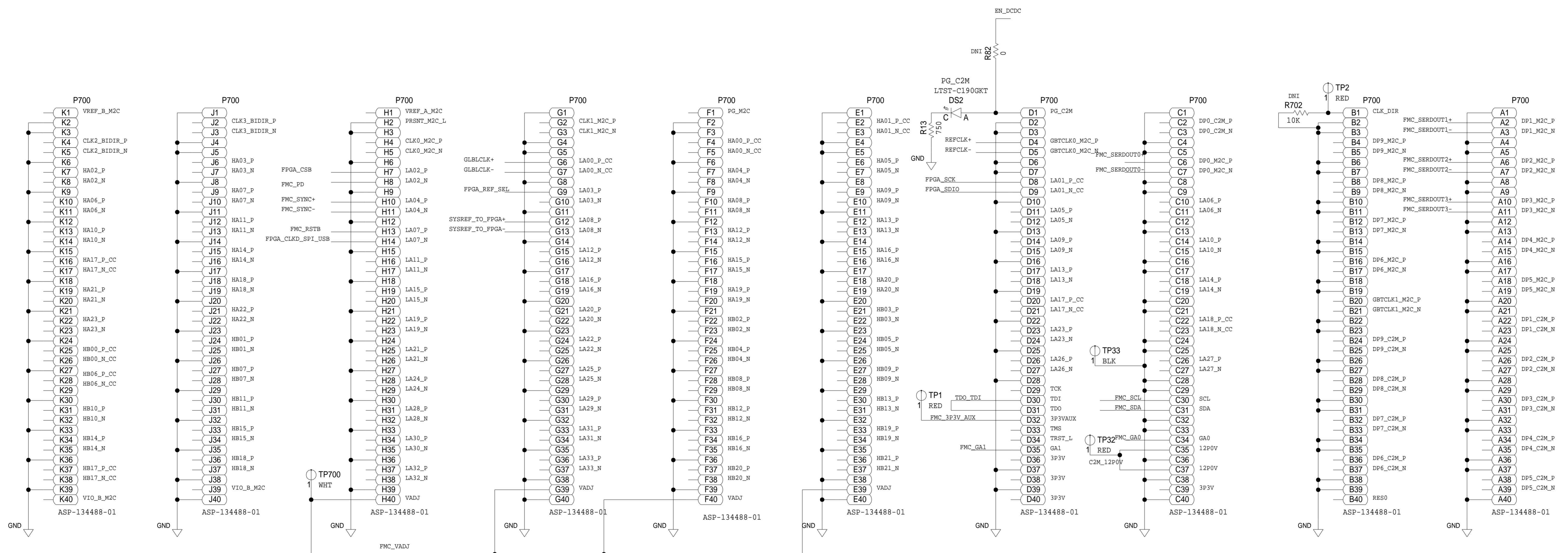


#### RSTB FROM FPGA OR SVDD2 POWERUP OR PUSHBUTTON



ANALOG DEVICES		SCHEMATIC		
<small>THIS DRAWING IS THE PROPERTY OF ANALOG DEVICES INC. IT IS NOT TO BE REPRODUCED OR COPIED, IN WHOLE OR IN PART, OR USED IN ANY MANNER THAT WOULD BE DETRIMENTAL TO THE INTERESTS OF ANALOG DEVICES. THE EQUIPMENT SHOWN HEREIN MAY BE PROTECTED BY PATENTS OWNED OR CONTROLLED BY ANALOG DEVICES.</small>		HW TYPE : Customer Evaluation Product(s) : AD9083EBZ : AD9083EBZ		REV B
DESIGN VIEW <DESIGN_VIEW>		DRAWING NO. 02_059760		REV B
PTD ENGINEER <PTD_ENGINEER>		SIZE D	SCALE 1:1	SHEET 7 OF 10

REVISIONS			
REV	DESCRIPTION	DATE	APPROVED

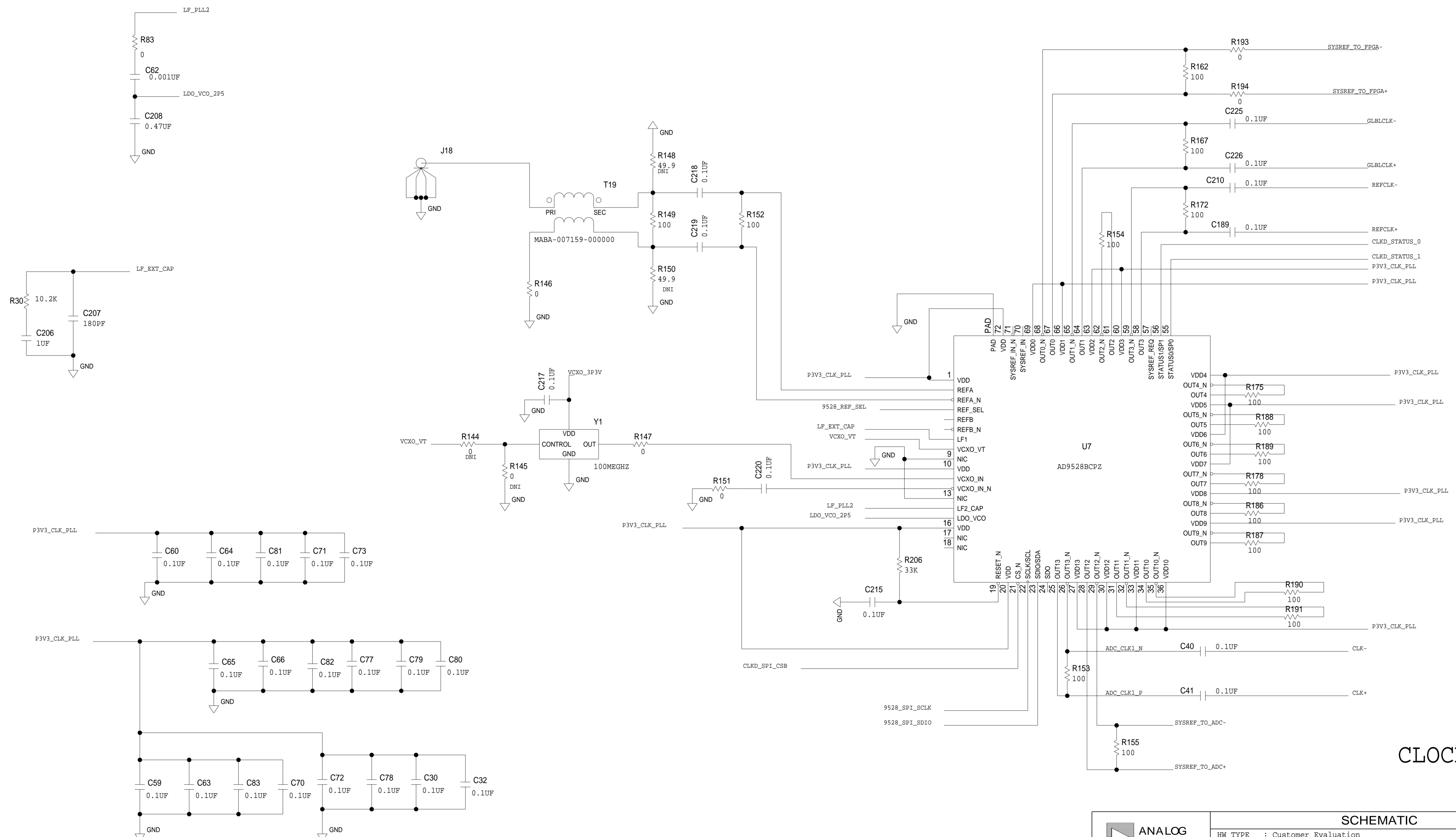


SCHEMATIC			
		HW TYPE : Customer Evaluation Product(s) : AD9083EBZ : AD9083EBZ	
DESIGN VIEW <DESIGN_VIEW>	DRAWING NO. 02_059760	REV B	
PTD ENGINEER <PTD_ENGINEER>	SIZE D	SCALE 1:1	SHEET 8 OF 10



# AD9528

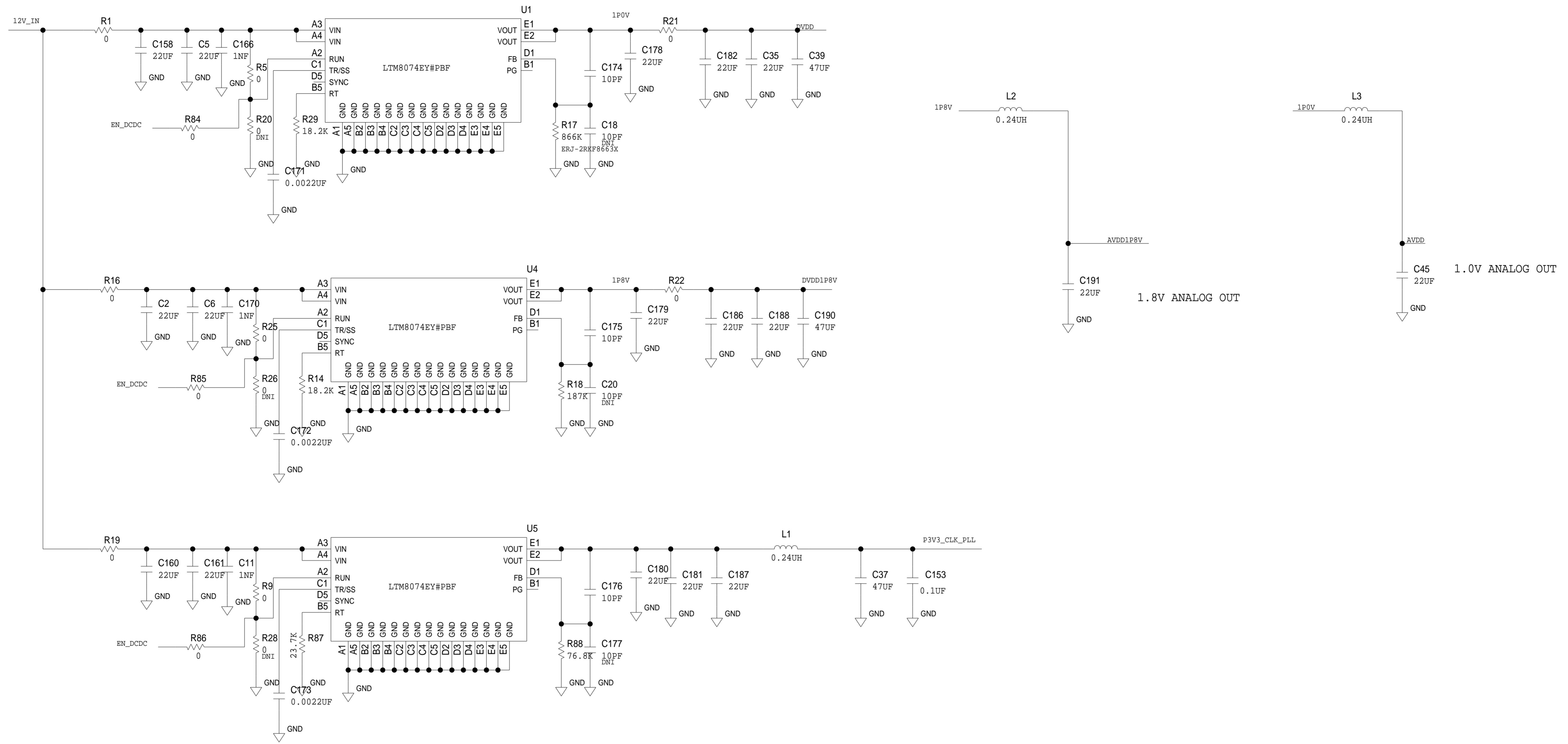
REVISIONS			
REV	DESCRIPTION	DATE	APPROVED



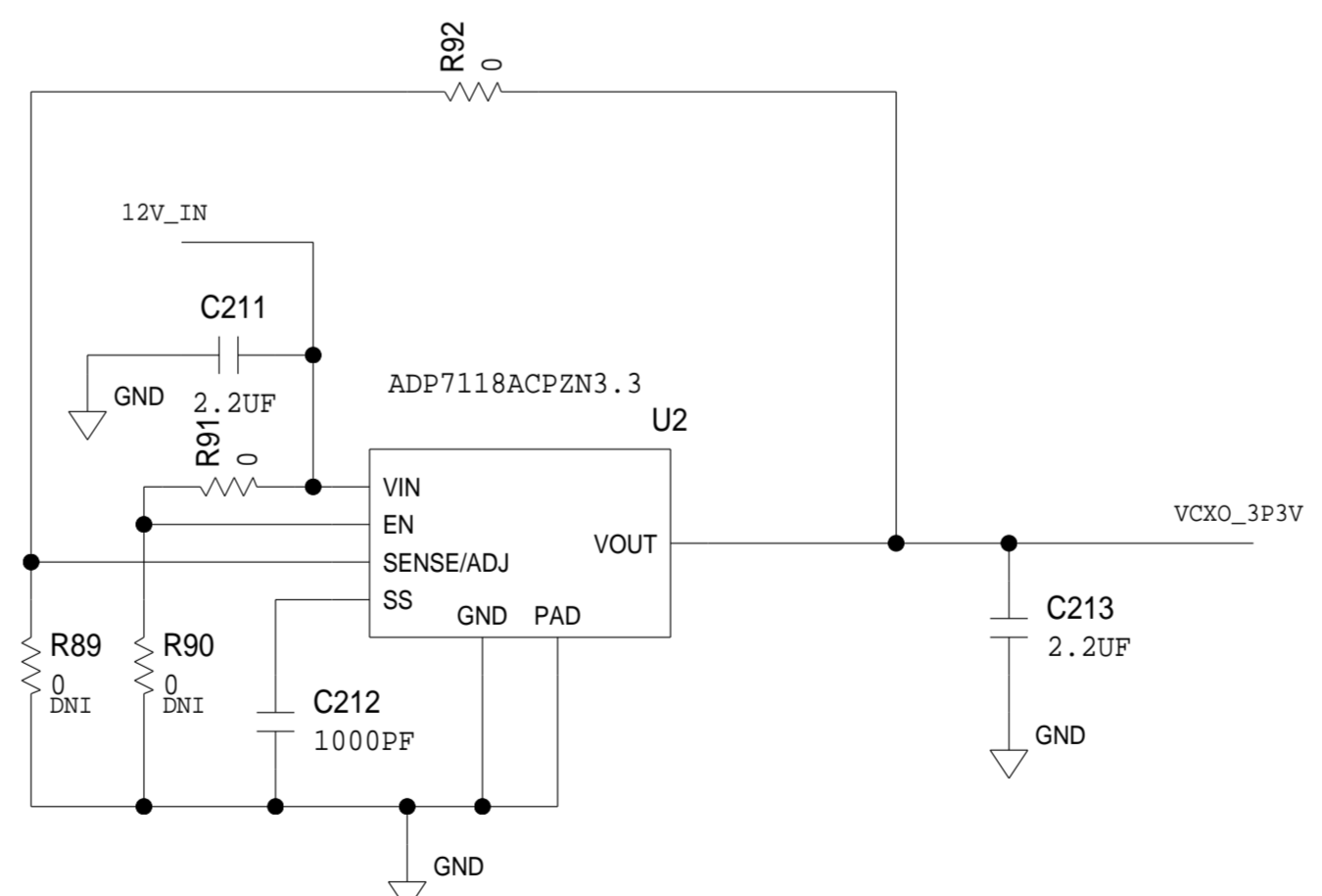
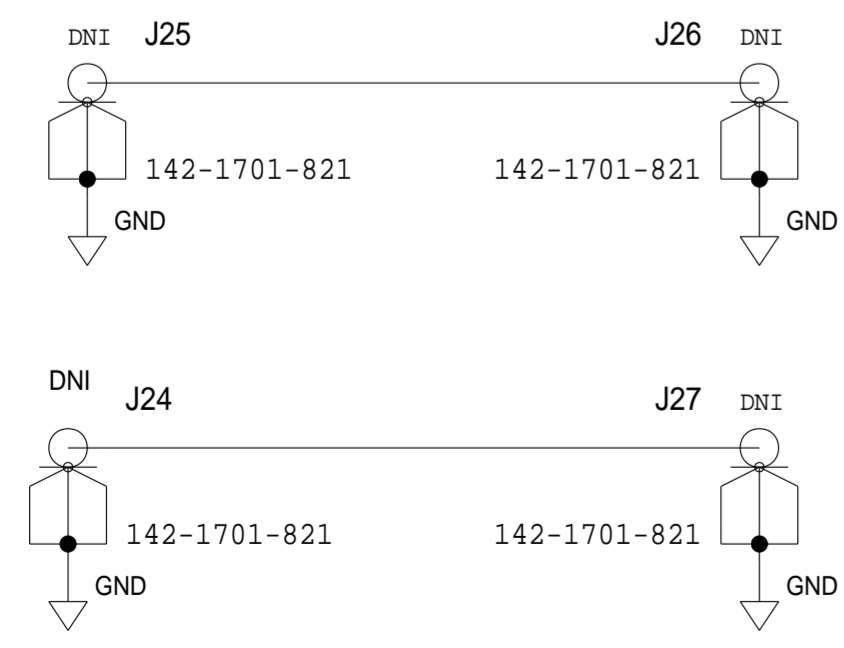
## CLOCKING

	<b>SCHMATIC</b>		
	HW TYPE : Customer Evaluation Product(s) : AD9083EBZ : AD9083EBZ		
	DESIGN VIEW <DESIGN_VIEW>	DRAWING NO. 02_059760	REV B
	PTD ENGINEER <PTD_ENGINEER>	SIZE D	SCALE 1:1
		SHEET 9 OF 10	

REVISIONS			
REV	DESCRIPTION	DATE	APPROVED



### BEATY STRUCTURE



ANALOG DEVICES				SCHEMATIC			
<small>THIS DRAWING IS THE PROPERTY OF ANALOG DEVICES INC. IT IS NOT TO BE REPRODUCED OR COPIED, IN WHOLE OR IN PART, OR USED IN FURNISHING INFORMATION TO OTHERS, OR FOR ANY OTHER PURPOSE DETRIMENTAL TO THE INTERESTS OF ANALOG DEVICES. THE EQUIPMENT SHOWN HEREON MAY BE PROTECTED BY PATENTS OWNED OR CONTROLLED BY ANALOG DEVICES.</small>				HW TYPE : Customer Evaluation		DRAWING NO. 02_059760	
				Product(s) : AD9083EBZ : AD9083EBZ		REV B	
DESIGN VIEW <DESIGN_VIEW>		SCALE 1:1	SHEET 10 OF 10		REV B		
PTD ENGINEER <PTD_ENGINEER>		SIZE D					