

THIS DRAWING IS THE PROPERTY OF ANALOG DEVICES INC. IT IS NOT TO BE REPRODUCED OR COPIED, IN WHOLE OR IN PART, OR USED IN FURNISHING INFORMATION TO OTHERS, OR FOR ANY OTHER PURPOSE DETRIMENTAL TO THE INTERESTS OF ANALOG DEVICES. THE EQUIPMENT SHOWN HEREON MAY BE PROTECTED BY PATENTS OWNED OR CONTROLLED BY ANALOG DEVICES.

RELAY CONTROL CHART

CONTROL	CODE	DEVICE	FUNCTION	CONNECTOR

JUMPER TABLE		
JP#	ON	OFF
1		
2		
3		
4		
5		

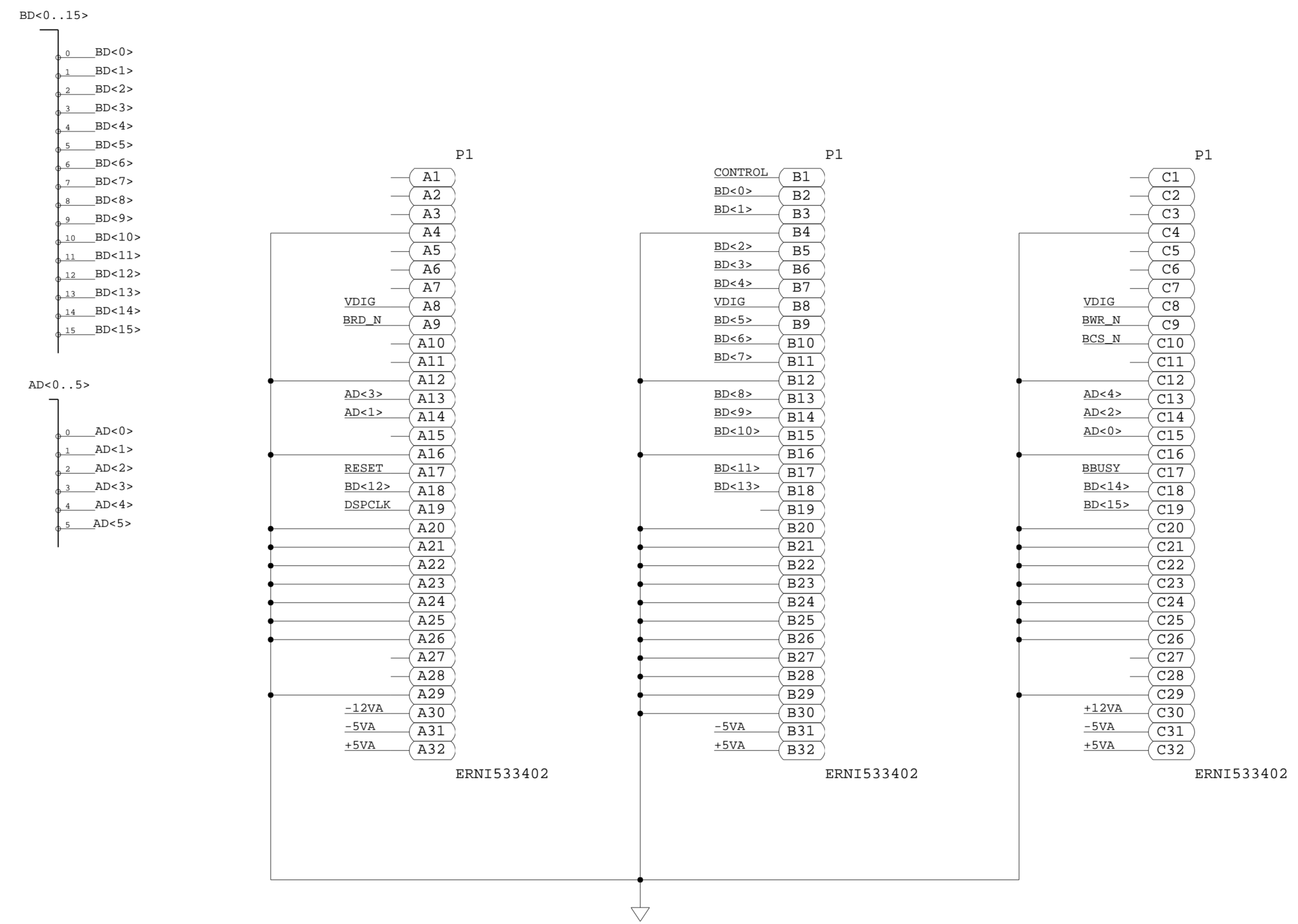
* SEE ASSEMBLY INSTRUCTIONS

REVISIONS			
REV	DESCRIPTION	DATE	APPROVED

P.O SPEC.	BK/BD SPEC.	SOCKET OEM	OEM PART#	HANDLER

TEMPLATE ENGINEER N/A	DATE	SCHEMATIC	
HARDWARE SERVICES N/A			
HARDWARE SYSTEMS N/A		HW TYPE : AD7985/6 EVAL BD Z	DRAWING NO. 02-5010090
TEST ENGINEER N/A		Product(s) : AD7985, AD7986, AD7949	
COMPONENT ENGINEER N/A		PACKAGE : 20-lead ?X? LFCSP-family	
TEST PROCESS N/A		TESTER : N/A	REV. D
HARDWARE RELEASE N/A		CONTACTOR : N/A	
DESIGNER M.Lewin	09AUG10	HANDLER : N/A	UNLESS OTHERWISE SPECIFIED DIMENSIONS ARE IN INCHES TOLERANCES DECIMALS FRACTIONS ANGLES X.XX +-0.010 +-1/32 +-2 X.XXX +-0.005
PTD ENGINEER C.Augusta	09AUG10	MASTER PROJECT TEMPLATE TBD	
CHECKER *		TESTER TEMPLATE N/A	SCALE None
			CODE ID NO. 24355
			SHEET 1 OF 8

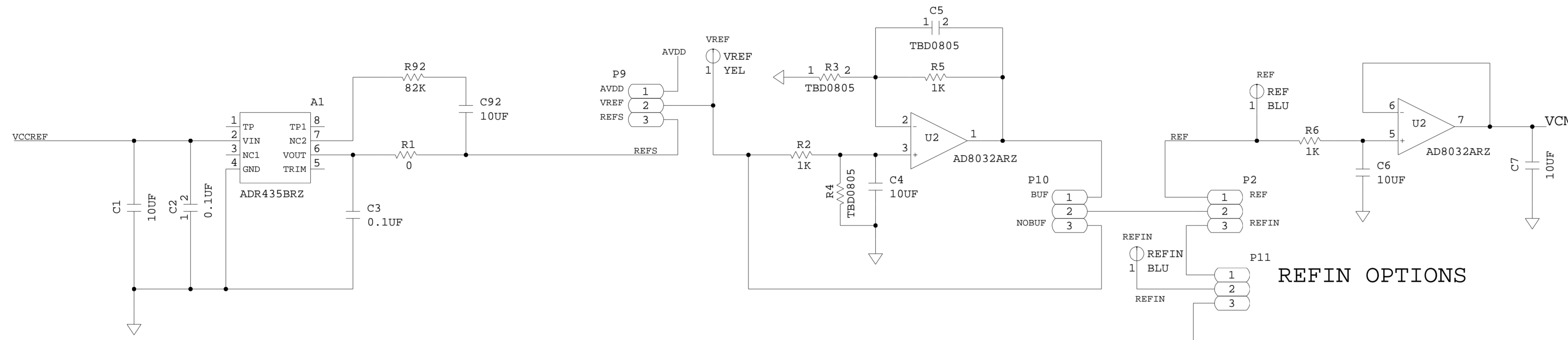
REVISIONS			
REV	DESCRIPTION	DATE	APPROVED



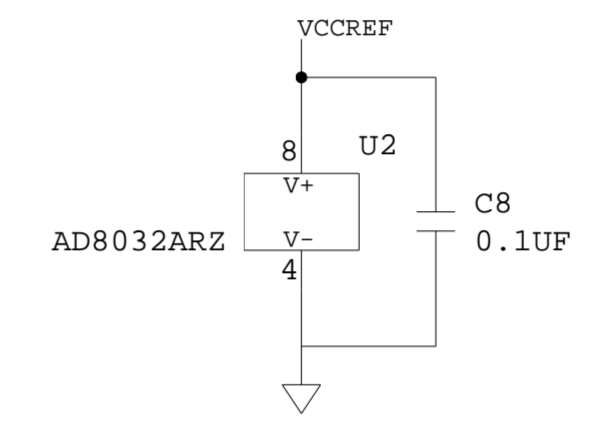
	SCHEMATIC		
	HW TYPE : AD7985/6 EVAL BD Z Product(s): AD7985, AD7986, AD7949		
	DESIGN VIEW <DESIGN_VIEW>	DRAWING NO. 02-5010090	REV D
PTD ENGINEER C. Augusta	SIZE D	SCALE None	SHEET 2 OF 8

REVISIONS			
REV	DESCRIPTION	DATE	APPROVED

EXTERNAL REFERENCE OPTIONS

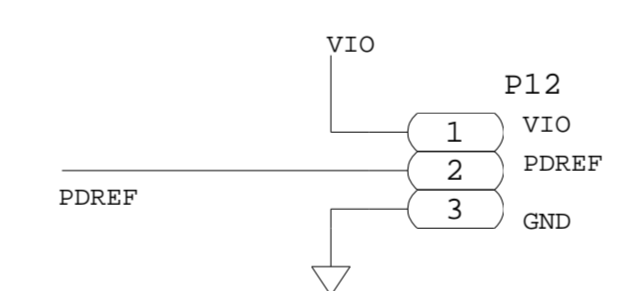


BIASING USING ADC REF



REFIN OPTIONS

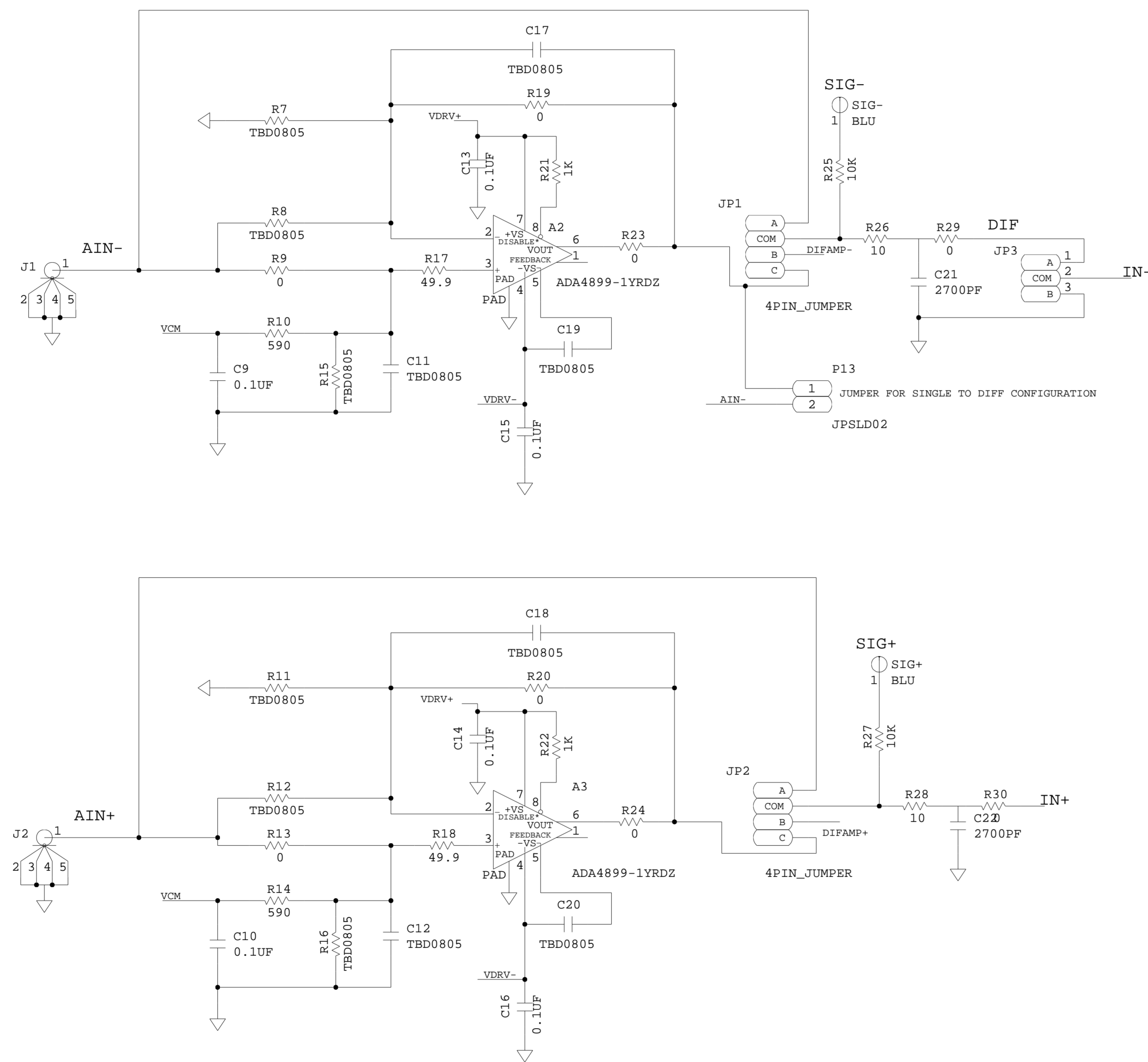
PDREF OPTIONS



	SCHEMATIC		
	HW TYPE : AD7985/6 EVAL BD Z Product(s): AD7985, AD7986, AD7949		
DESIGN VIEW <DESIGN_VIEW>	DRAWING NO. 02-5010090	REV D	
PTD ENGINEER C. Augusta	SIZE D	SCALE None	SHEET 3 OF 8

REVISIONS			
REV	DESCRIPTION	DATE	APPROVED

ADC BUFFERS

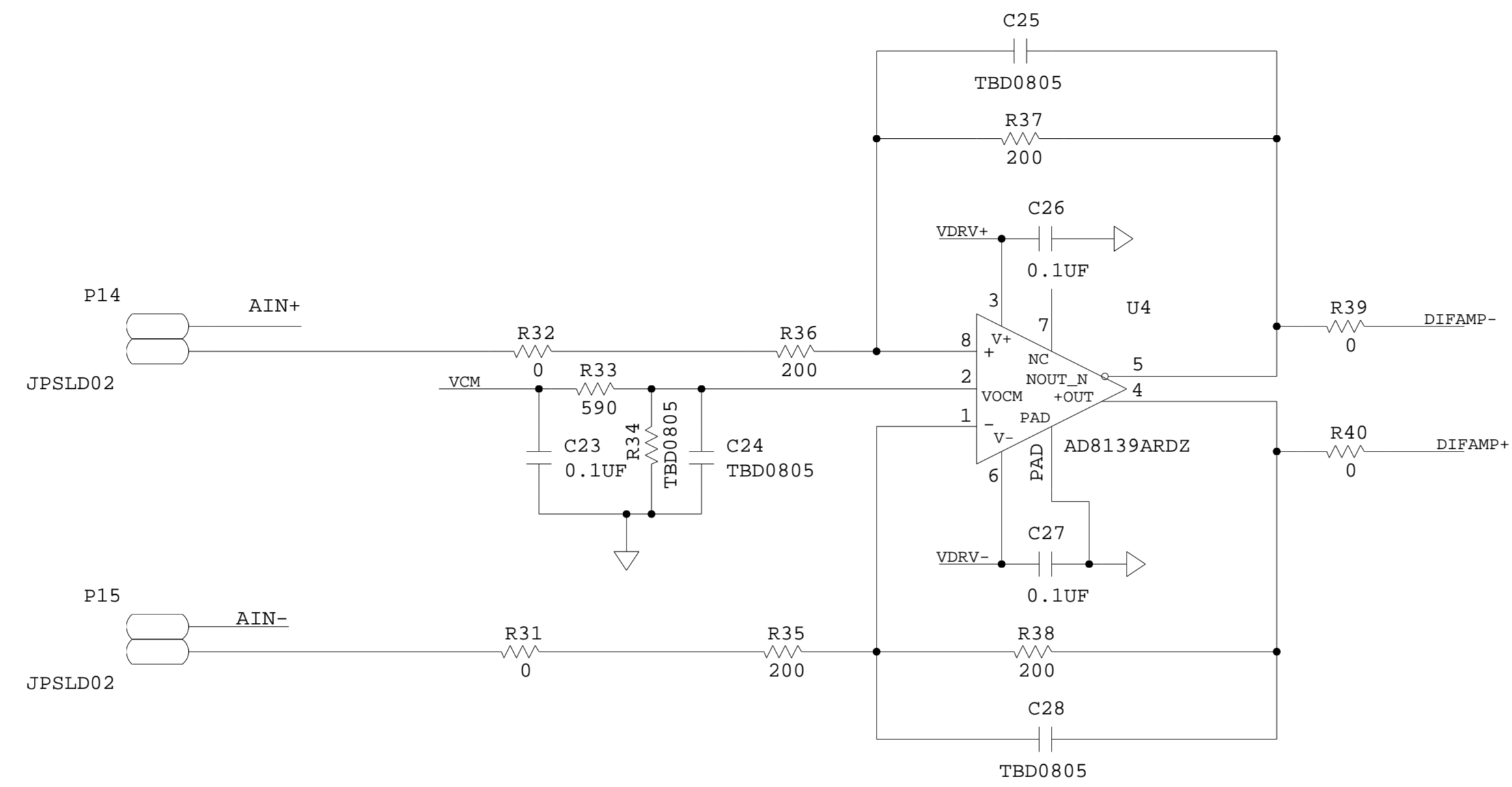


	SCHEMATIC		
	HW TYPE : AD7985/6 EVAL BD Z Product(s): AD7985, AD7986, AD7949		
DESIGN VIEW <DESIGN_VIEW>	DRAWING NO. 02-5010090	REV D	
PTD ENGINEER C. Augusta	SIZE D	SCALE None	SHEET 4 OF 8

REVISIONS			
REV	DESCRIPTION	DATE	APPROVED

ADC BUFFERS CONTINUED --> DIFF AMP ODPTION

NOT NORMALLY POPULATED

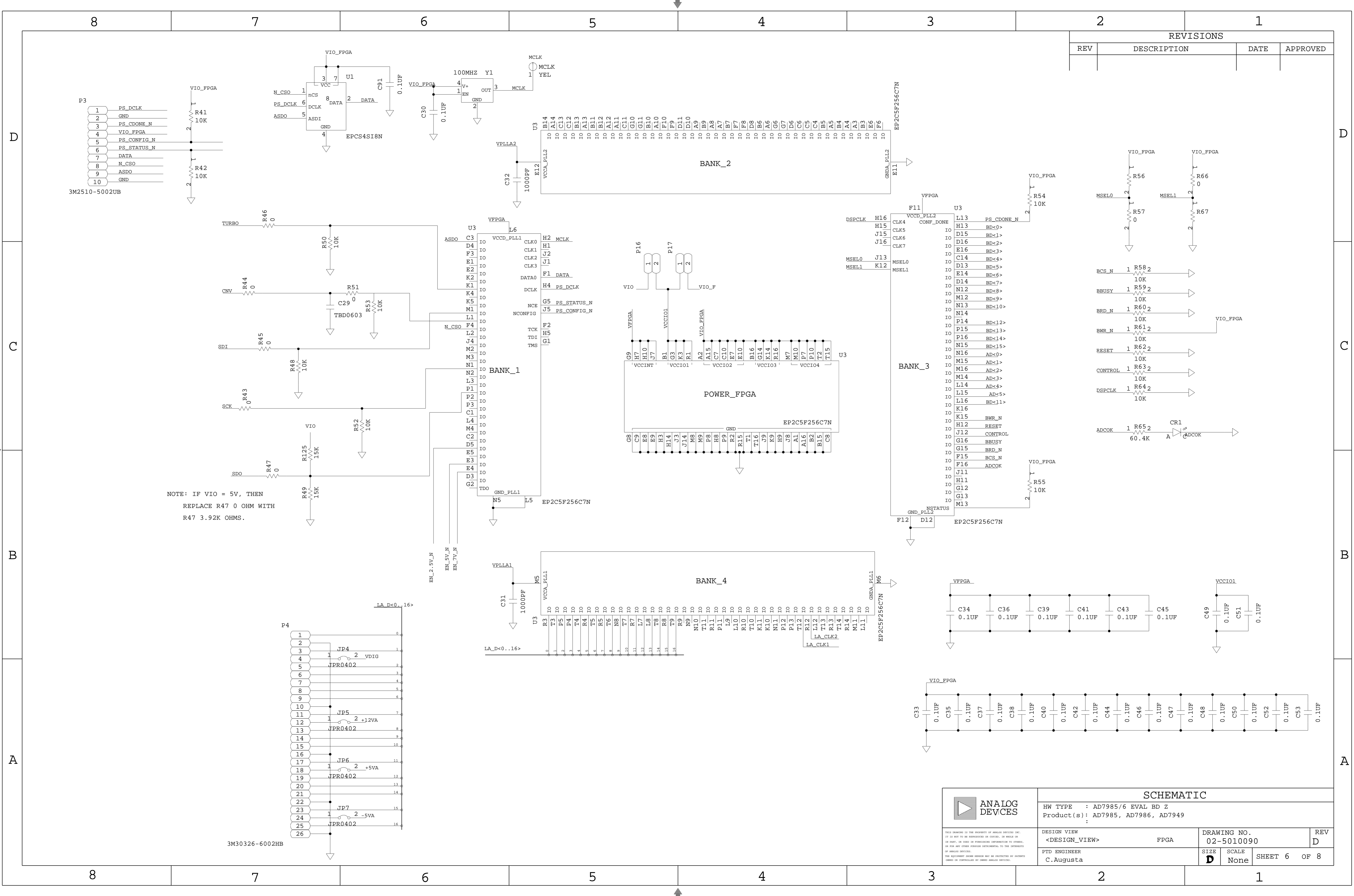


D
C
B
A

D
C
B
A

	SCHEMATIC		
	HW TYPE : AD7985/6 EVAL BD Z Product(s): AD7985, AD7986, AD7949		
DESIGN VIEW <DESIGN_VIEW>	DRAWING NO. 02-5010090	REV D	
PTD ENGINEER C. Augusta	SIZE D	SCALE None	SHEET 5 OF 8

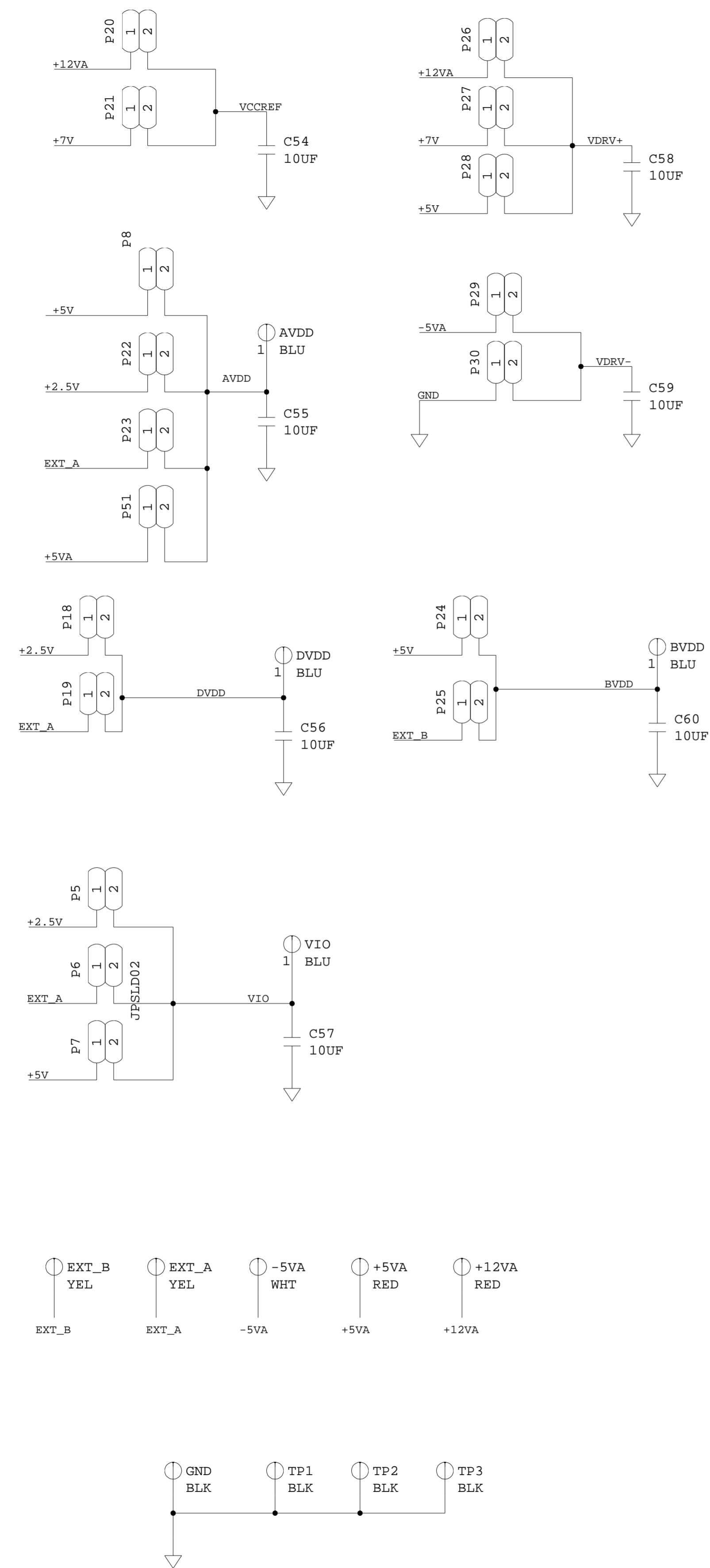
REVISIONS			
REV	DESCRIPTION	DATE	APPROVED



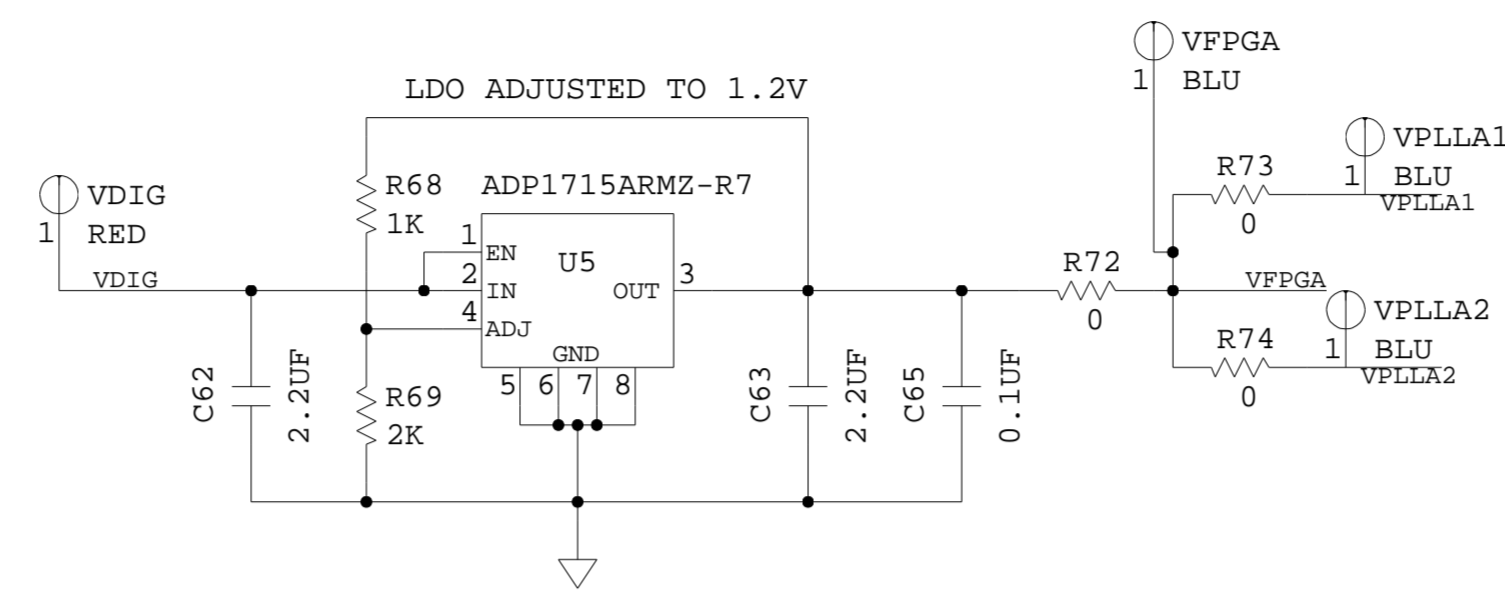
NOTE: IF VIO = 5V, THEN
REPLACE R47 0 OHM WITH
R47 3.92K OHMS.

SCHEMATIC			
ANALOG DEVICES		HW TYPE : AD7985/6 EVAL BD Z Product(s): AD7985, AD7986, AD7949	
DESIGN VIEW <DESIGN_VIEW>	FPGA	DRAWING NO. 02-5010090	REV D
PTD ENGINEER C. Augusta	SIZE D	SCALE None	SHEET 6 OF 8

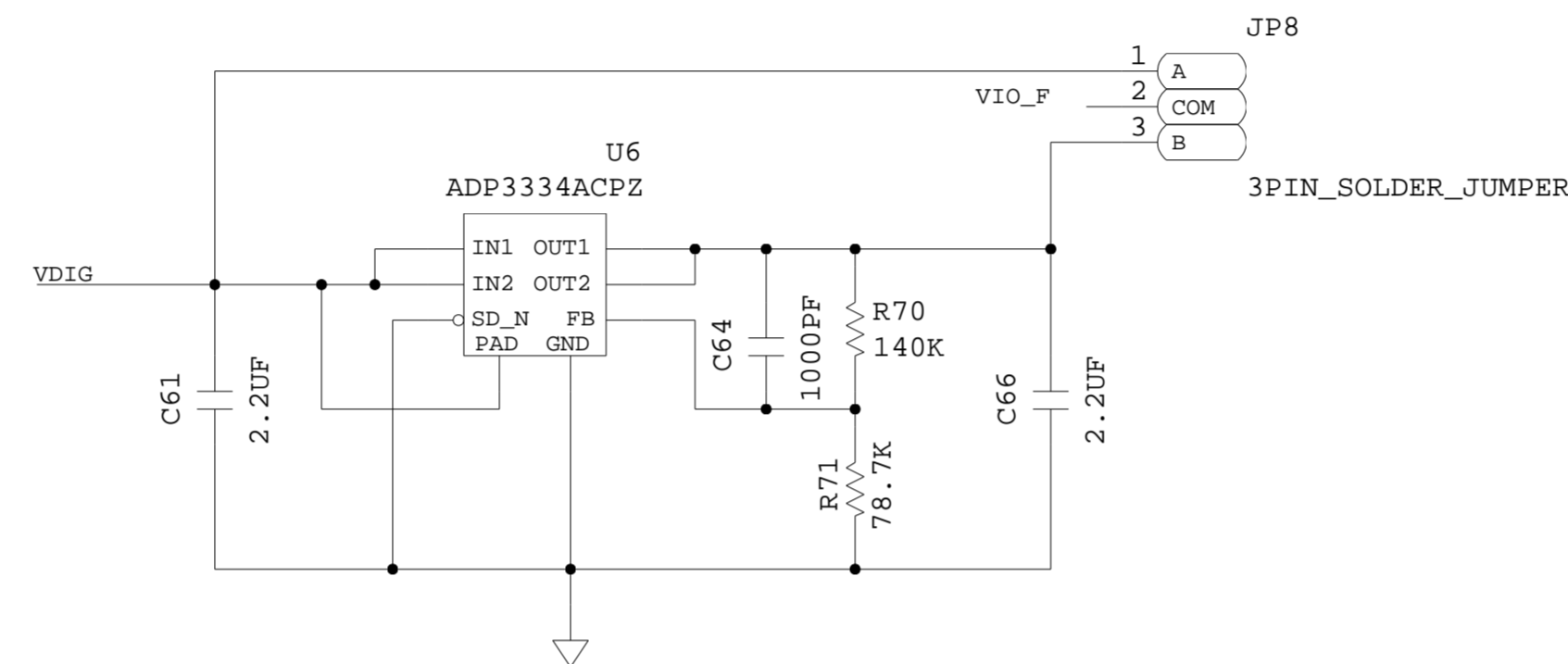
SUPPLY OPTIONS



FPGA SUPPLIES

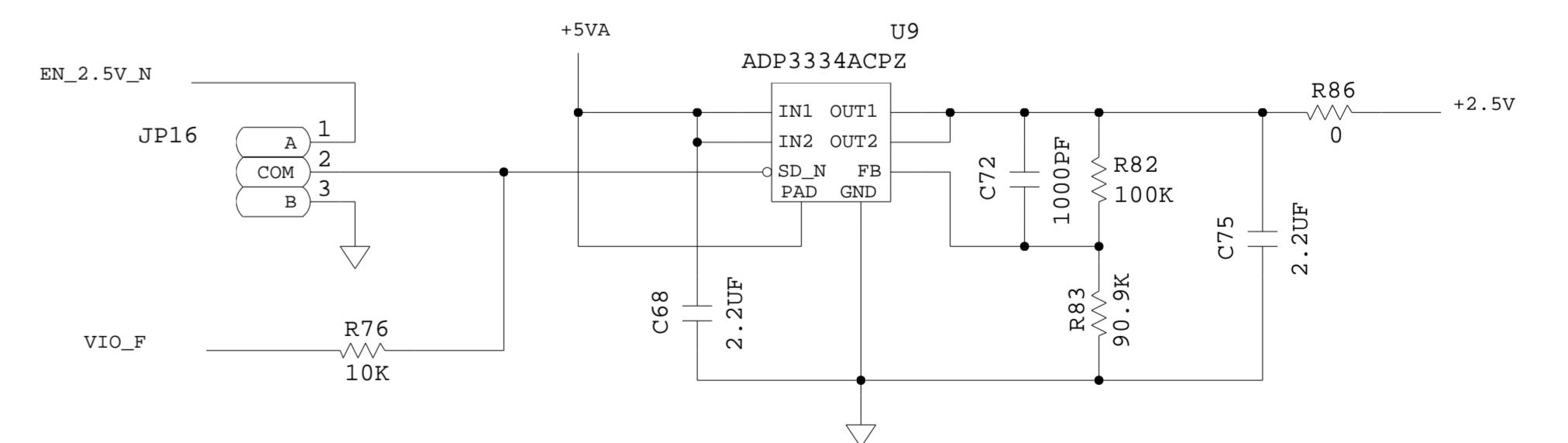
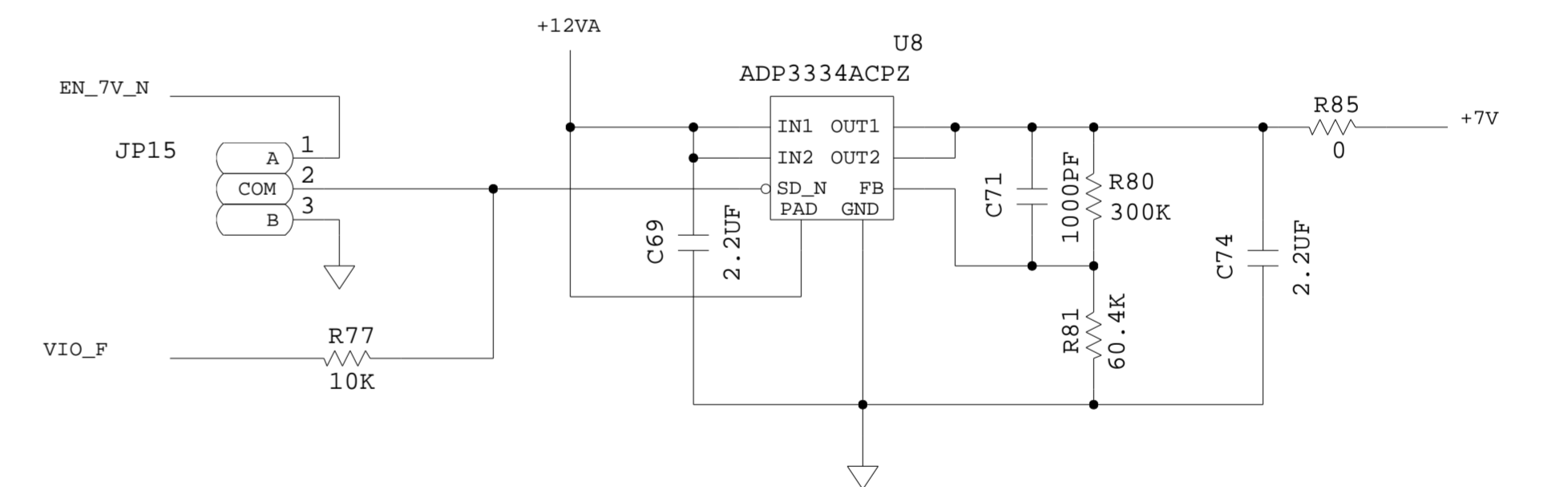
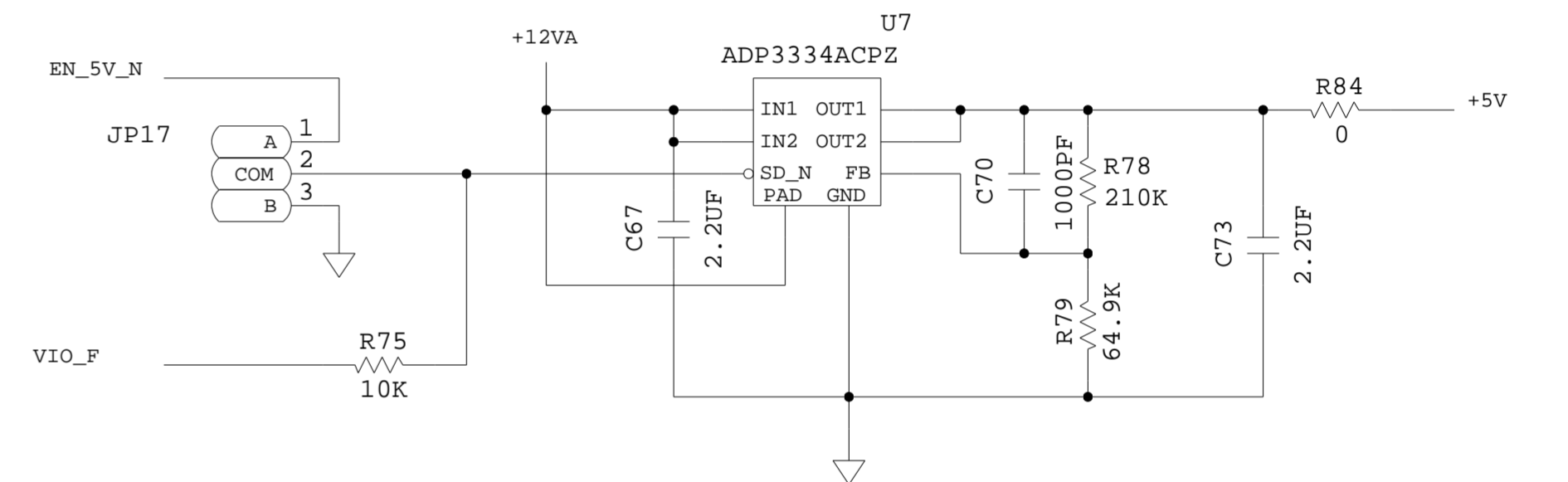


REGULATES FPGA VIO SUPPLIES TO 3.3V (MAX ALLOWED)



VIO_F	R70	R71
2.5V	105K	95.3K
3.3V	140K	78.7K

DEFAULT

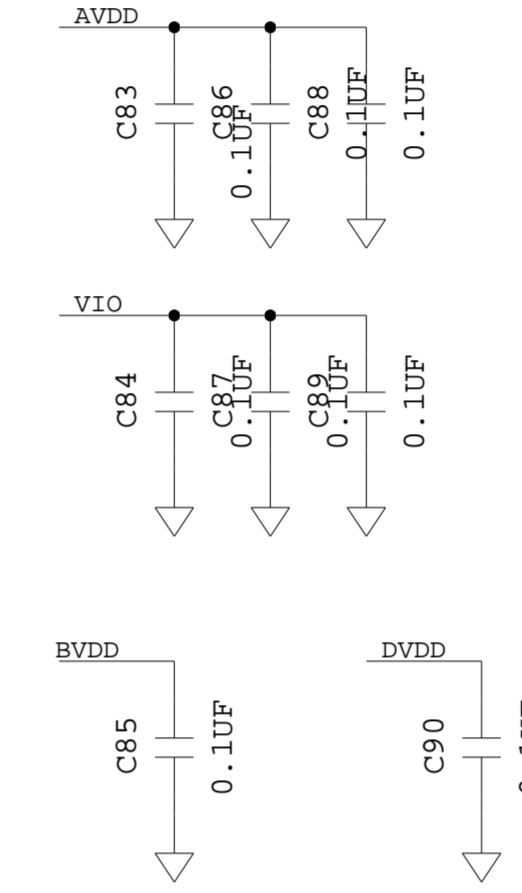
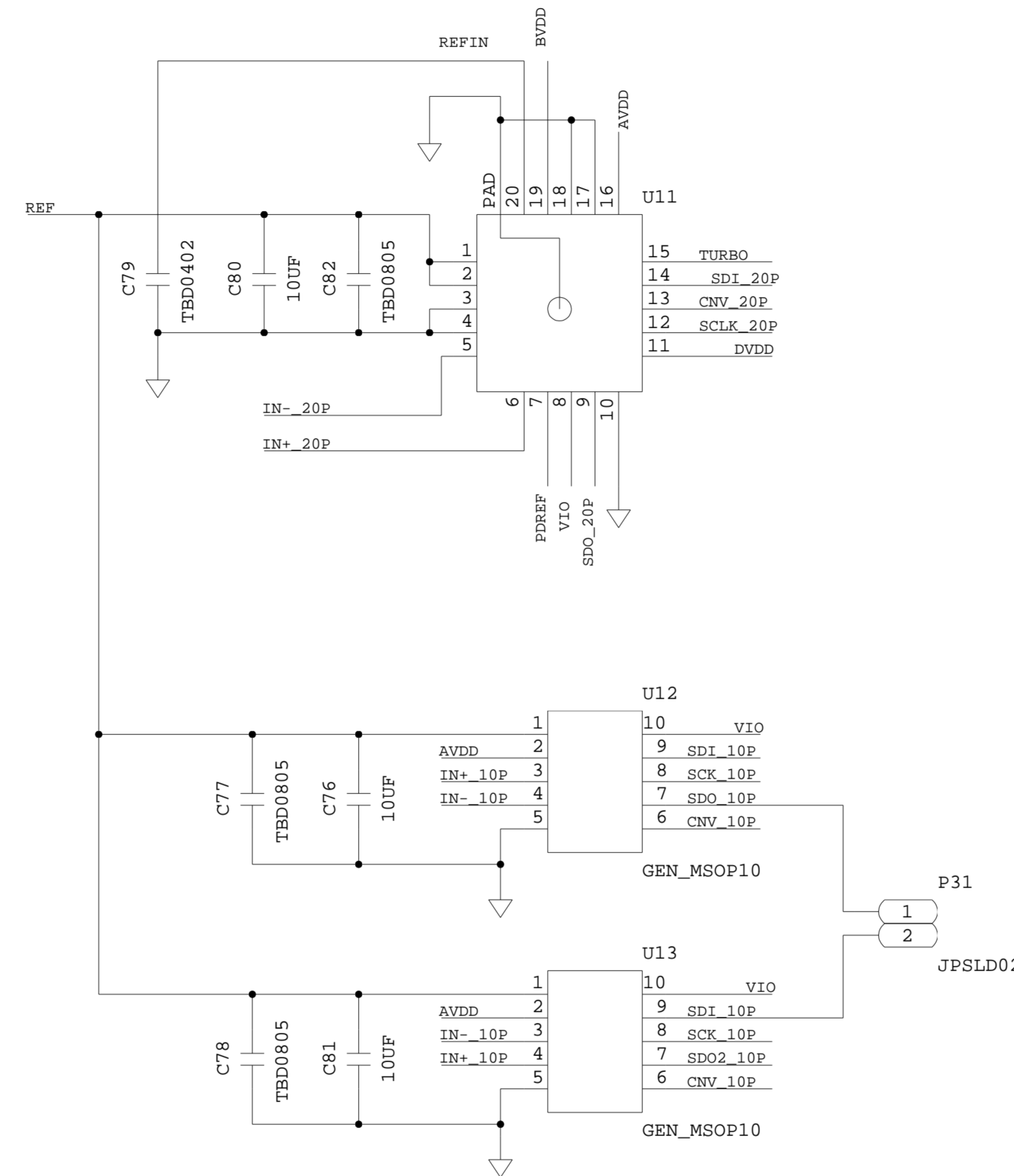
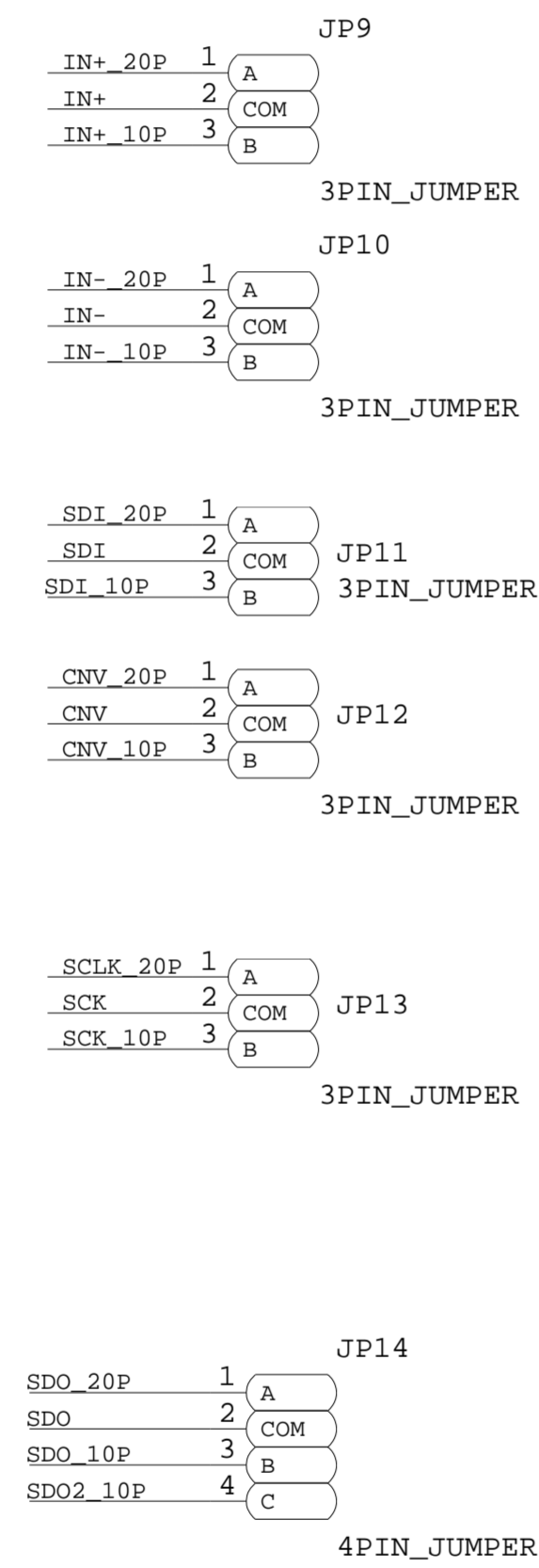


	SCHEMATIC		
	HW TYPE : AD7985/6 EVAL BD Z Product(s): AD7985, AD7986, AD7949		
DESIGN VIEW	POWER	DRAWING NO. 02-5010090	REV D
PTD ENGINEER C.Augusta	SIZE D	SCALE None	SHEET 7 OF 8

THIS DRAWING IS THE PROPERTY OF ANALOG DEVICES INC. IT IS TO BE USED IN CONNECTION WITH THE PRODUCTS OF ANALOG DEVICES. THE EQUIPMENT DESIGN HEREON MAY BE PROTECTED BY PATENTS OWNED OR CONTROLLED BY ANALOG DEVICES INC.

REVISIONS			
REV	DESCRIPTION	DATE	APPROVED

	INSTALL	DNI / REMOVE
AD7985	C80	C76
AD7986	C80	C76
AD7944	C80	C76
ALL IOL ADC'S	C76	C80



	SCHEMATIC			
	HW TYPE : AD7985/6 EVAL BD Z Product(s): AD7985, AD7986, AD7949			
<small>THIS DRAWING IS THE PROPERTY OF ANALOG DEVICES INC. IT IS NOT TO BE REPRODUCED OR COPIED, IN WHOLE OR IN PART, OR USED IN ANY MANNER WITHOUT THE WRITTEN PERMISSION OF ANALOG DEVICES. THE EQUIPMENT DESIGN HEREON MAY BE PROTECTED BY PATENTS OWNED OR CONTROLLED BY ANALOG DEVICES.</small>	DESIGN VIEW <DESIGN_VIEW>	DUT_OPTIONS	DRAWING NO. 02-5010090	REV D
PTD ENGINEER C. Augusta	SIZE D	SCALE None	SHEET 8 OF 8	