

THIS DRAWING IS THE PROPERTY OF ANALOG DEVICES INC. IT IS NOT TO BE REPRODUCED OR COPIED, IN WHOLE OR IN PART, OR USED IN FURNISHING INFORMATION TO OTHERS, OR FOR ANY OTHER PURPOSE DETRIMENTAL TO THE INTERESTS OF ANALOG DEVICES. THE EQUIPMENT SHOWN HEREON MAY BE PROTECTED BY PATENTS OWNED OR CONTROLLED BY ANALOG DEVICES.

JUMPER TABLE		
JP#	ON	OFF
1		
2		
3		
4		
5		

REVISIONS			
REV	DESCRIPTION	DATE	APPROVED
A	INITIAL RELEASE	20APR17	R.WILSON

RELAY CONTROL CHART

CONTROL	CODE	DEVICE	FUNCTION	CONNECTOR

AD9213 POWER DAUGHTERBOARD

P.O SPEC.	BK/BD SPEC.	SOCKET OEM	OEM PART#	HANDLER

TEMPLATE ENGINEER	DATE	SCHEMATIC		ANALOG DEVICES
HARDWARE SERVICES				
HARDWARE SYSTEMS		HW TYPE : Characterisation Product(s): AD9213 PWR BD.		
TEST ENGINEER		: N/A		
COMPONENT ENGINEER		PACKAGE : N/A-lead N/A N/A-family : Pitch-pitch StyleVendor Style		
TEST PROCESS		<User Define>		
HARDWARE RELEASE		<User Define>		
DESIGNER		MASTER PROJECT TEMPLATE TBD	TESTER TEMPLATE no_template	DRAWING NO. 02_042587
PTD ENGINEER <PTD_ENGINEER>		UNLESS OTHERWISE SPECIFIED DIMENSIONS ARE IN INCHES		
CHECKER		TOLERANCES DECIMALS : X.XX +0.010 X.XXX +0.005 FRACTIONS : +1/32 ANGLES : +2		
		SIZE D	SCALE 1:1	CODE ID NO. CodeID
		SHEET 1	OF 6	REV. A

8

7

6

5

4

3

2

1

8

7

6

5

4

3

2

1

D

C

B

A

D

C

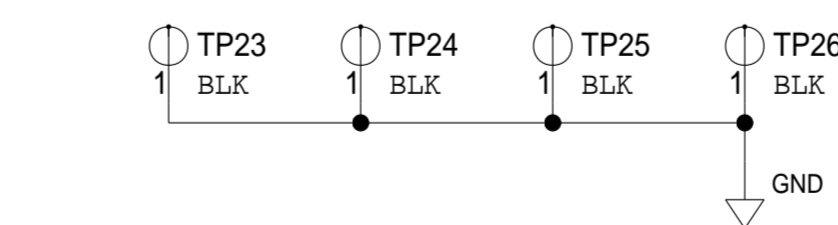
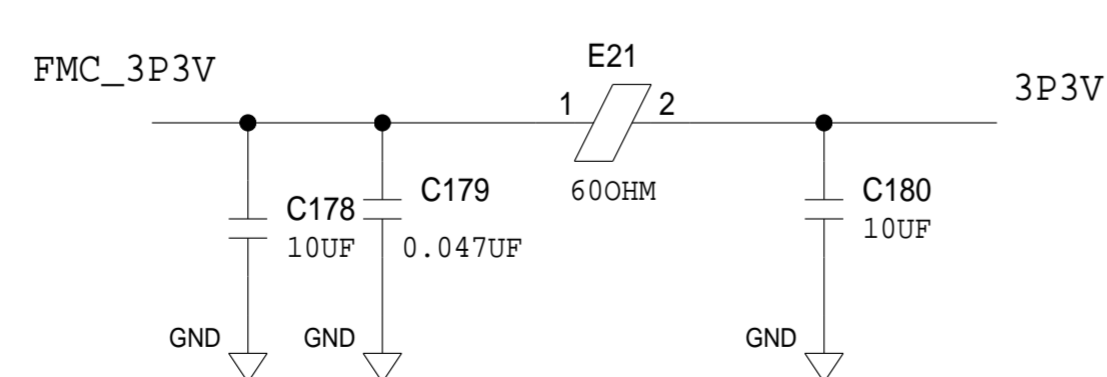
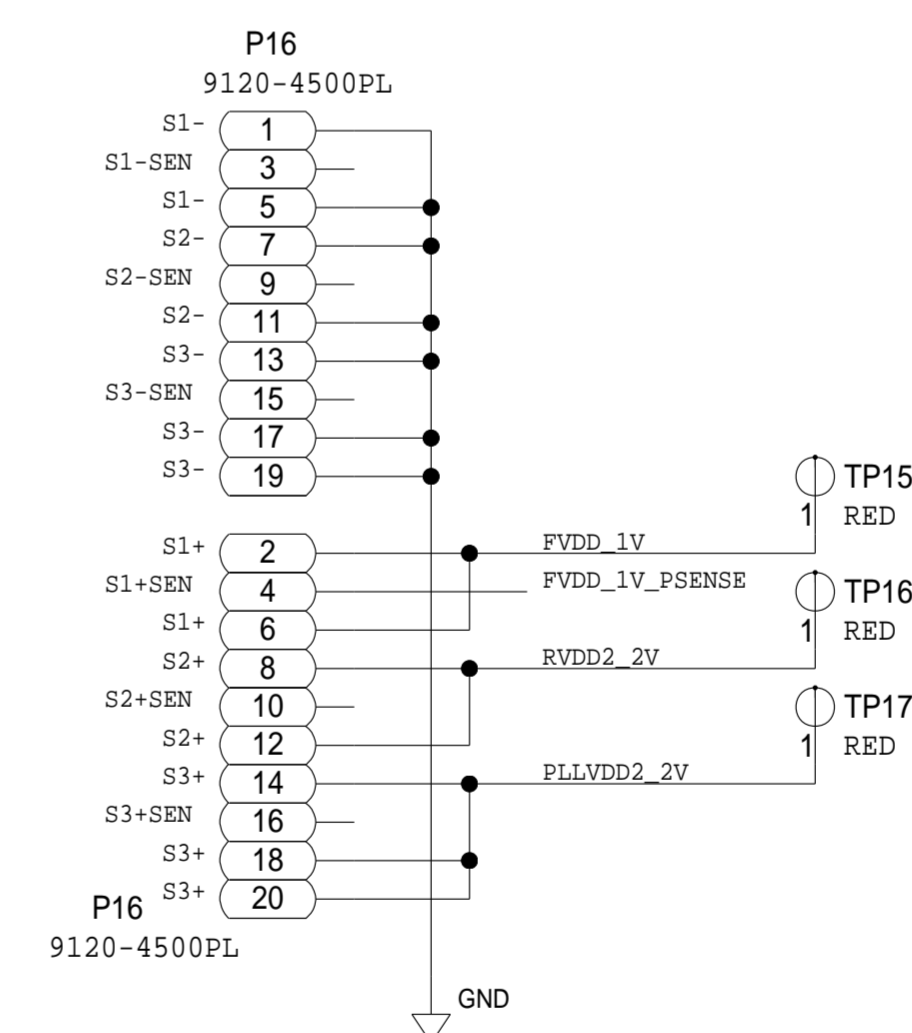
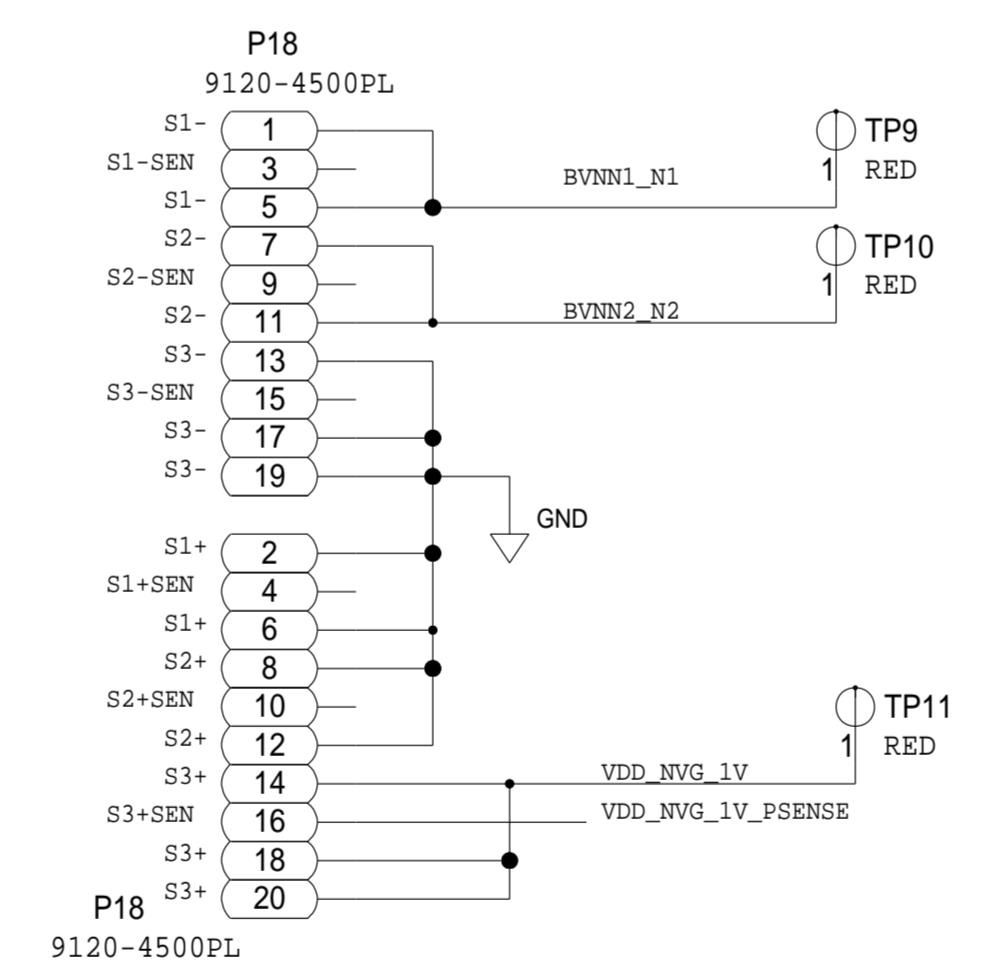
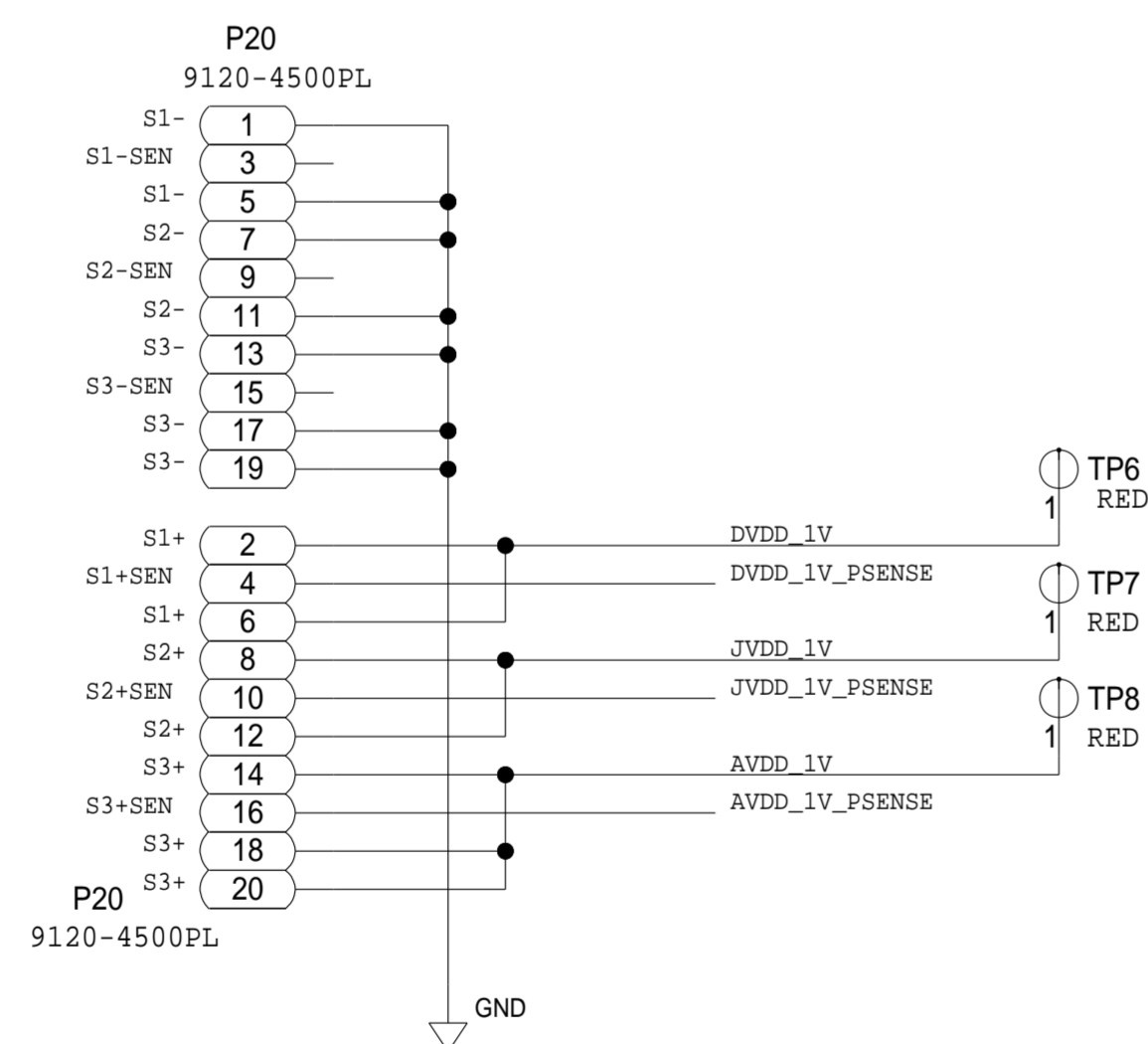
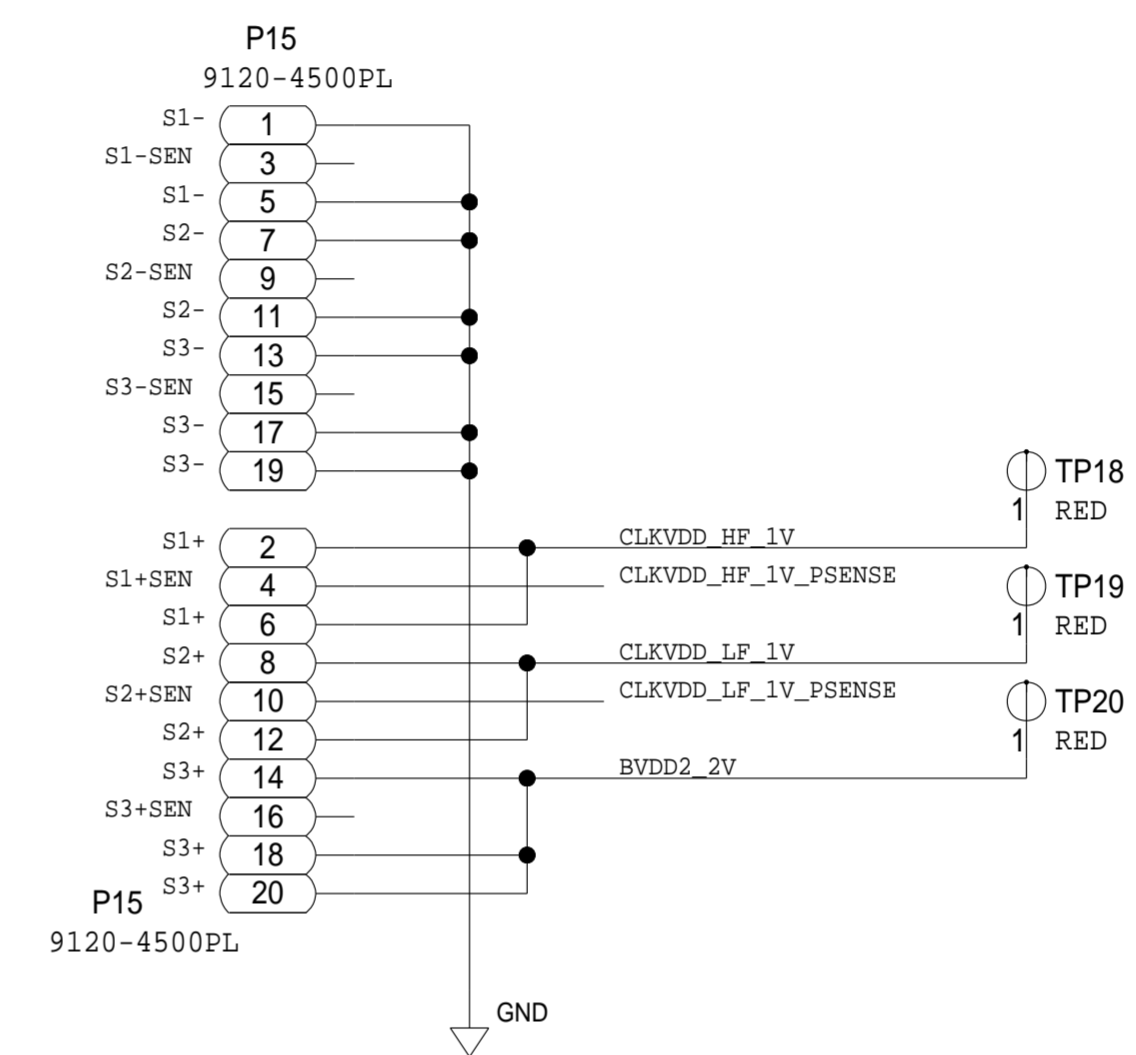
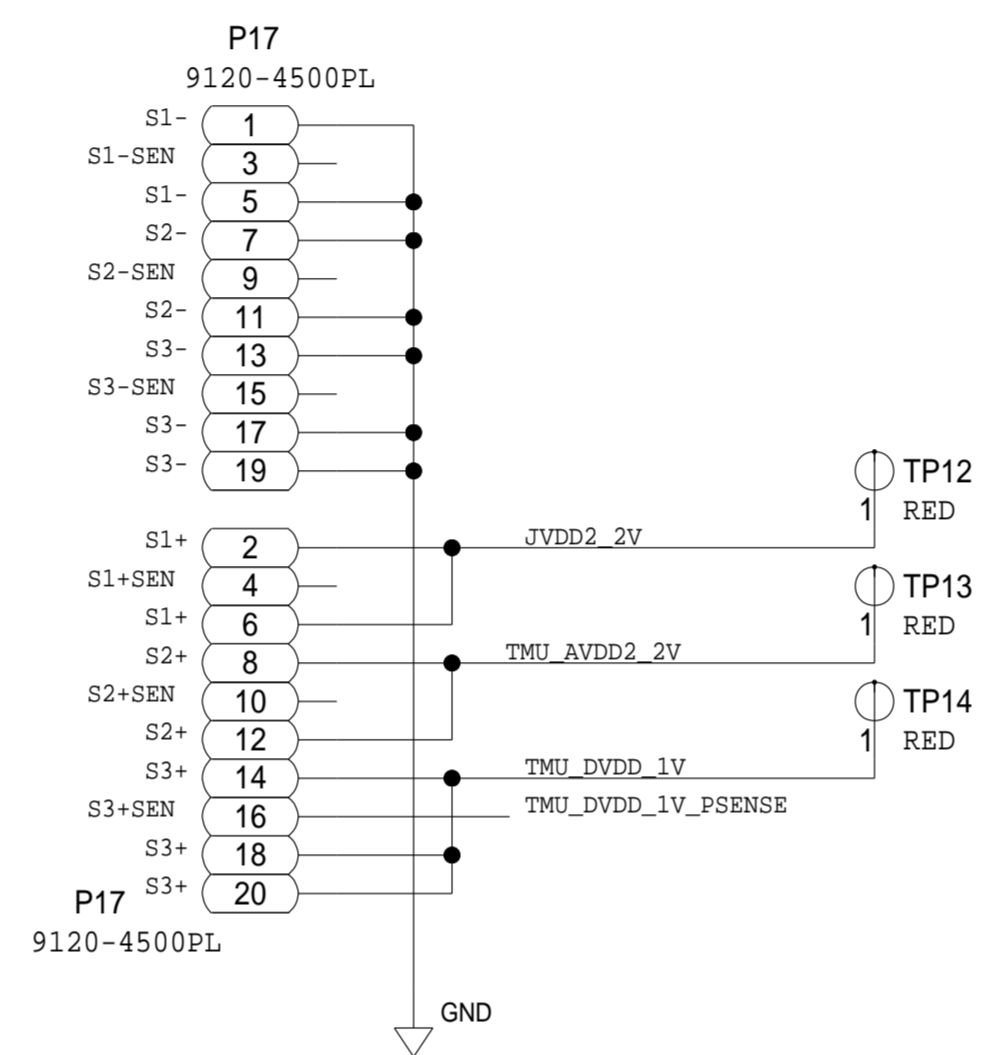
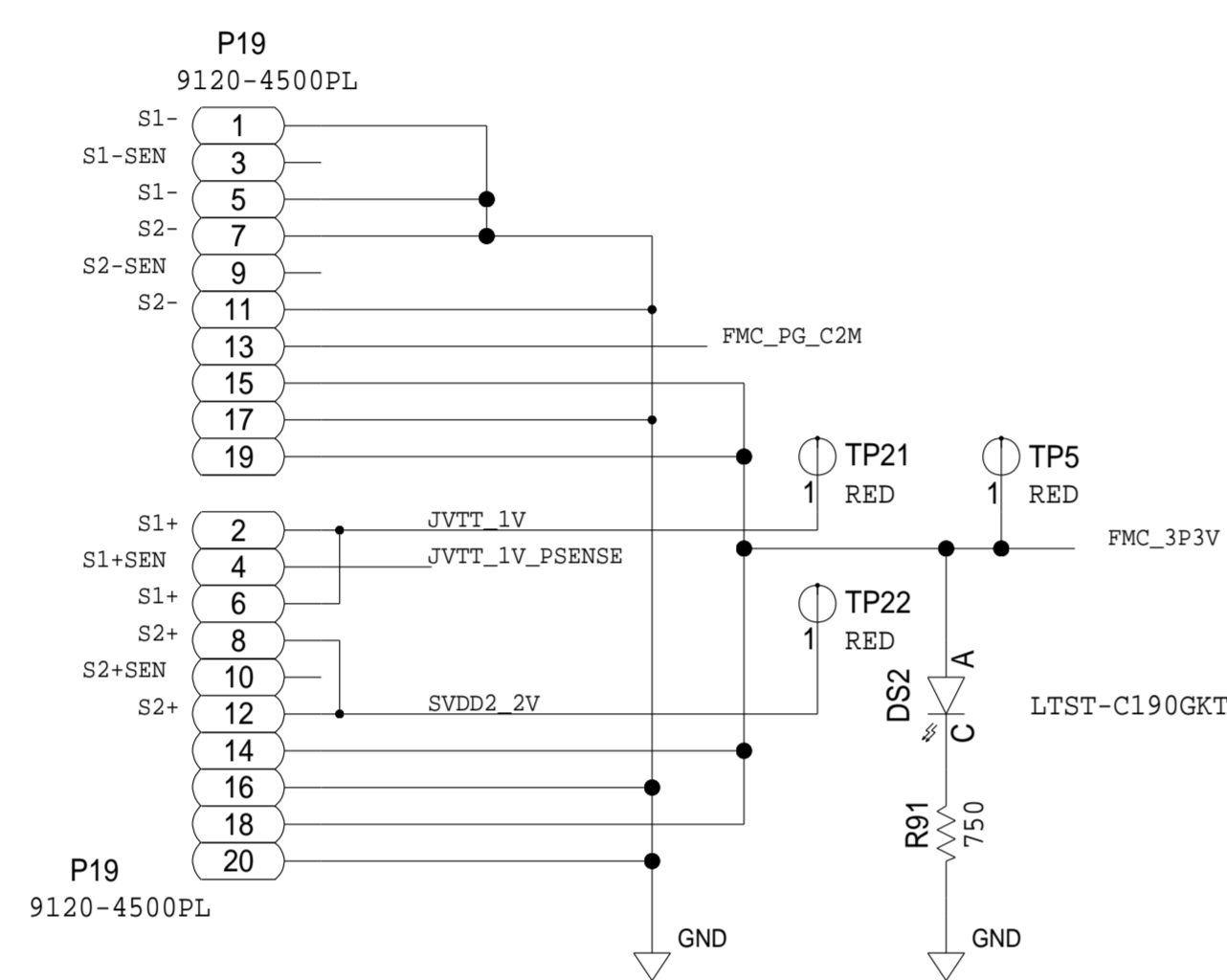
B

A

POWER SUPPLY CONNECTORS

THESE MATCH THE EVAL BD CONNECTORS
AND ARE INSTALLED ON THE BOTTOMSIDE

REVISIONS			
REV	DESCRIPTION	DATE	APPROVED

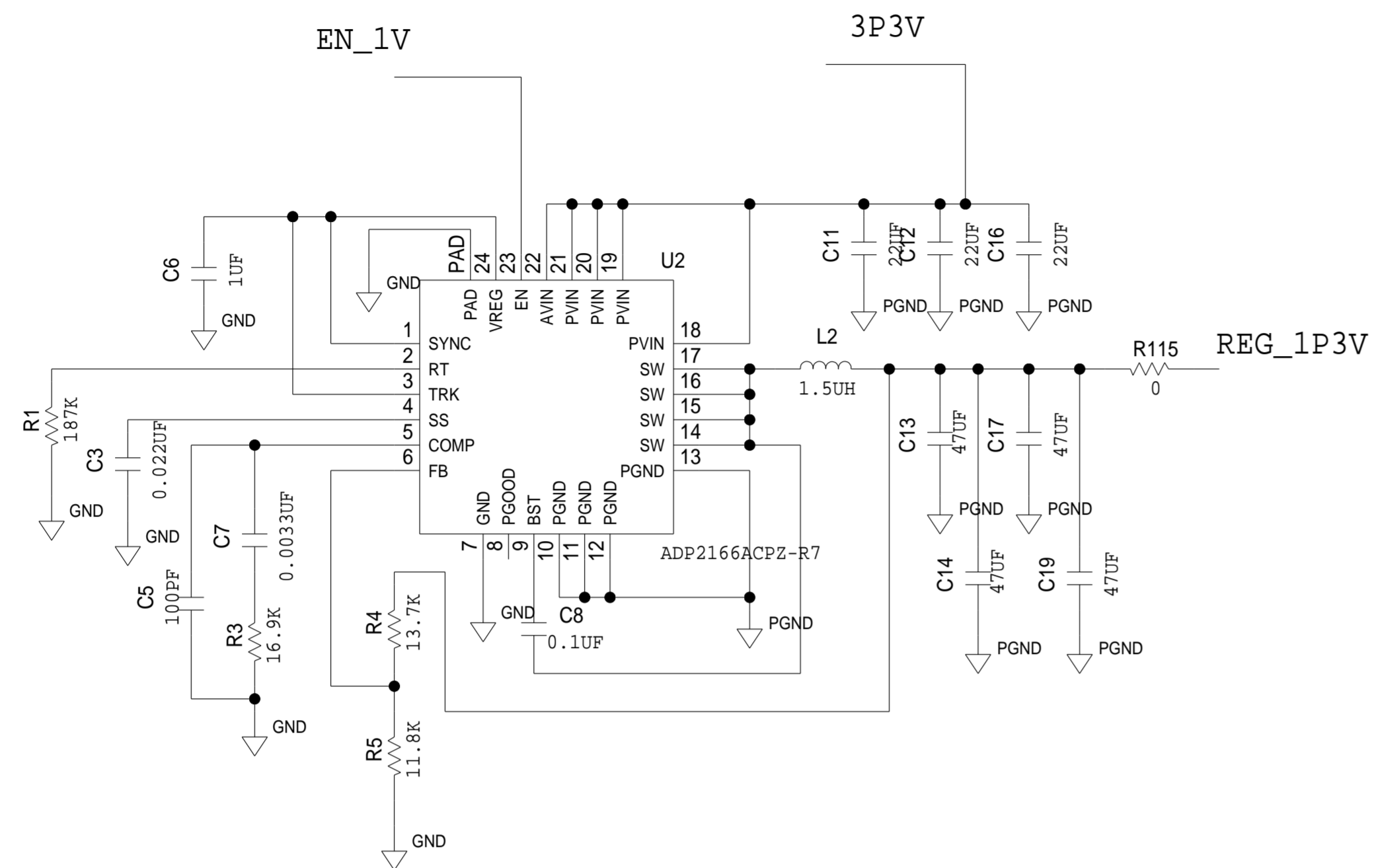


NOTE: GND_SENSE LINES NOT USED

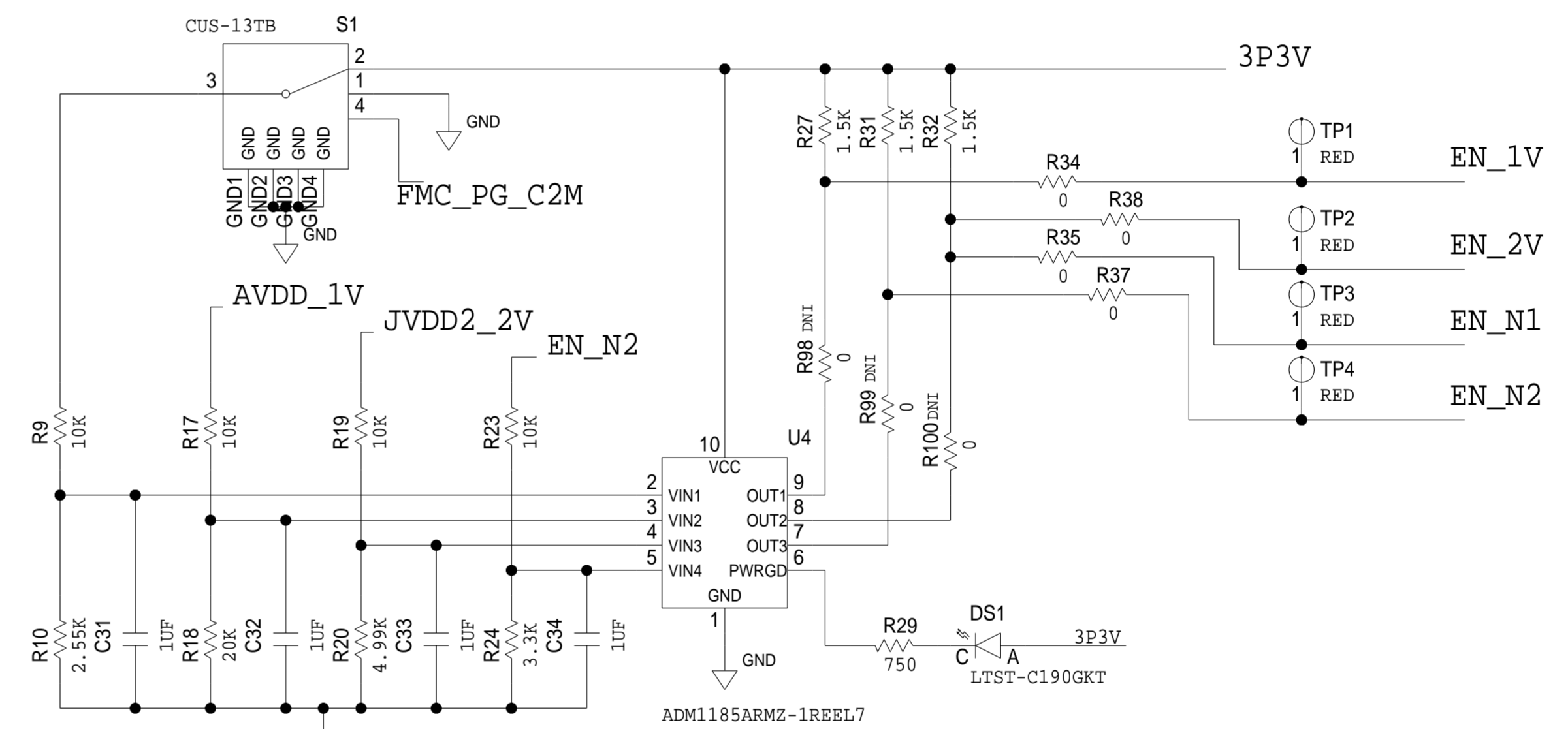
ANALOG DEVICES		SCHEMATIC	
HW TYPE : Characterisation Product(s): AD9213 PWR BD. : N/A		DESIGN VIEW <DESIGN_VIEW>	
PTD ENGINEER <PTD_ENGINEER>		DRAWING NO. 02_042587	REV A
SIZE D	SCALE 1:1	SHEET 2 OF 6	

REVISIONS			
REV	DESCRIPTION	DATE	APPROVED

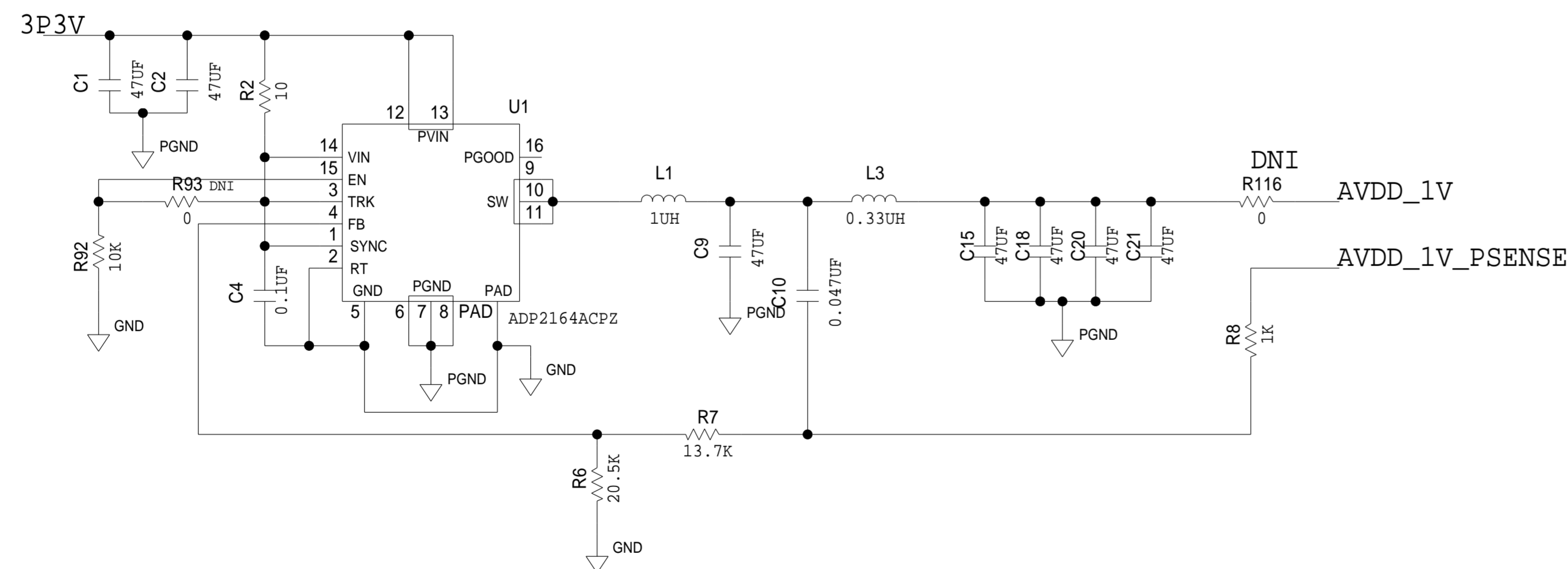
PRIMARY 1V SWITCHER - ADP2166



OPTIONAL POWER-UP SEQUENCER
PG_C2M-->+1V--->-1V,+2V--->-2V
DEFAULT IS ALL SIMULTANEOUS



OPTIONAL AVDD - ADP2164



PGND IS A SEPARATE PLANE
FOR THE SWITCHING REGULATORS.
IT IS JOINED TO GND AT THE E-PAD.

ANALOG DEVICES		SCHEMATIC			
<small>THIS DRAWING IS THE PROPERTY OF ANALOG DEVICES INC. IT IS NOT TO BE REPRODUCED OR COPIED, IN WHOLE OR IN PART, OR USED IN ANY MANNER THAT MAY BE DETRIMENTAL TO THE INTERESTS OF ANALOG DEVICES. THE EQUIPMENT SHOWN HEREIN MAY BE PROTECTED BY PATENTS OWNED OR CONTROLLED BY ANALOG DEVICES.</small>		HW TYPE : Characterisation Product(s) : AD9213 PWR BD. : N/A		DRAWING NO. 02_042587	
DESIGN VIEW <DESIGN_VIEW>		PTD ENGINEER <PTD_ENGINEER>		REV A	SCALE 1:1
SIZE D		SHEET 3 OF 6		REV A	

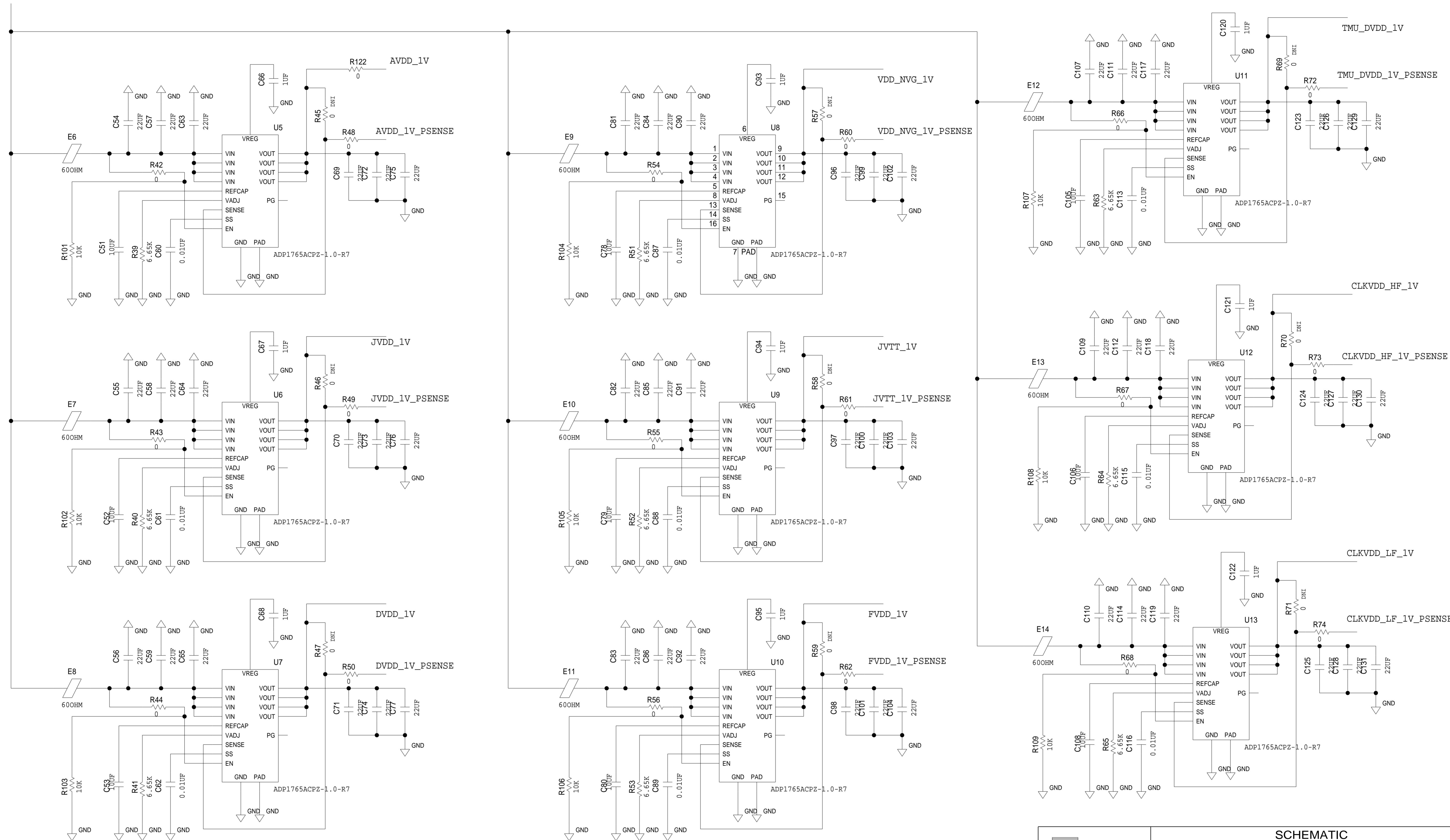
REG_1P3V

+1V LDOS

REVISIONS			
REV	DESCRIPTION	DATE	APPROVED

D
C
B
A

D
C
B
A

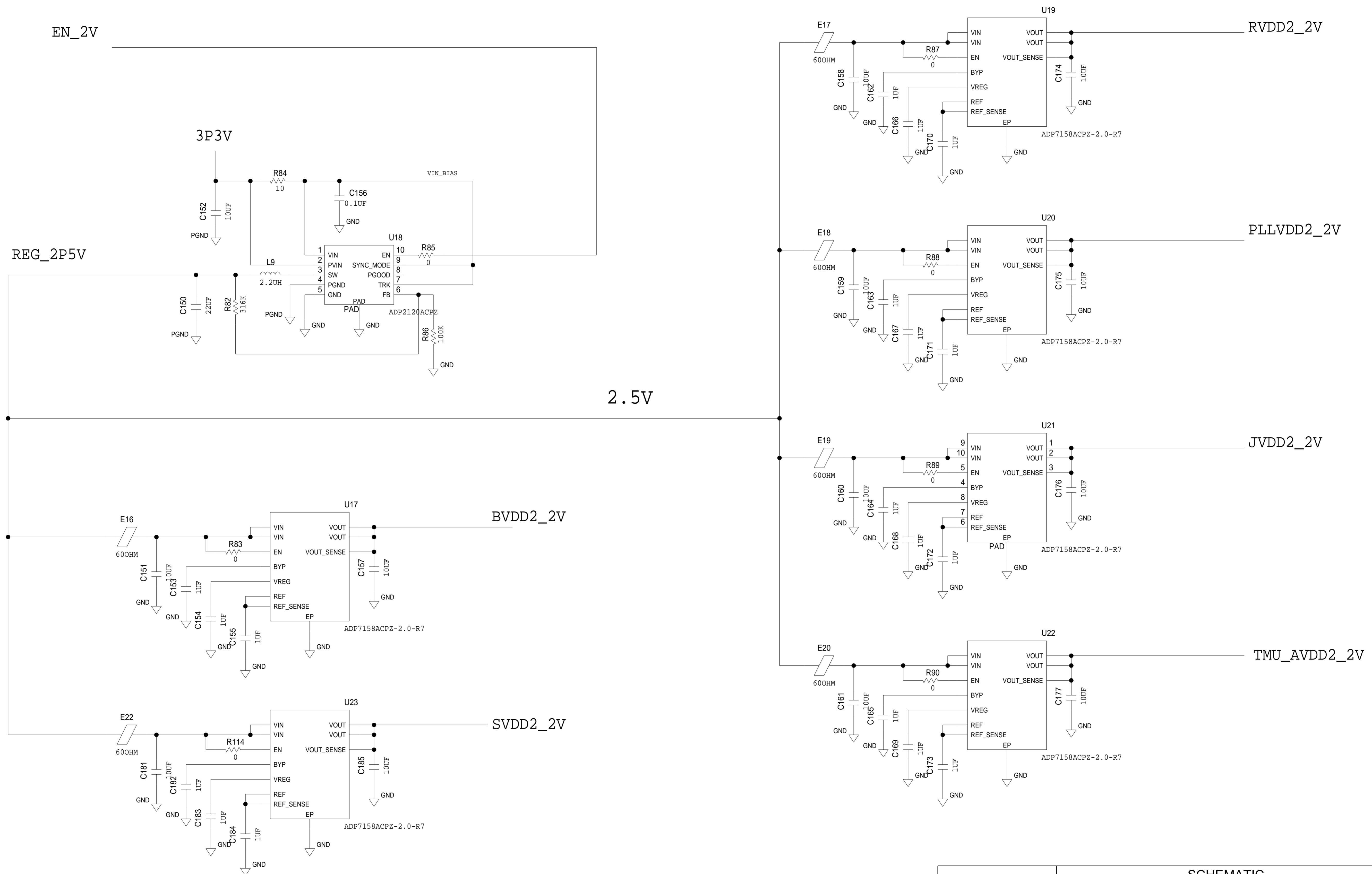


	SCHEMATIC		
	HW TYPE : Characterisation Product(s) : AD9213 PWR BD. : N/A		
DESIGN VIEW <DESIGN_VIEW>	DRAWING NO. 02_042587	REV A	
PTD ENGINEER <PTD_ENGINEER>	SIZE D	SCALE 1:1	SHEET 4 OF 6

8 7 6 5 4 3 2 1

REVISIONS			
REV	DESCRIPTION	DATE	APPROVED

+2V SUPPLIES

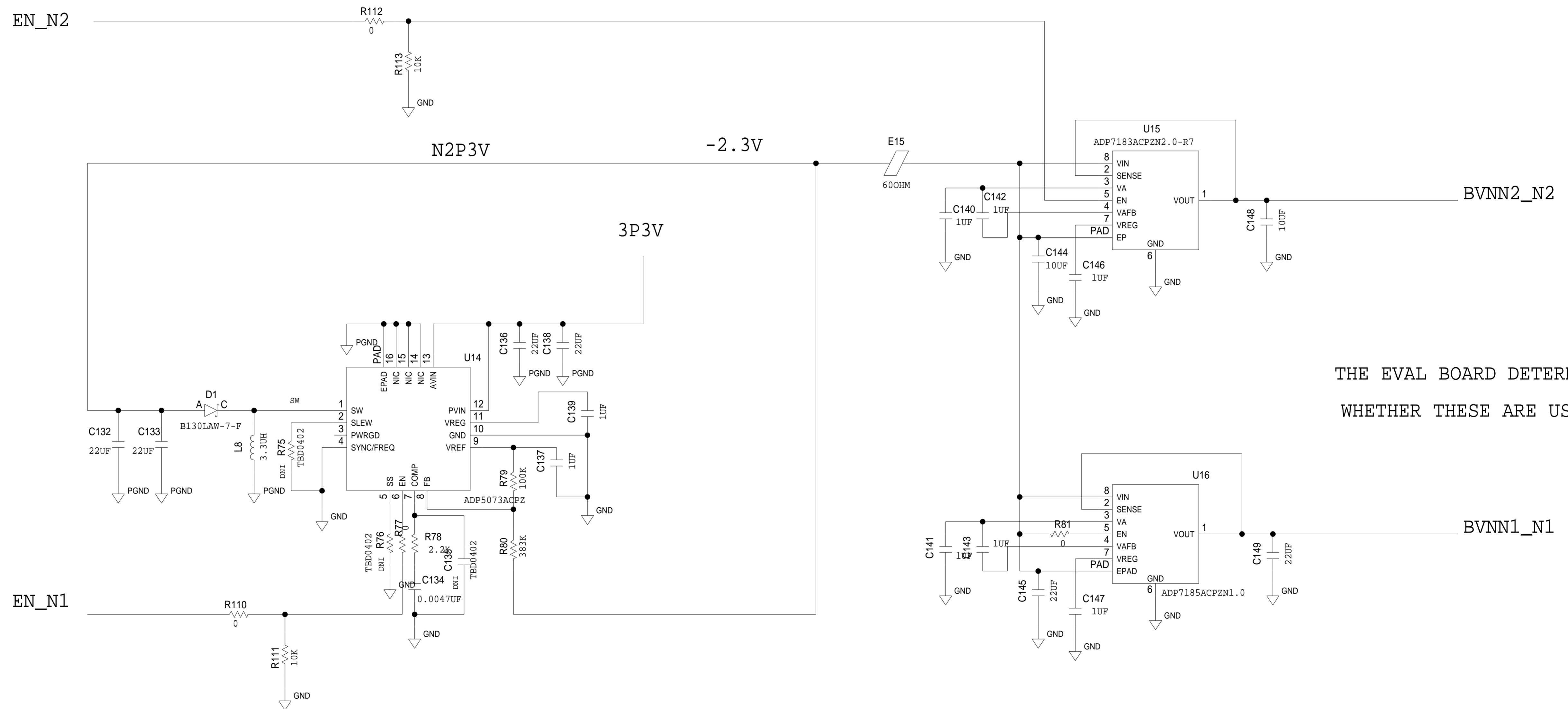


PGND IS A SEPARATE PLANE FOR THE SWITCHING REGULATORS. IT IS JOINED TO GND AT THE E-PAD.

ANALOG DEVICES				SCHEMATIC			
<small>THIS DRAWING IS THE PROPERTY OF ANALOG DEVICES INC. IT IS NOT TO BE REPRODUCED OR COPIED, IN WHOLE OR IN PART, OR USED IN ANY MANNER THAT WOULD BE DETRIMENTAL TO THE INTERESTS OF ANALOG DEVICES. THE EQUIPMENT SHOWN HEREIN MAY BE PROTECTED BY PATENTS OWNED OR CONTROLLED BY ANALOG DEVICES.</small>				HW TYPE : Characterisation Product(s) : AD9213 PWR BD. : N/A			
				DESIGN VIEW <DESIGN_VIEW>		DRAWING NO. 02_042587	
PTD ENGINEER <PTD_ENGINEER>		SIZE D		SCALE 1:1		SHEET 5 OF 6	

REVISIONS			
REV	DESCRIPTION	DATE	APPROVED

OPTIONAL -1V, -2V SUPPLIES



THE EVAL BOARD DETERMINES
WHETHER THESE ARE USED

PGND IS A SEPARATE PLANE
FOR THE SWITCHING REGULATORS.
IT IS JOINED TO GND AT THE E-PAD.

	SCHEMATIC		
	HW TYPE : Characterisation Product(s): AD9213 PWR BD. : N/A		
	DESIGN VIEW <DESIGN_VIEW>	DRAWING NO. 02_042587	REV A
	PTD ENGINEER <PTD_ENGINEER>	SIZE D	SCALE 1:1
		SHEET 6 OF 6	