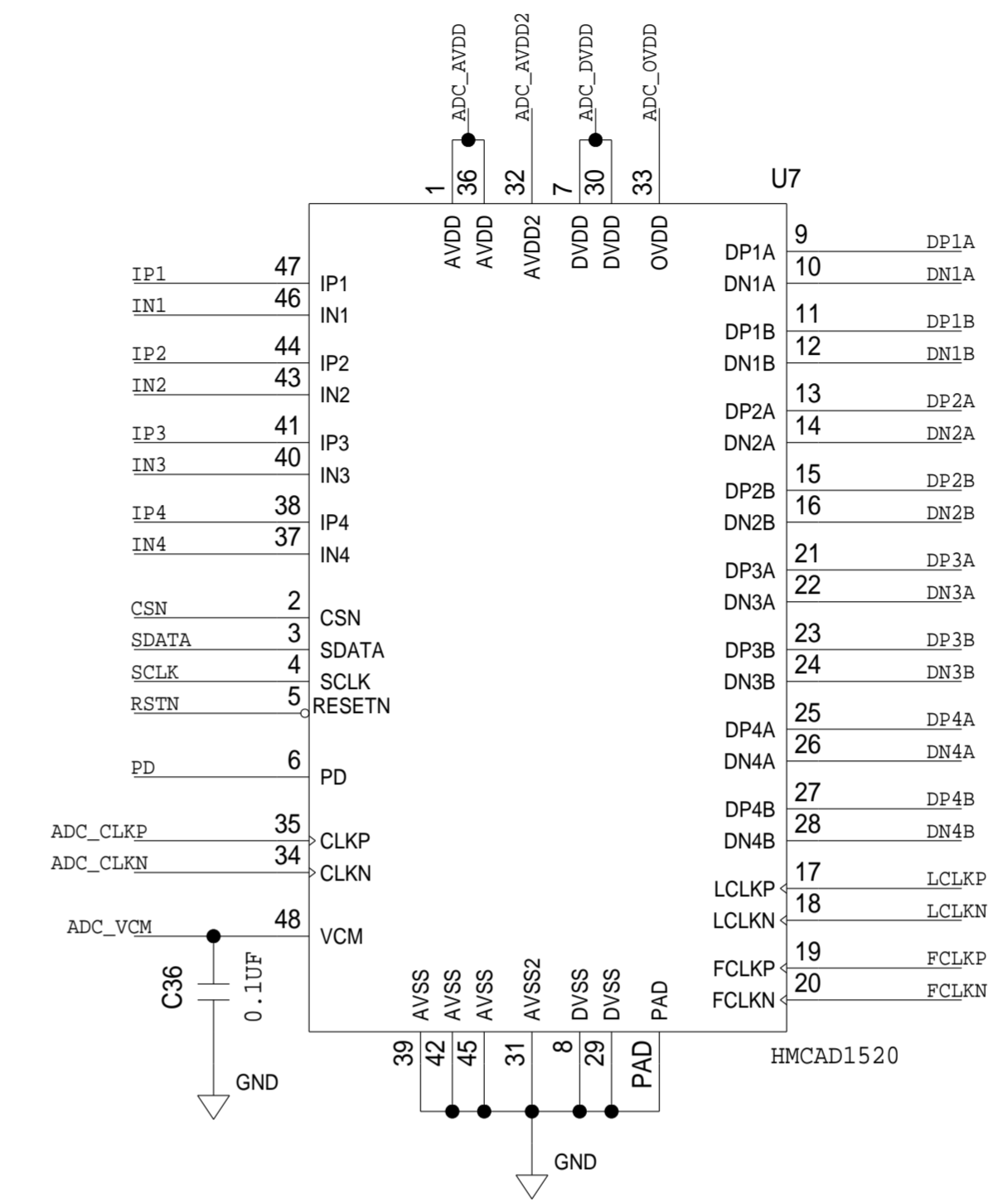
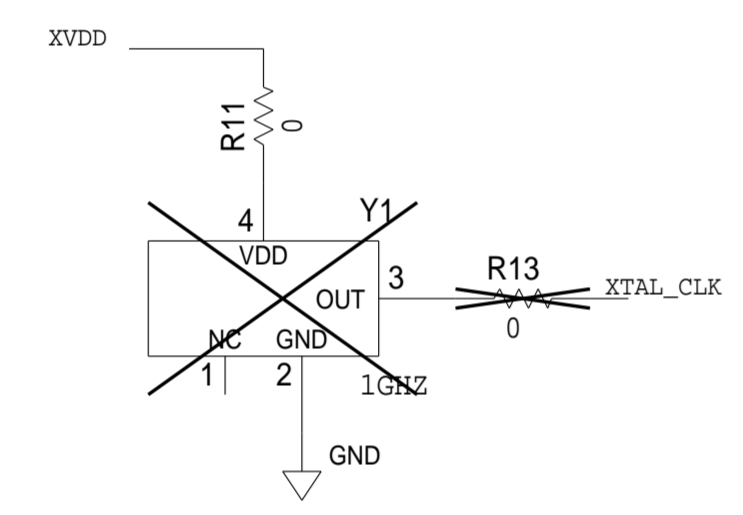
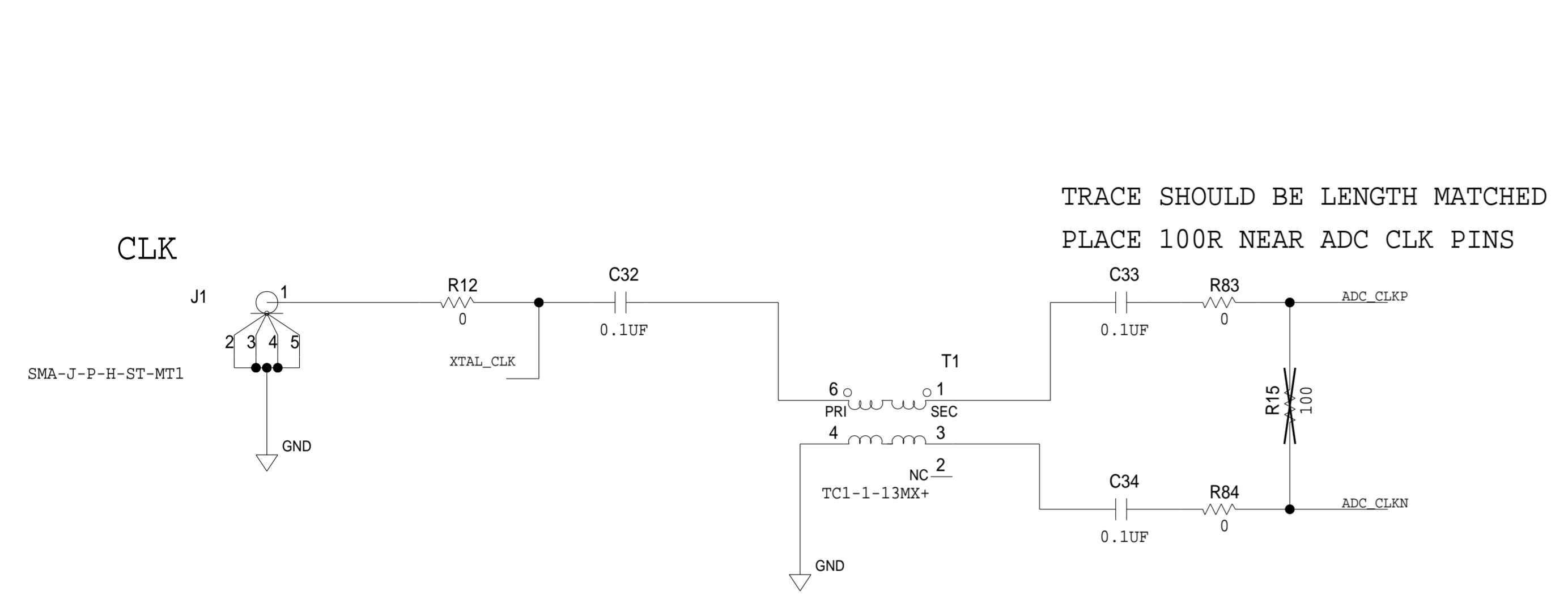
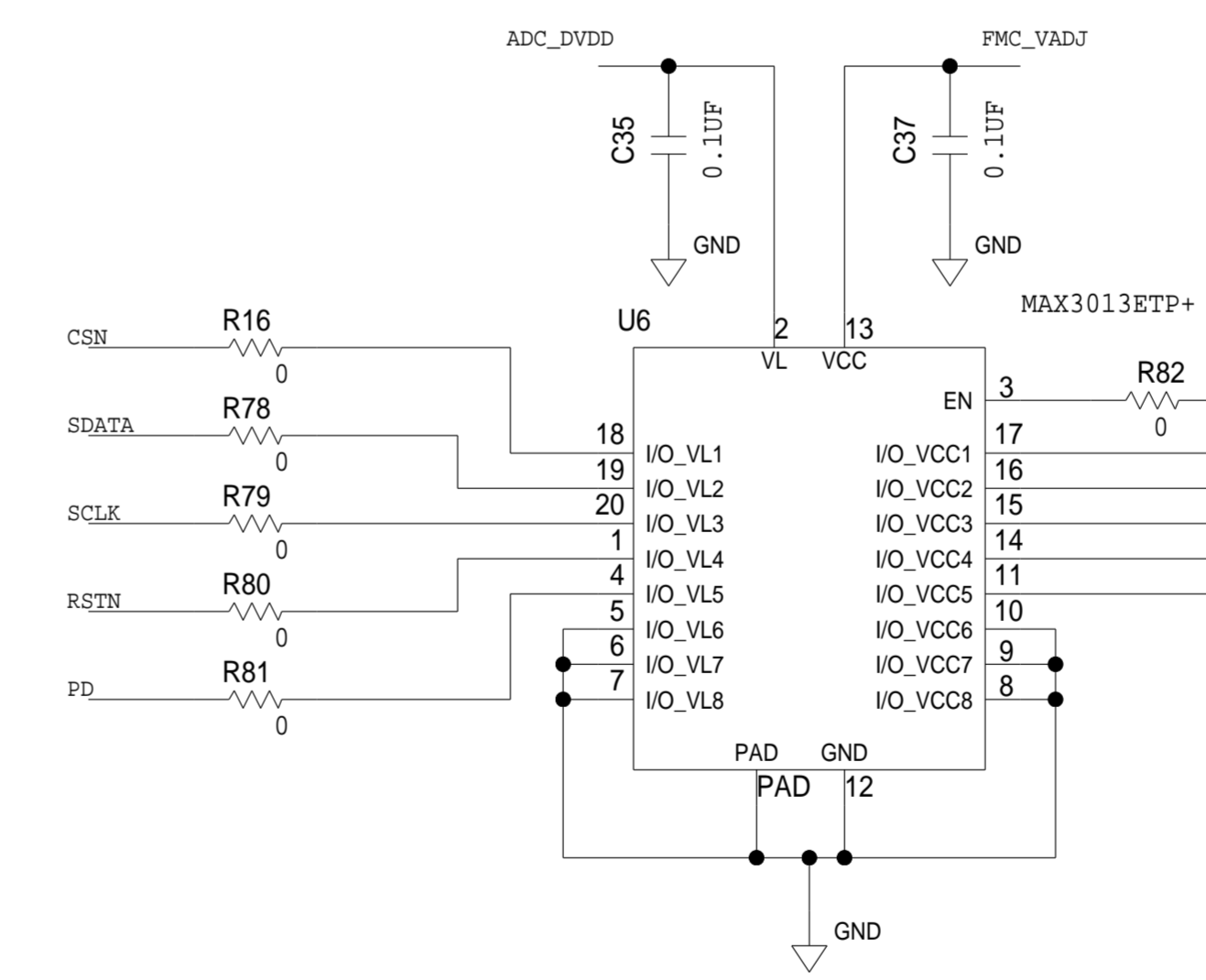


REVISIONS			
REV	DESCRIPTION	DATE	APPROVED

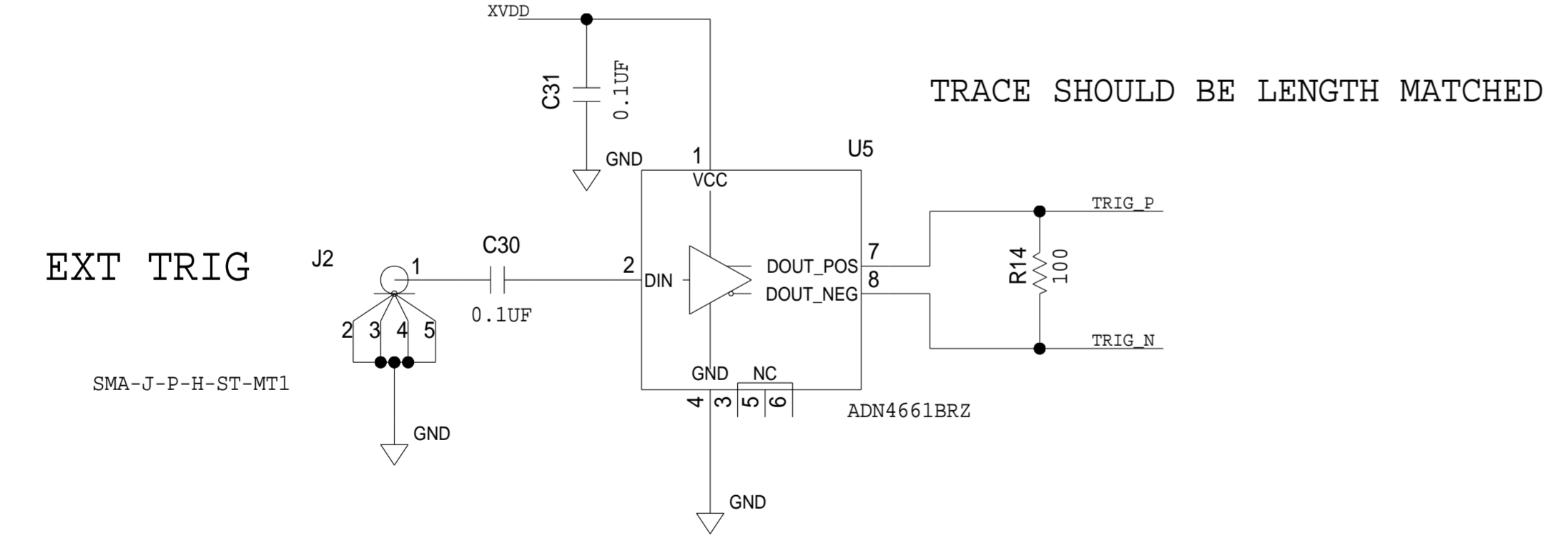
ADC AND CLOCK



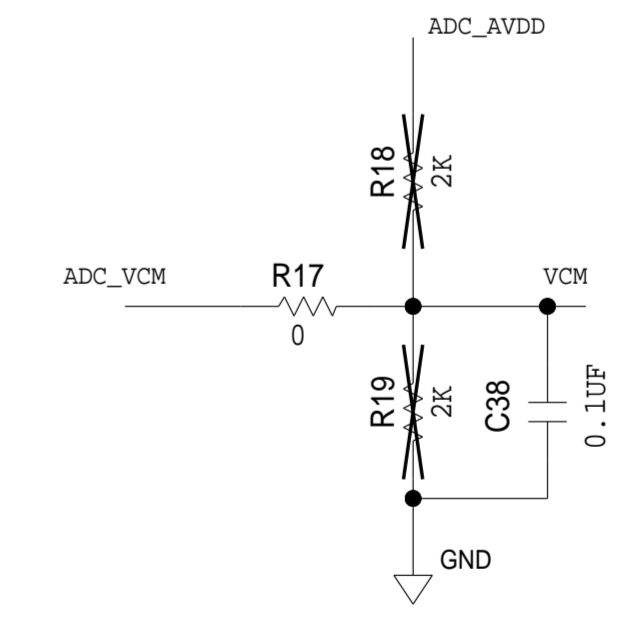
SPI SIGNAL



EXTERNAL TRIGGER



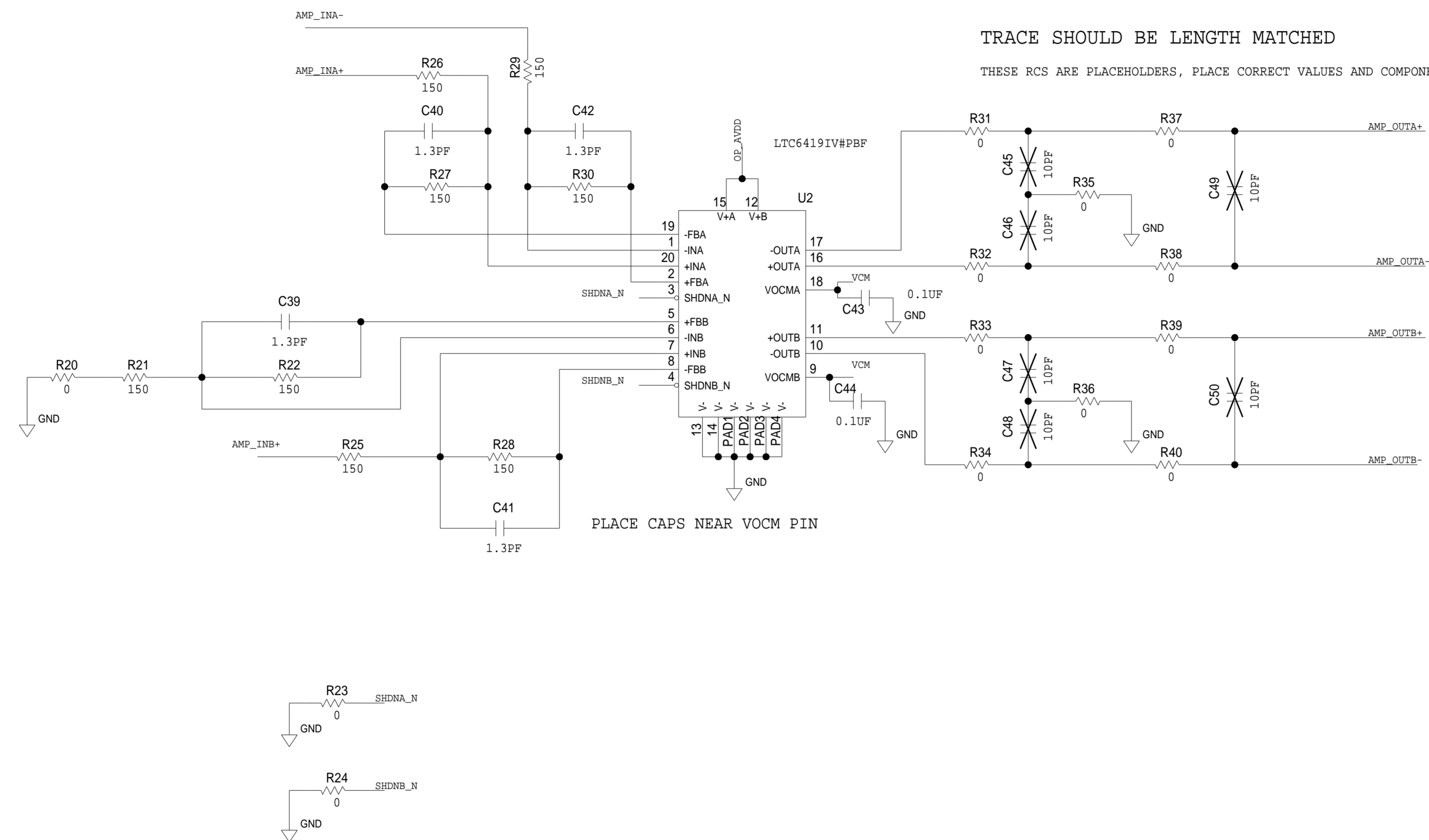
VCM



ANALOG DEVICES				SCHEMATIC			
<small>THIS DRAWING IS THE PROPERTY OF ANALOG DEVICES INC. IT IS NOT TO BE REPRODUCED OR COPIED, IN WHOLE OR IN PART, OR USED IN ANY MANNER THAT MAY BE DETRIMENTAL TO THE INTERESTS OF ANALOG DEVICES. THE EQUIPMENT SHOWN HEREIN MAY BE PROTECTED BY PATENTS OWNED OR CONTROLLED BY ANALOG DEVICES.</small>				HW TYPE : Customer Evaluation Z Product(s) : HMCAD1520 : n/a			
				DESIGN VIEW <DESIGN_VIEW>		DRAWING NO. 02_067426	
PTD ENGINEER M. RECIO		SIZE D	SCALE 1:1	SHEET 2 OF 6		REV D	

CHA & CHB ANALOG INPUTS - ACTIVE

REVISIONS			
REV	DESCRIPTION	DATE	APPROVED

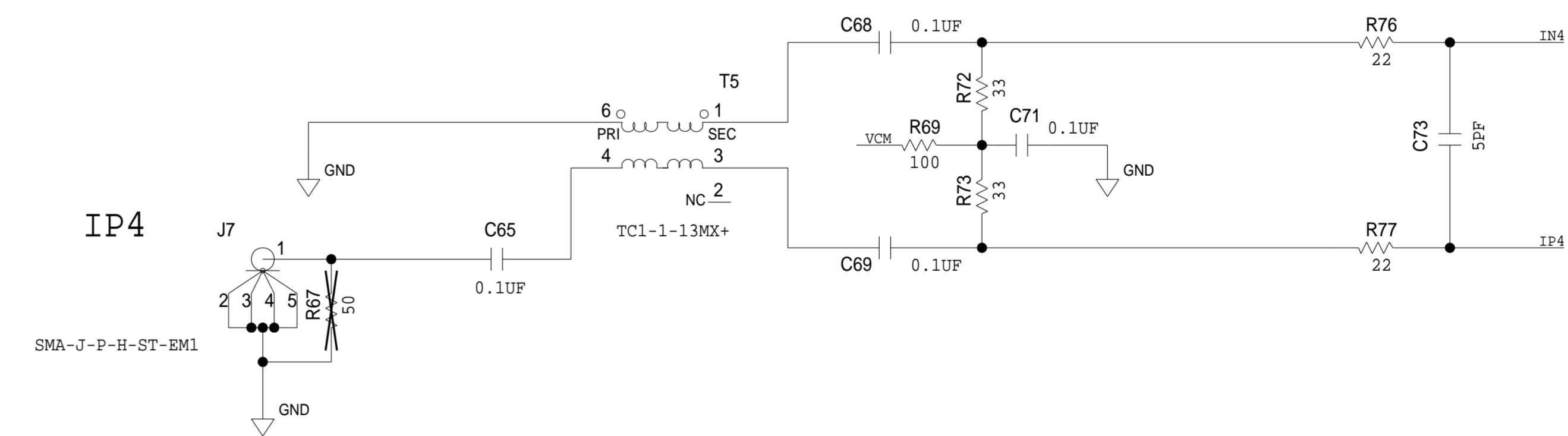
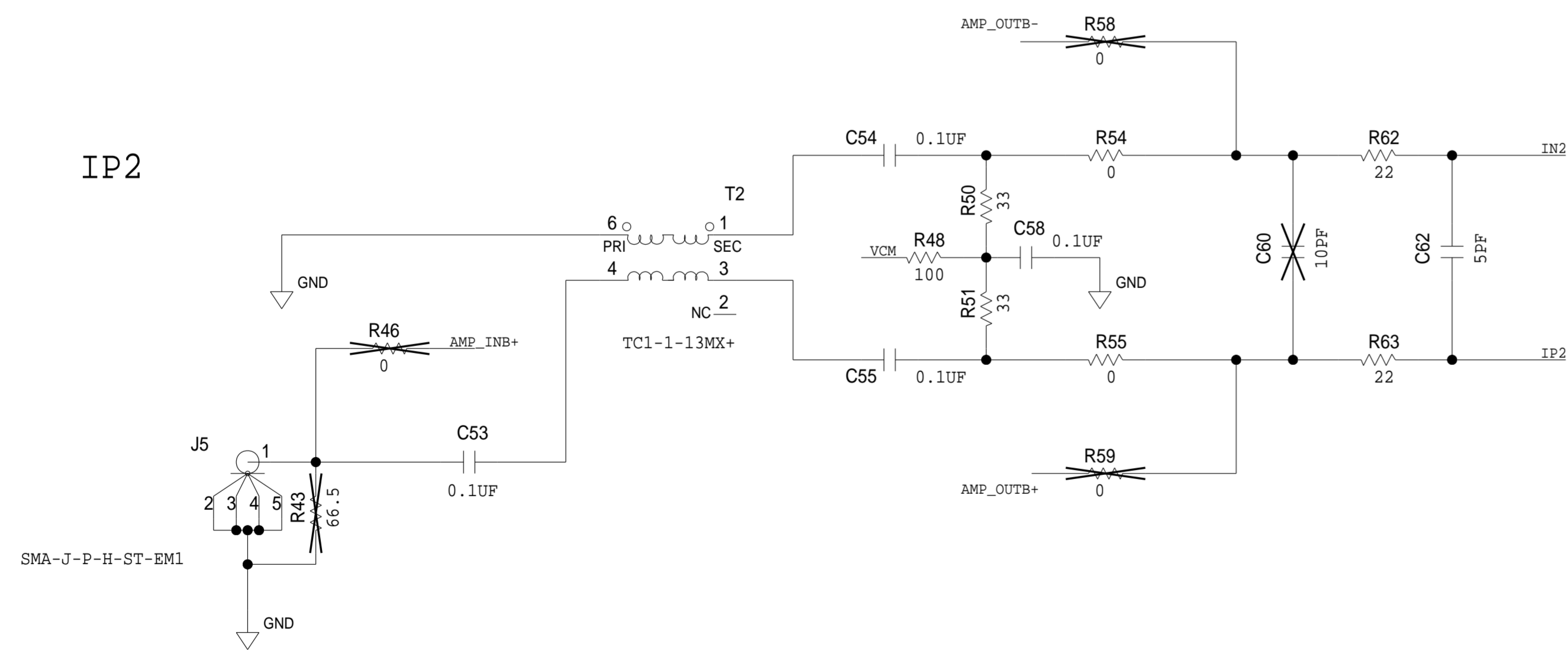
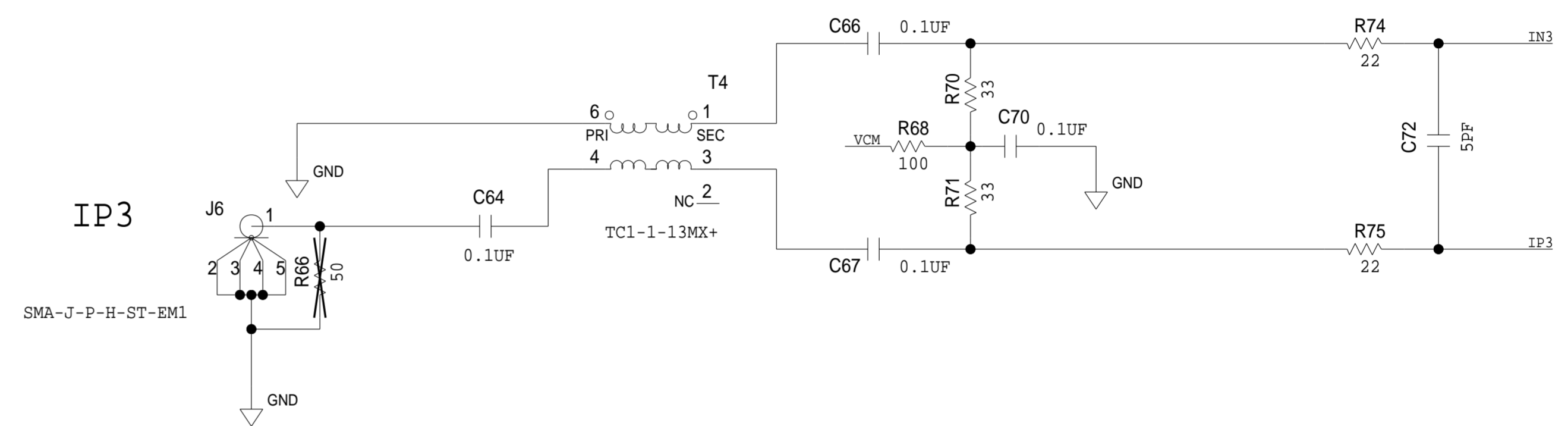
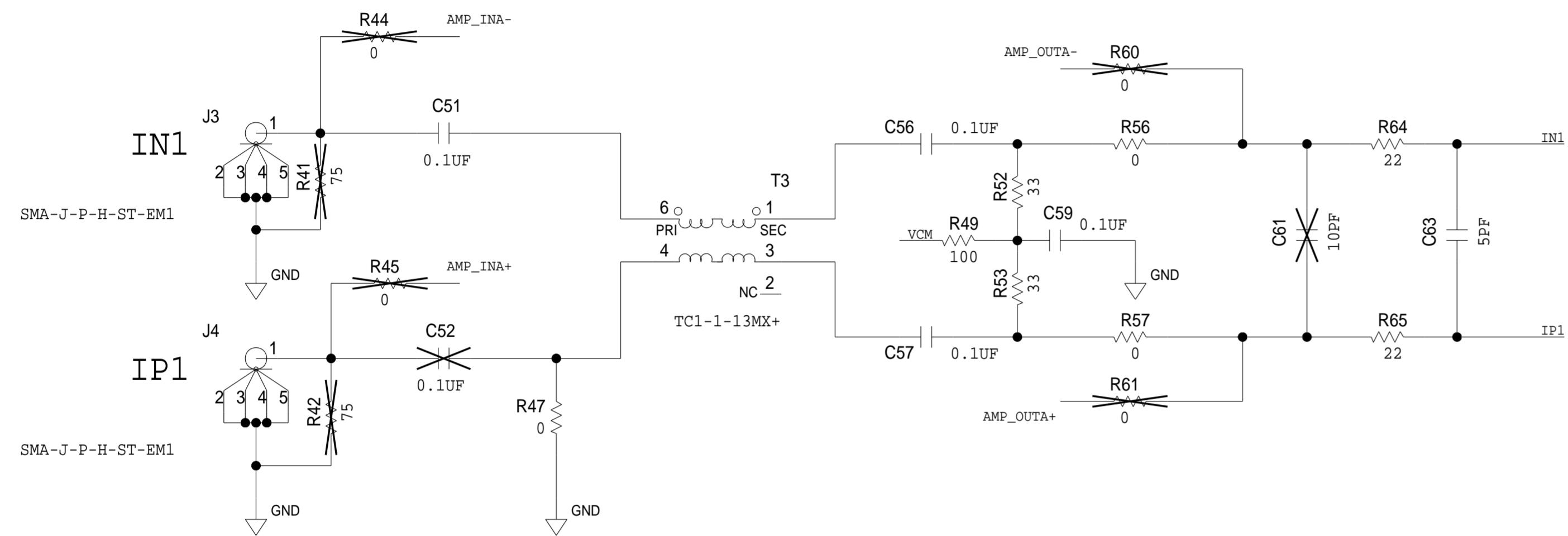


	SCHEMATIC		
	HW TYPE : Customer Evaluation Z Product(s) : HMCAD1520 : n/a		
	DESIGN VIEW <DESIGN_VIEW>	DRAWING NO. 02_067426	REV D
	PTD ENGINEER M. RECIO	SIZE D	SCALE 1:1
		SHEET 3 OF 6	

REVISIONS			
REV	DESCRIPTION	DATE	APPROVED

ANALOG INPUTS - PASSIVE

PLACE 22R AND 5PF NEAR ADC INPUT PINS
ALL INPUT TRACES SHOULD BE LENGTH MATCHED

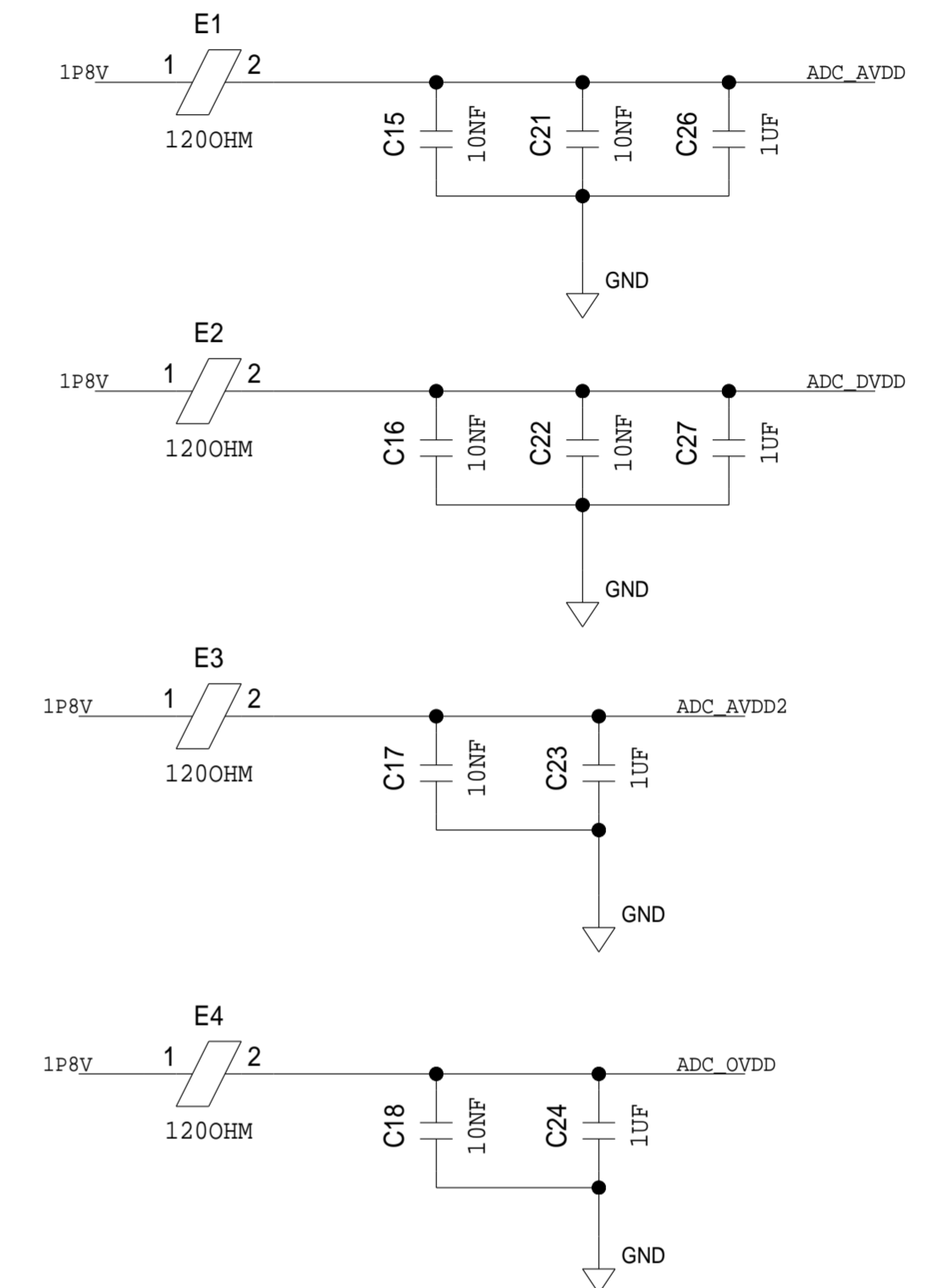


	SCHEMATIC		
	HW TYPE : Customer Evaluation Z		
	Product(s): HMCAD1520		
	: n/a		
DESIGN VIEW <DESIGN_VIEW>	DRAWING NO. 02_067426	REV D	
PTD ENGINEER M. RECIO	SIZE D	SCALE 1:1	SHEET 4 OF 6

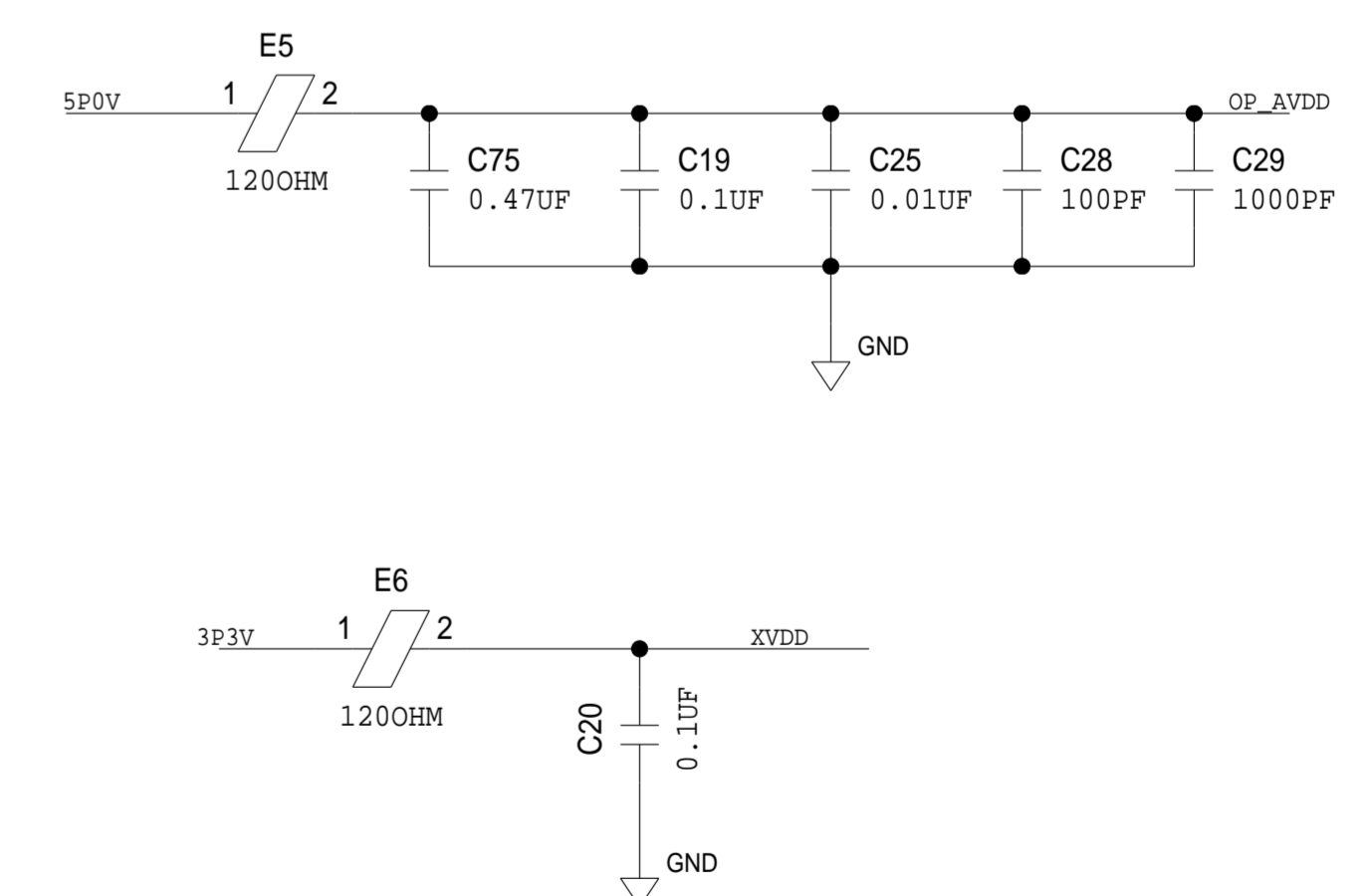
POWER SUPPLY

REVISIONS			
REV	DESCRIPTION	DATE	APPROVED

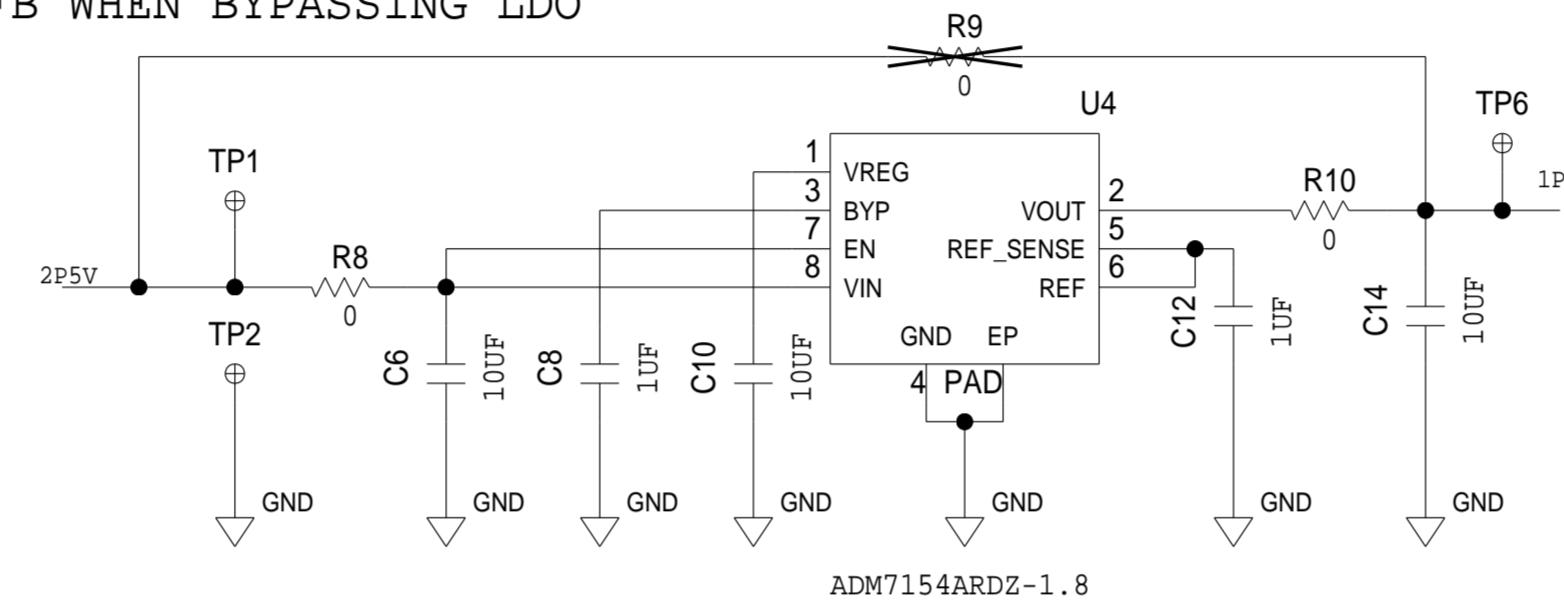
PLACE 10NF NEAR EACH ADC POWER PIN



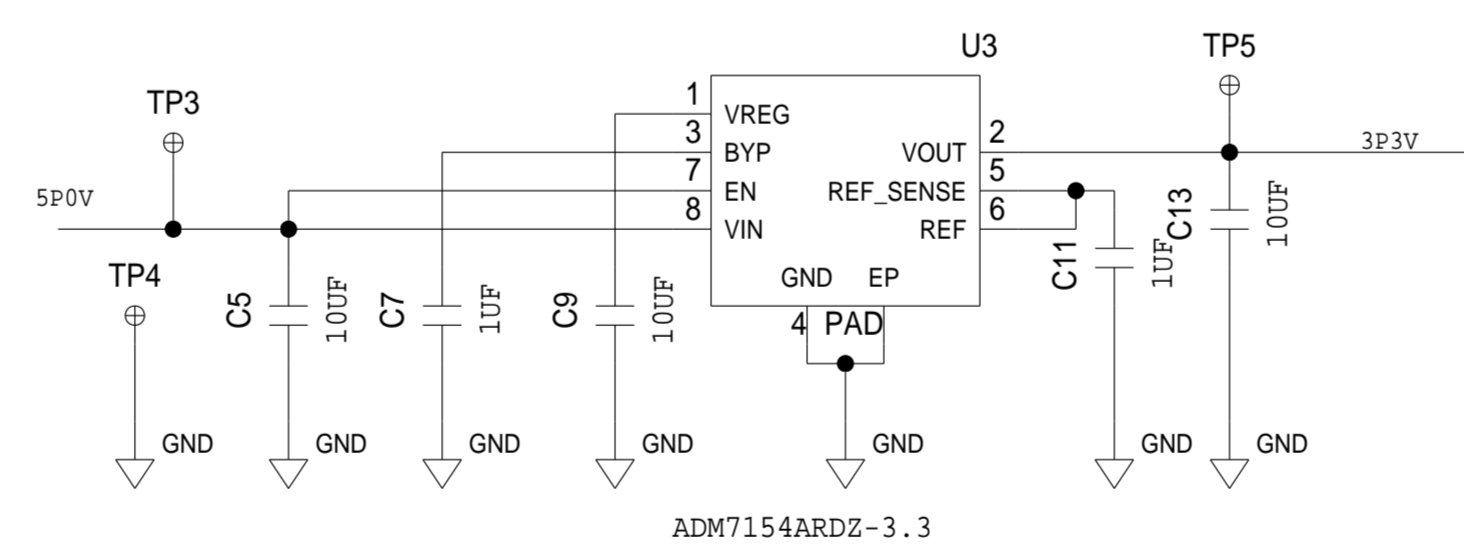
PLACE CAPS NEAR POWER PIN



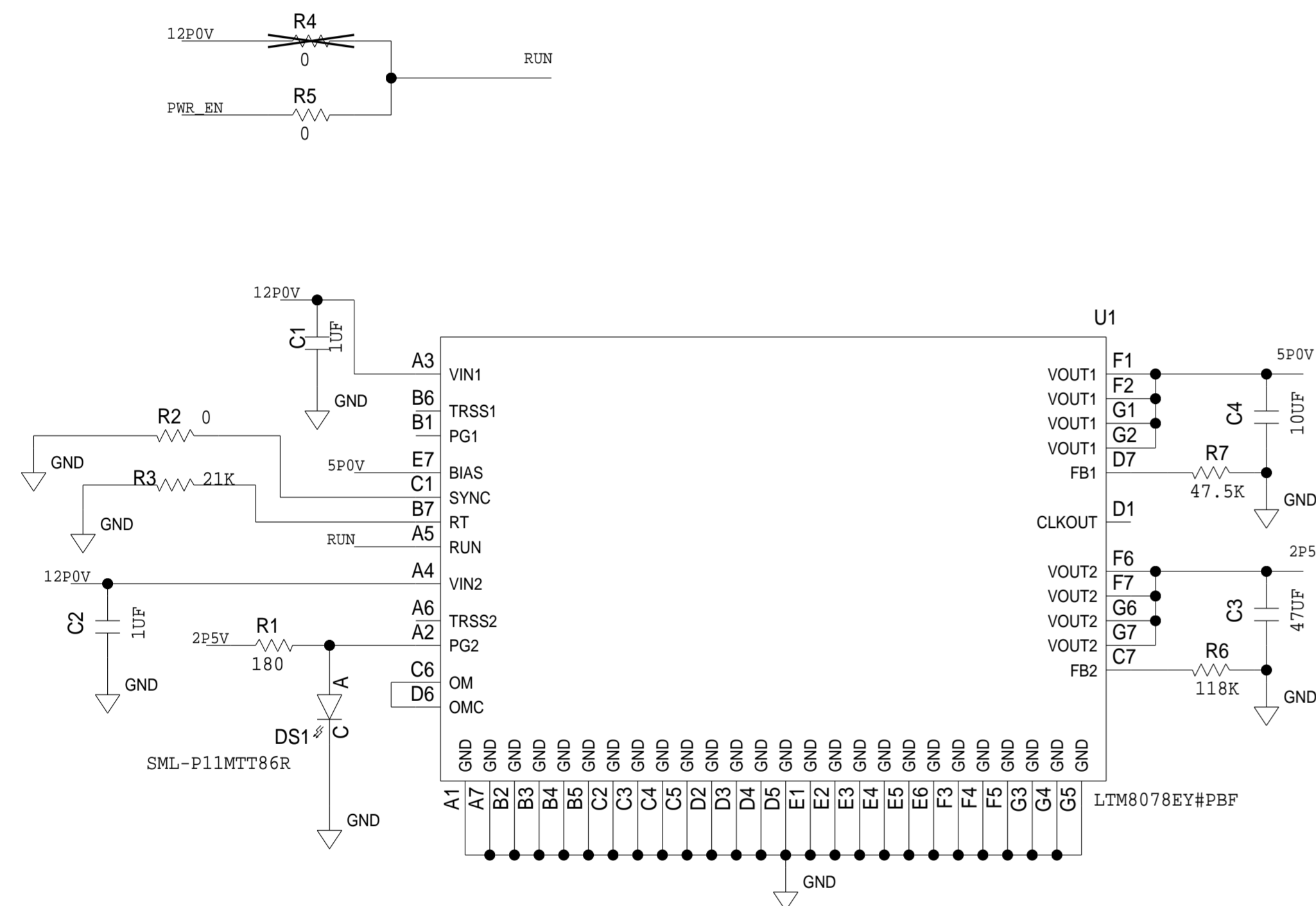
CHANGE RFB AND CFB WHEN BYPASSING LDO



ADM7154ARDZ-1.8



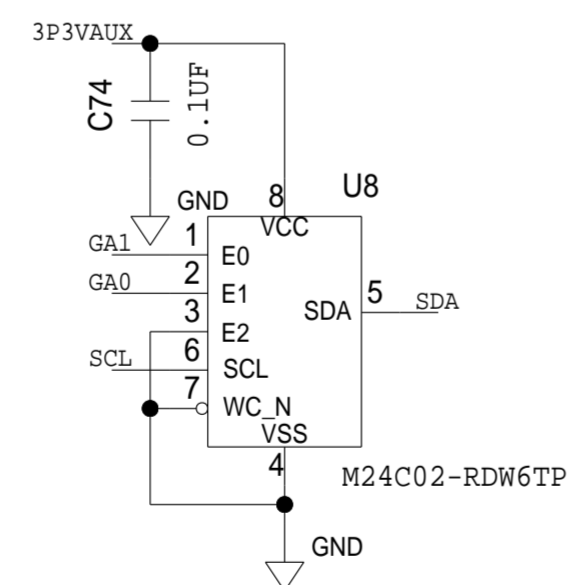
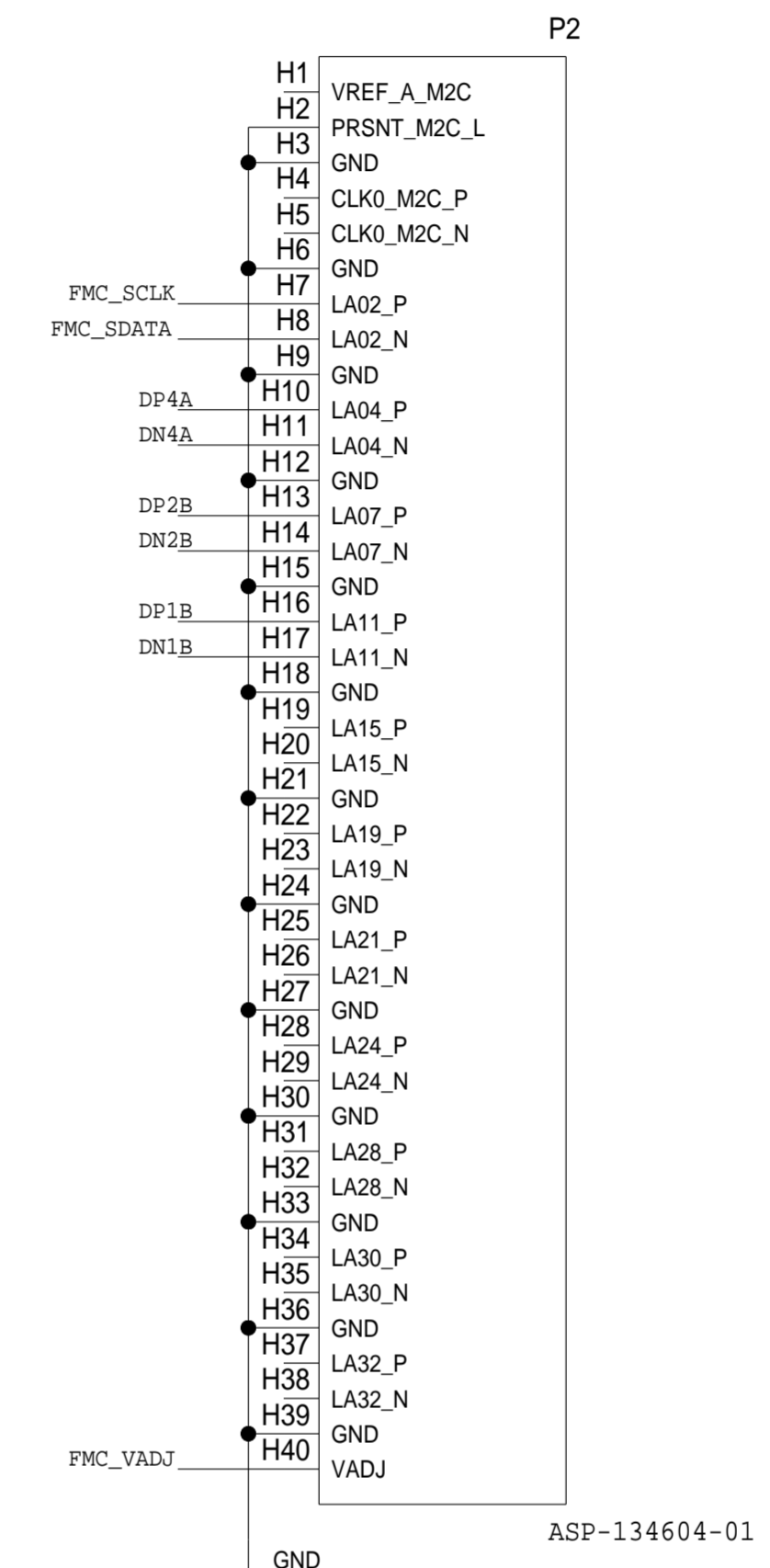
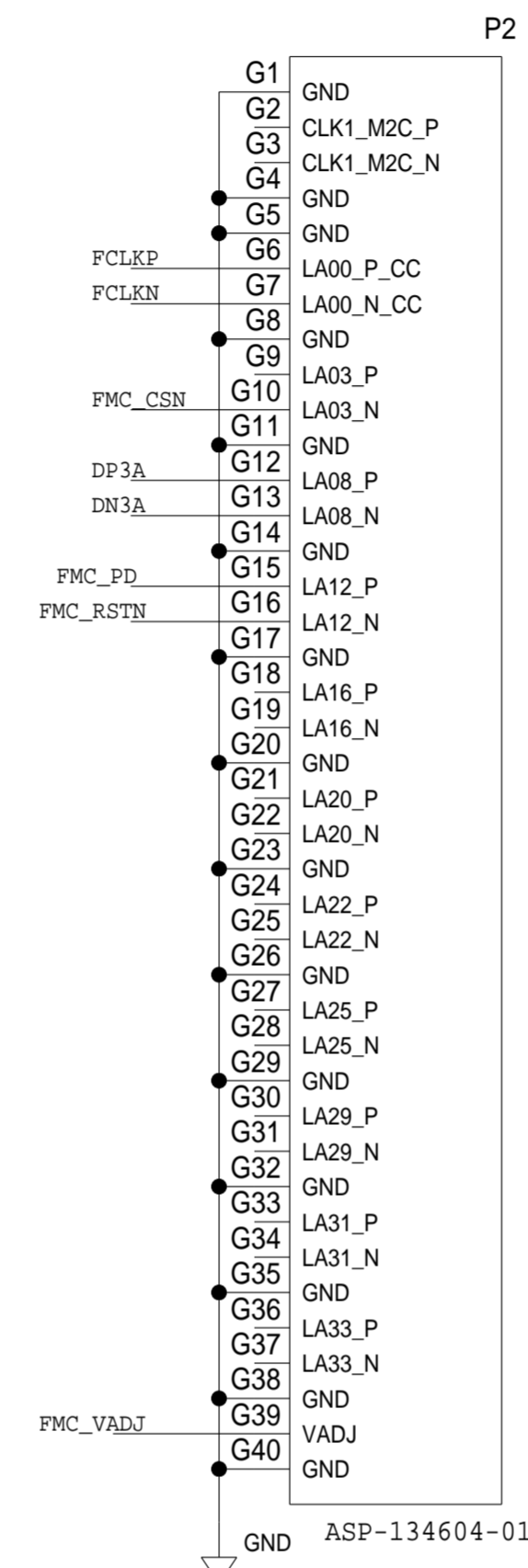
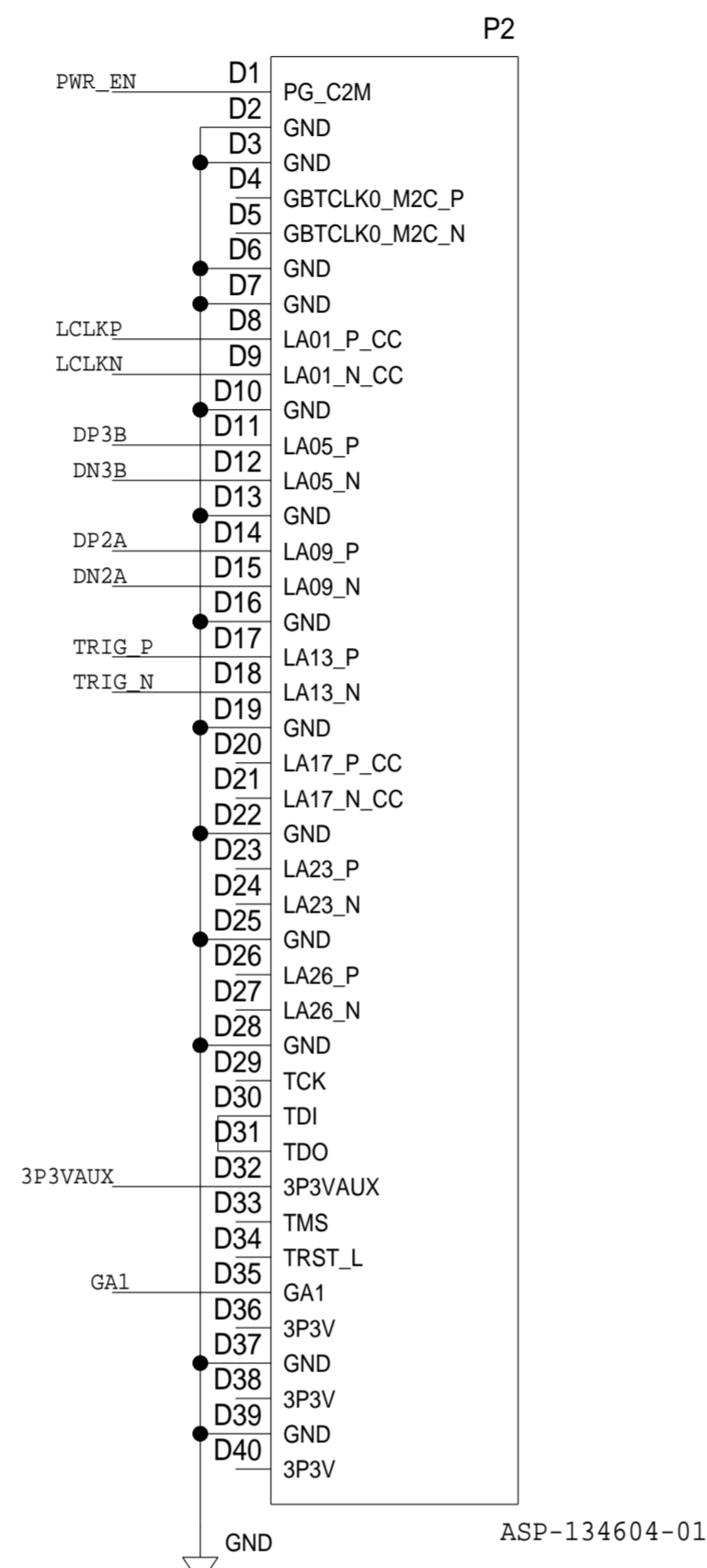
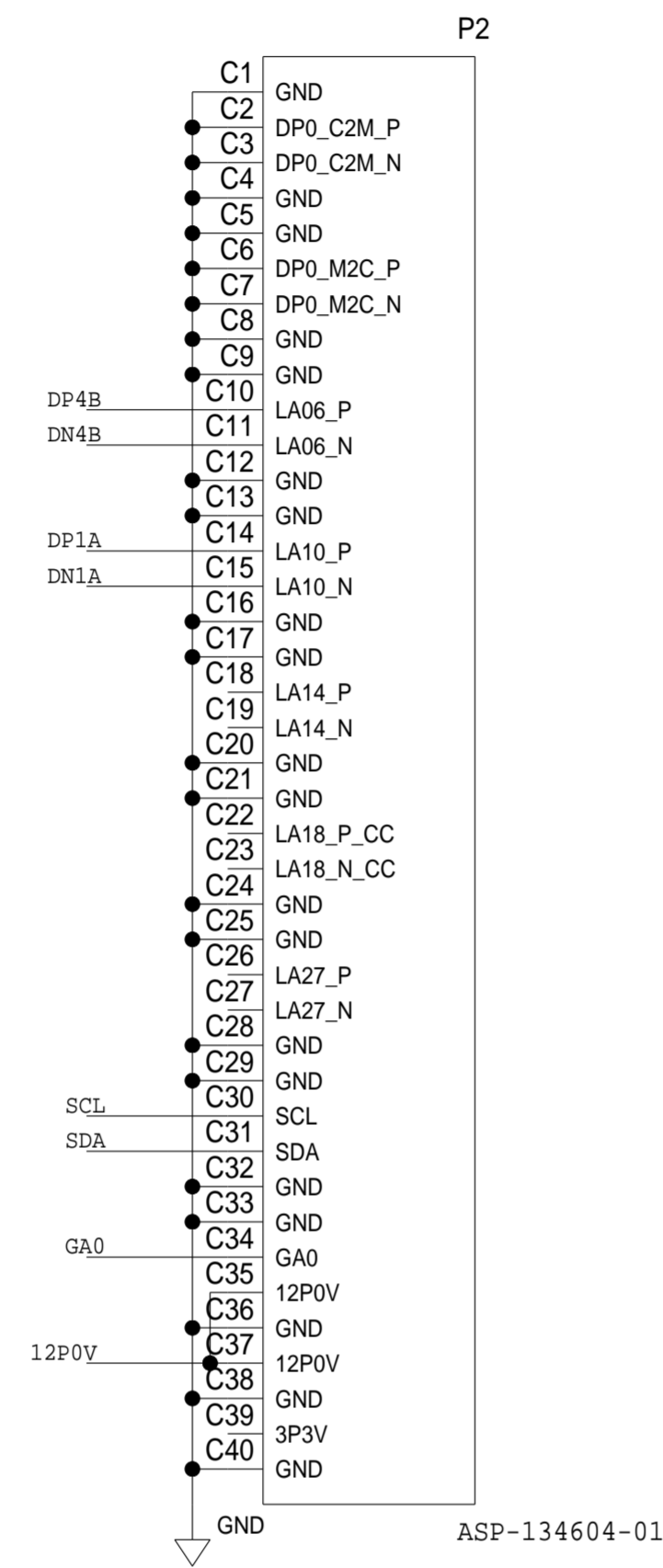
ADM7154ARDZ-3.3



ANALOG DEVICES				SCHEMATIC			
<small>THIS DRAWING IS THE PROPERTY OF ANALOG DEVICES INC. IT IS NOT TO BE REPRODUCED OR COPIED, IN WHOLE OR IN PART, OR USED IN ANY MANNER THAT MAY BE DETRIMENTAL TO THE INTERESTS OF ANALOG DEVICES. THE EQUIPMENT SHOWN HEREIN MAY BE PROTECTED BY PATENTS OWNED OR CONTROLLED BY ANALOG DEVICES.</small>				HW TYPE : Customer Evaluation Z		DRAWING NO. 02_067426	
				Product(s) : HMCAD1520		REV D	
DESIGN VIEW <DESIGN_VIEW>		SIZE D	SCALE 1:1	SHEET 5 OF 6			
PTD ENGINEER M. RECIO							

FMC CONNECTIONS

REVISIONS			
REV	DESCRIPTION	DATE	APPROVED



	SCHEMATIC		
	HW TYPE : Customer Evaluation Z Product(s) : HMCAD1520 : n/a		
<small>THIS DRAWING IS THE PROPERTY OF ANALOG DEVICES INC. IT IS NOT TO BE REPRODUCED OR COPIED, IN WHOLE OR IN PART, OR USED IN FURNISHING INFORMATION TO OTHERS, OR FOR ANY OTHER PURPOSE DETRIMENTAL TO THE INTERESTS OF ANALOG DEVICES. THE EQUIPMENT SHOWN HEREIN MAY BE PROTECTED BY PATENTS OWNED OR CONTROLLED BY ANALOG DEVICES.</small>	DESIGN VIEW <DESIGN_VIEW>	DRAWING NO. 02_067426	REV D
	PTD ENGINEER M. RECIO	SIZE D	SCALE 1:1