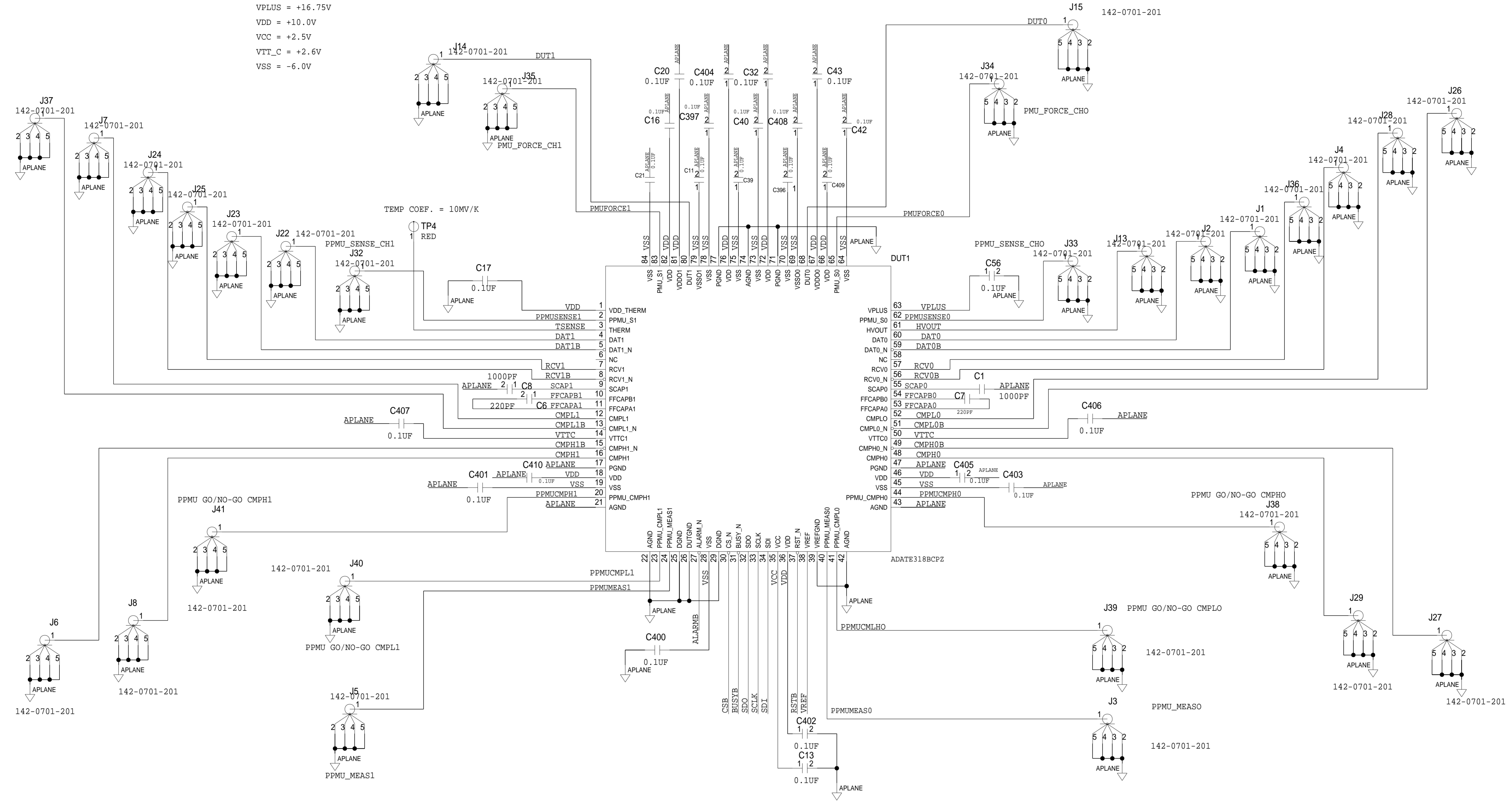


REVISIONS			
REV	DESCRIPTION	DATE	APPROVED

ADATE318

VPLUS = +16.75V
VDD = +10.0V
VCC = +2.5V
VTT_C = +2.6V
VSS = -6.0V

TEMP COEF. = 10MV/K

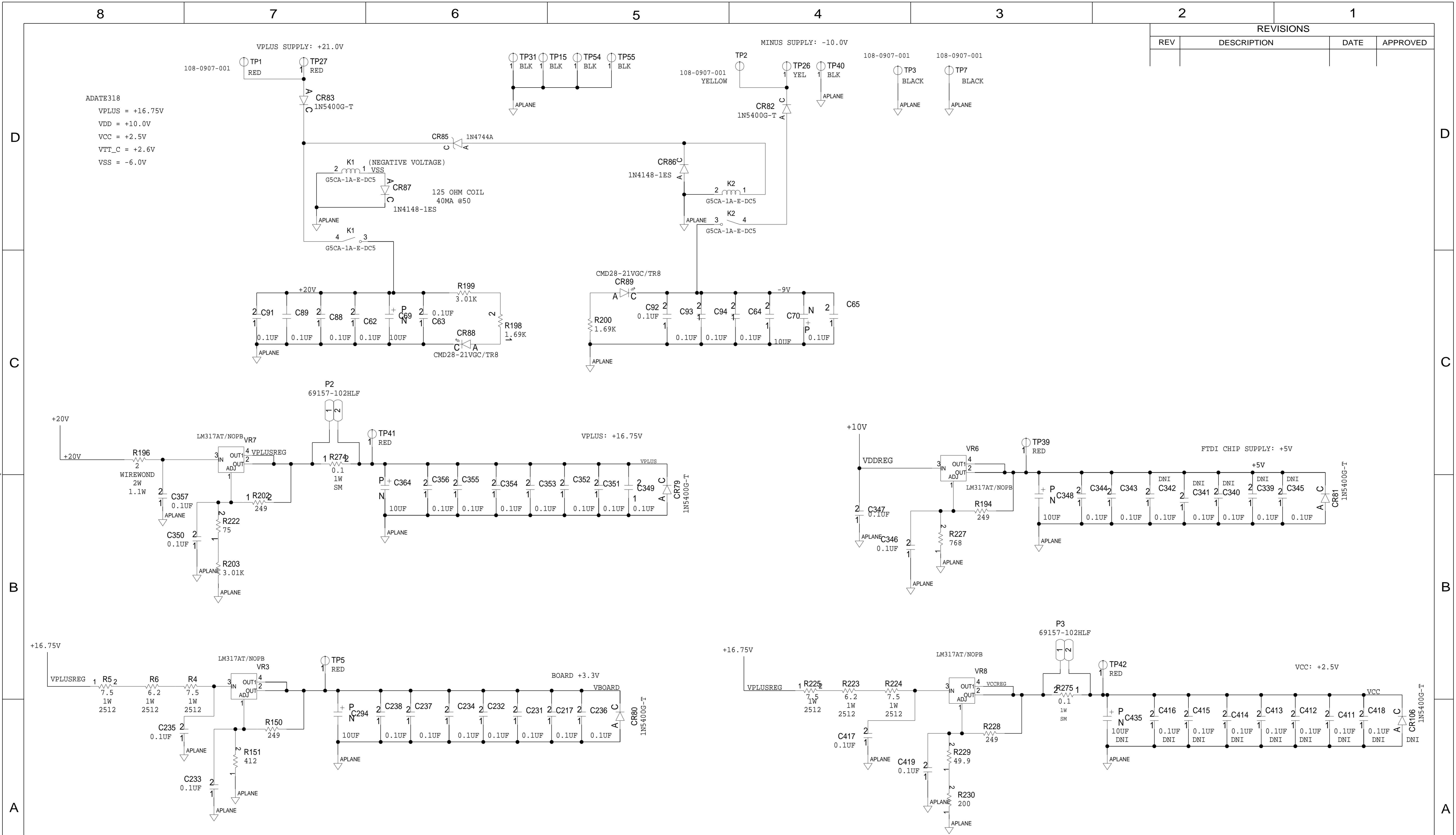


	SCHEMATIC		
	HW TYPE : Customer Evaluation Z Product(s) : EVAL-ADATE318BCPZ : N/A		
DESIGN VIEW <DESIGN_VIEW>	DRAWING NO. 02_048233	REV C2	
PTD ENGINEER A. KILANTANG	SIZE D	SCALE 1:1	SHEET 2 OF 7

THIS DRAWING IS THE PROPERTY OF ANALOG DEVICES INC. IT IS NOT TO BE REPRODUCED OR COPIED, IN WHOLE OR IN PART, OR USED IN FURNISHING INFORMATION TO OTHERS, OR FOR ANY OTHER PURPOSE DETRIMENTAL TO THE INTERESTS OF ANALOG DEVICES. THE EQUIPMENT SHOWN HEREIN MAY BE PROTECTED BY PATENTS OWNED OR CONTROLLED BY ANALOG DEVICES.

REVISIONS			
REV	DESCRIPTION	DATE	APPROVED

ADATE318
VPLUS = +16.75V
VDD = +10.0V
VCC = +2.5V
VTT_C = +2.6V
VSS = -6.0V

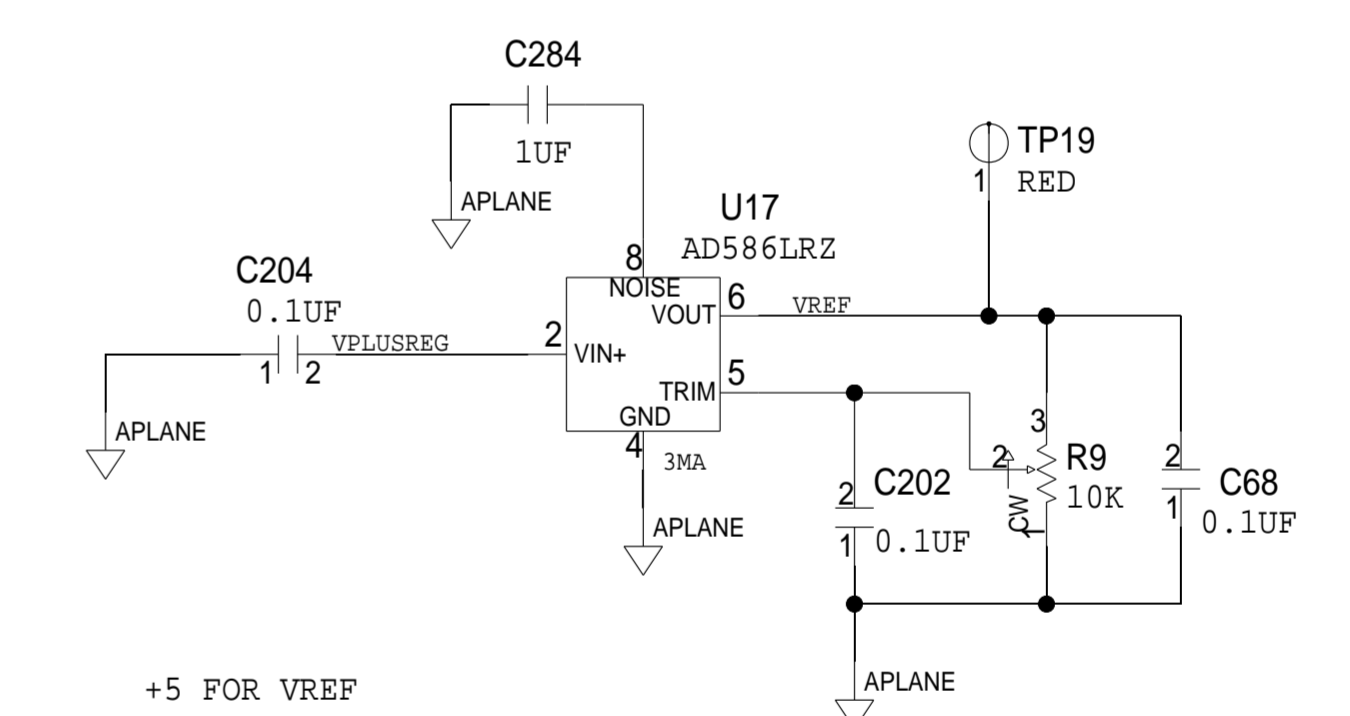
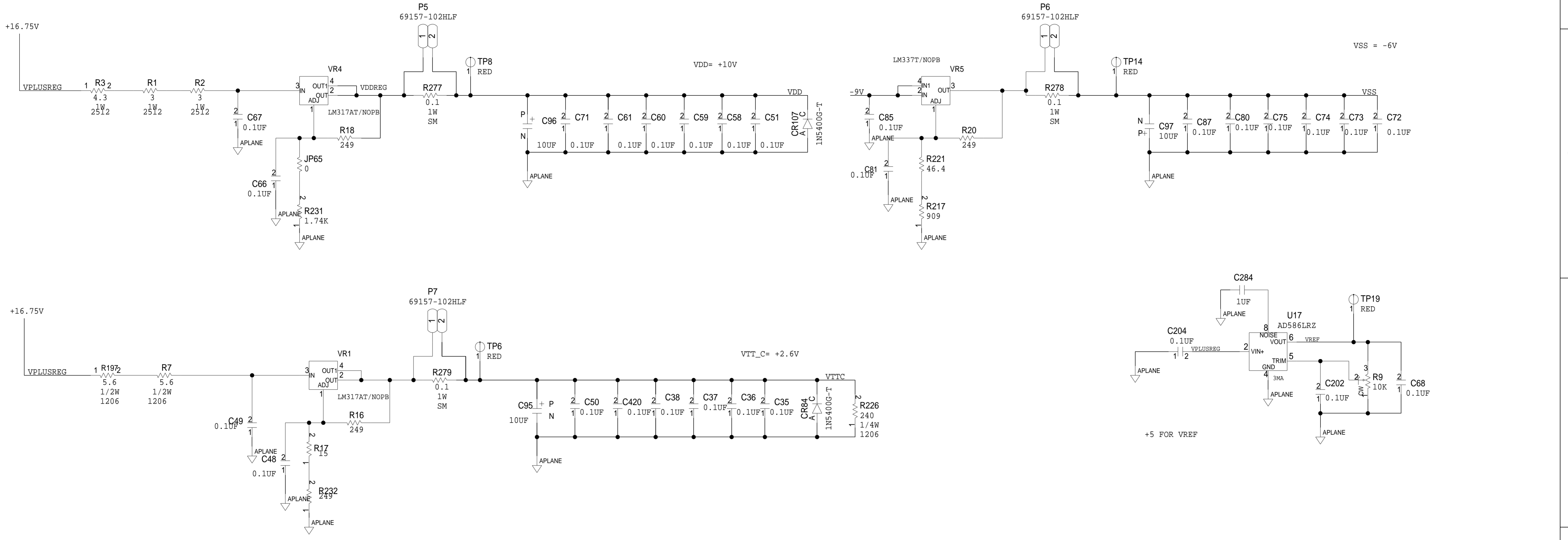


SCHEMATIC			
		HW TYPE : Customer Evaluation Z Product(s) : EVAL-ADATE318BCPZ : N/A	
DESIGN VIEW <DESIGN_VIEW>		DRAWING NO. 02_048233	
PTD ENGINEER A. KILANTANG		SIZE D	SCALE 1:1
		SHEET 3 OF 7	REV C2

REVISIONS			
REV	DESCRIPTION	DATE	APPROVED

ADATE318

VPLUS = +16.75V
VDD = +10.0V
VCC = +2.5V
VTT_C = +2.6V
VSS = -6.0V

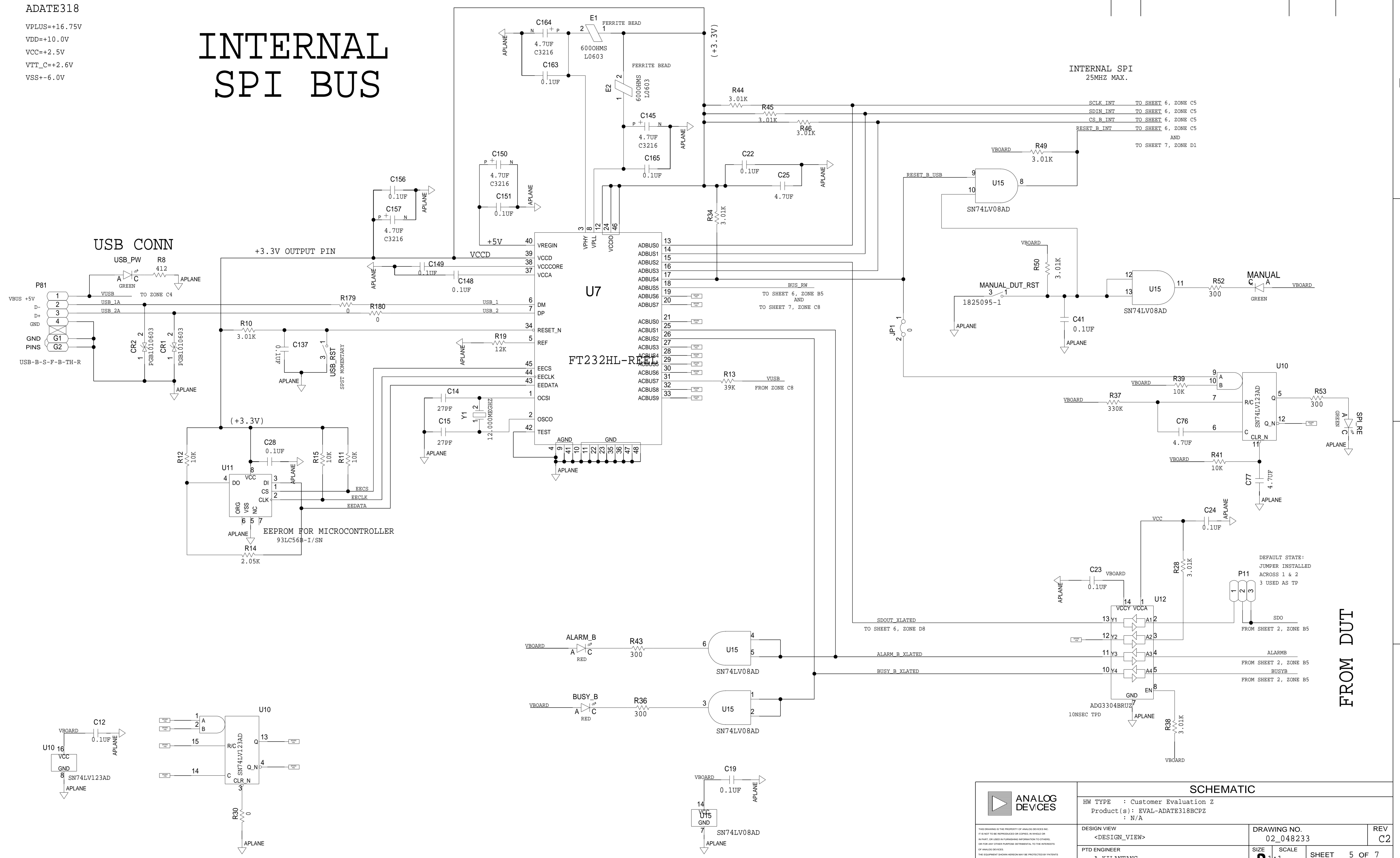


	SCHEMATIC		
	HW TYPE : Customer Evaluation Z Product(s): EVAL-ADATE318BCPZ : N/A		
	DESIGN VIEW <DESIGN_VIEW>	DRAWING NO. 02_048233	REV C2
	PTD ENGINEER A. KILANTANG	SIZE D	SCALE 1:1
		SHEET 4 OF 7	COMMENT_BODY

REVISIONS			
REV	DESCRIPTION	DATE	APPROVED

ADATE318
VPLUS=+16.75V
VDD=+10.0V
VCC=+2.5V
VTT_C=+2.6V
VSS=-6.0V

INTERNAL SPI BUS



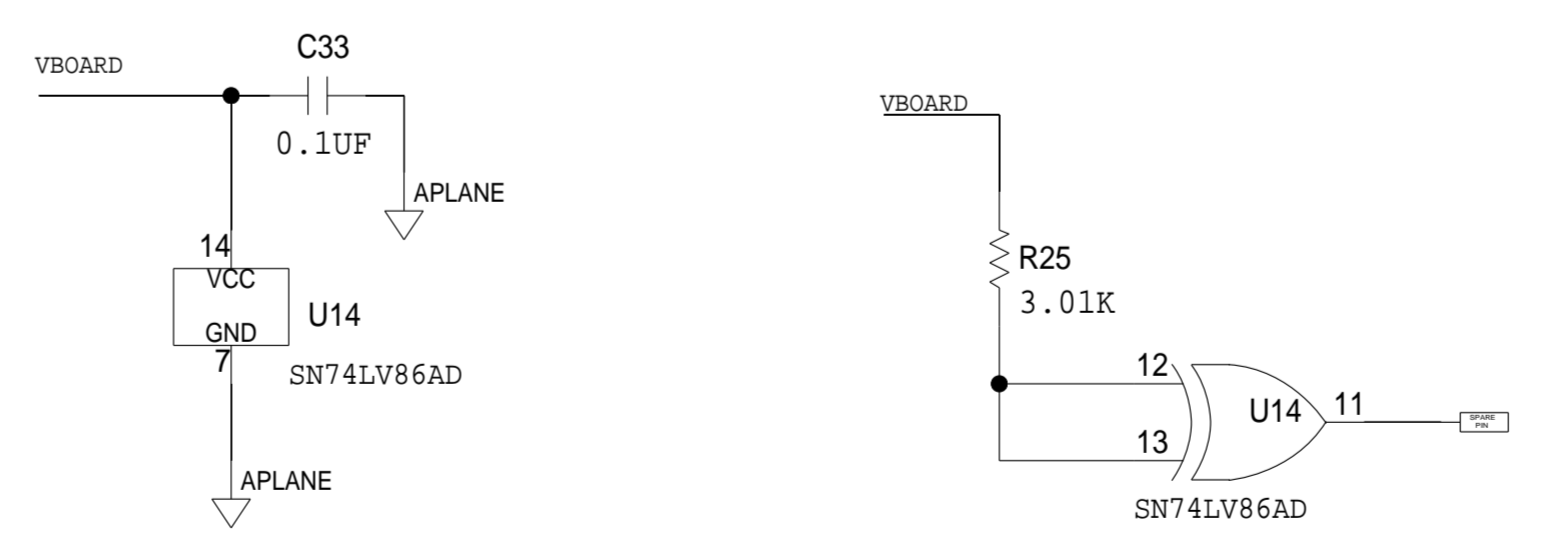
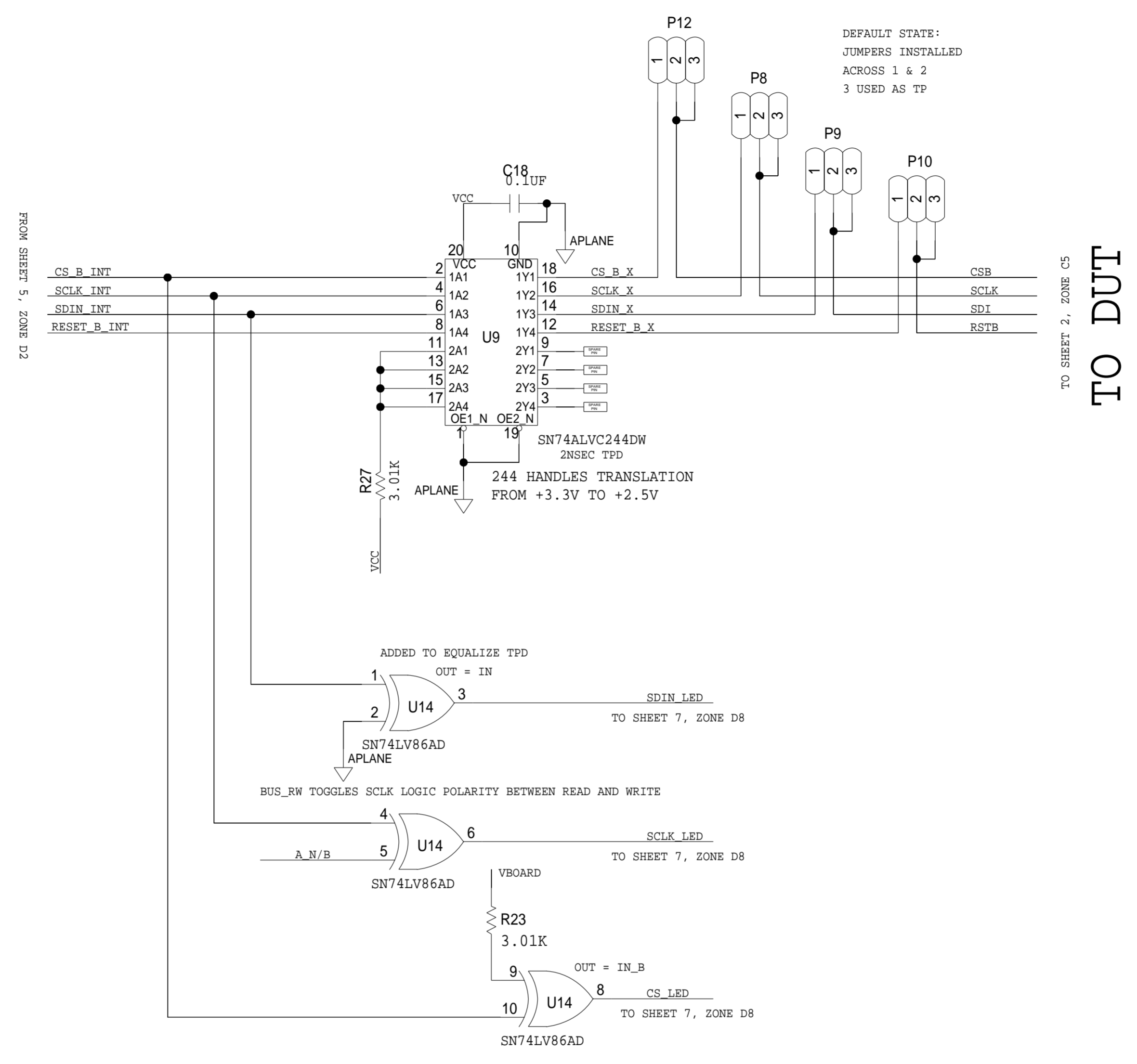
SCHEMATIC			
HW TYPE : Customer Evaluation Z Product(s) : EVAL-ADATE318BCPZ : N/A		DRAWING NO. 02_048233	REV C2
DESIGN VIEW <DESIGN_VIEW>	PTD ENGINEER A. KILANTANG	SIZE D 1:1	SCALE SHEET 5 OF 7

ANALOG DEVICES
THIS DRAWING IS THE PROPERTY OF ANALOG DEVICES INC. IT IS NOT TO BE REPRODUCED OR COPIED, IN WHOLE OR IN PART, OR USED IN ANY MANNER WITHOUT THE WRITTEN PERMISSION OF ANALOG DEVICES. THE EQUIPMENT SHOWN HEREIN MAY BE PROTECTED BY PATENTS OWNED OR CONTROLLED BY ANALOG DEVICES.

FROM DUT

REVISIONS			
REV	DESCRIPTION	DATE	APPROVED

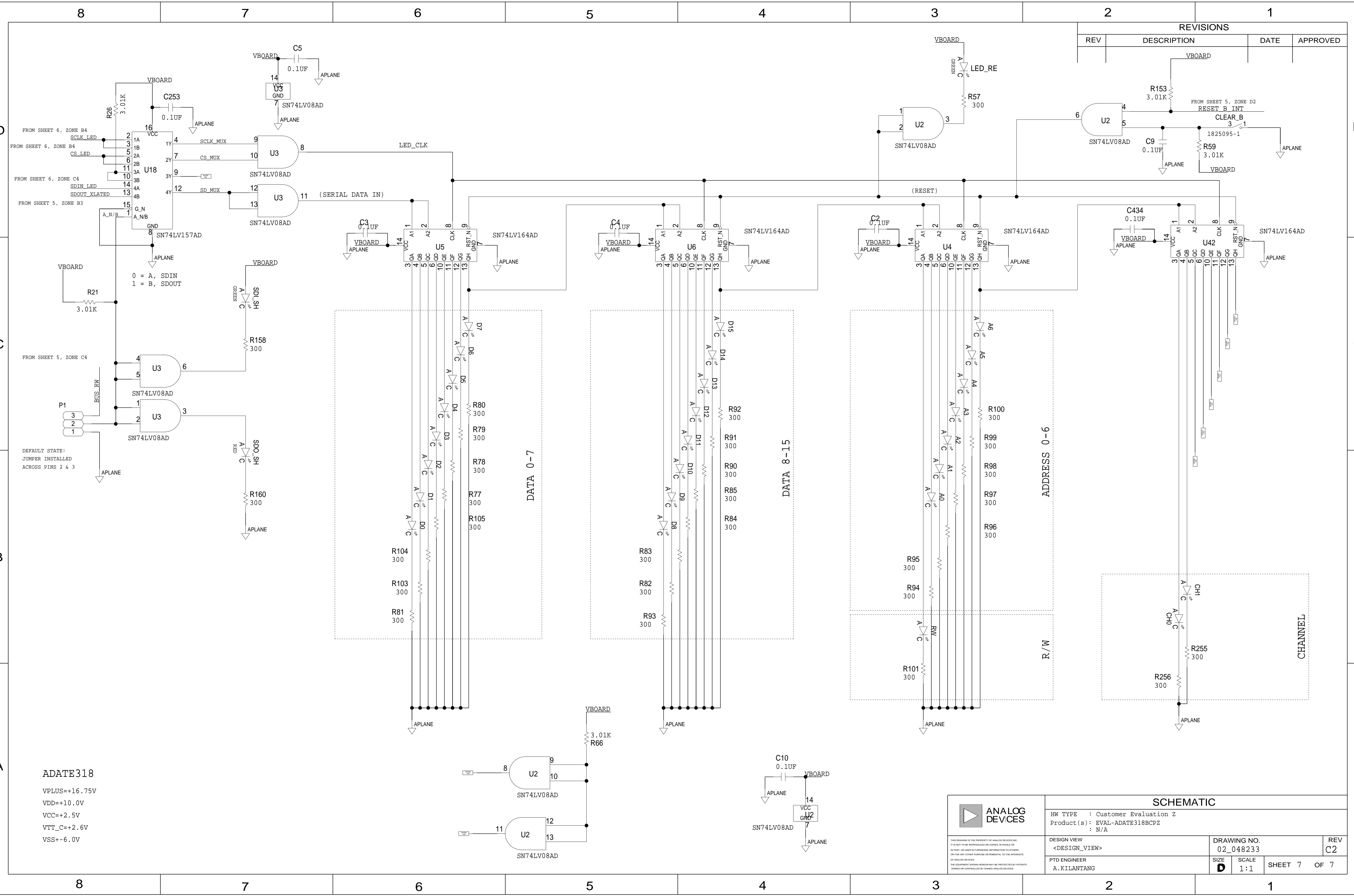
ADATE318
VPLUS = +16.75V
VDD = +10.0V
VCC = +2.5V
VTI_C = +2.6V
VSS = -6.0V



TO SHEET 2, ZONE C5
TO DUT

	SCHEMATIC		
	HW TYPE : Customer Evaluation Z Product(s): EVAL-ADATE318BCPZ : N/A		
	DESIGN VIEW <DESIGN_VIEW>	DRAWING NO. 02_048233	REV C2
	PTD ENGINEER A. KILANTANG	SIZE D	SCALE 1:1
		SHEET 6 OF 7	

REVISIONS			
REV	DESCRIPTION	DATE	APPROVED



ADATE318
 VPLUS=+16.75V
 VDD=+10.0V
 VCC=+2.5V
 VTT_C=+2.6V
 VSS=-6.0V

	SCHEMATIC		
	HW TYPE : Customer Evaluation Z Product(s) : EVAL-ADATE318BCPZ : N/A		
DESIGN VIEW <DESIGN_VIEW>	DRAWING NO. 02_048233	REV C2	
PTD ENGINEER A. KILANTANG	SIZE D	SCALE 1:1	SHEET 7 OF 7

THIS DRAWING IS THE PROPERTY OF ANALOG DEVICES INC. IT IS NOT TO BE REPRODUCED OR COPIED IN WHOLE OR IN PART, OR USED IN ANY MANNER FOR THE INTERESTS OF ANY OTHER PARTY WITHOUT THE WRITTEN PERMISSION OF ANALOG DEVICES. THE EQUIPMENT SHOWN HEREIN MAY BE PROTECTED BY PATENTS OWNED OR CONTROLLED BY ANALOG DEVICES.