

8 7 6

THIS DRAWING IS THE PROPERTY OF ANALOG DEVICES INC. IT IS NOT TO BE REPRODUCED OR COPIED, IN WHOLE OR IN PART, OR USED IN FURNISHING INFORMATION TO OTHERS, OR FOR ANY OTHER PURPOSE DETRIMENTAL TO THE INTERESTS OF ANALOG DEVICES. THE EQUIPMENT SHOWN HEREON MAY BE PROTECTED BY PATENTS OWNED OR CONTROLLED BY ANALOG DEVICES.

RELAY CONTROL CHART

CONTROL	CODE	DEVICE	FUNCTION	CONNECTOR

5 4 3

JUMPER TABLE		
JP#	ON	OFF
1		
2		
3		
4		
5		

\* SEE ASSEMBLY INSTRUCTIONS

2 1

REVISIONS			
REV	DESCRIPTION	DATE	APPROVED
A	INITIAL RELEASE	FEB-2016	C. CHANDRA


P.O SPEC.	BK/BD SPEC.	SOCKET OEM	OEM PART#	HANDLER

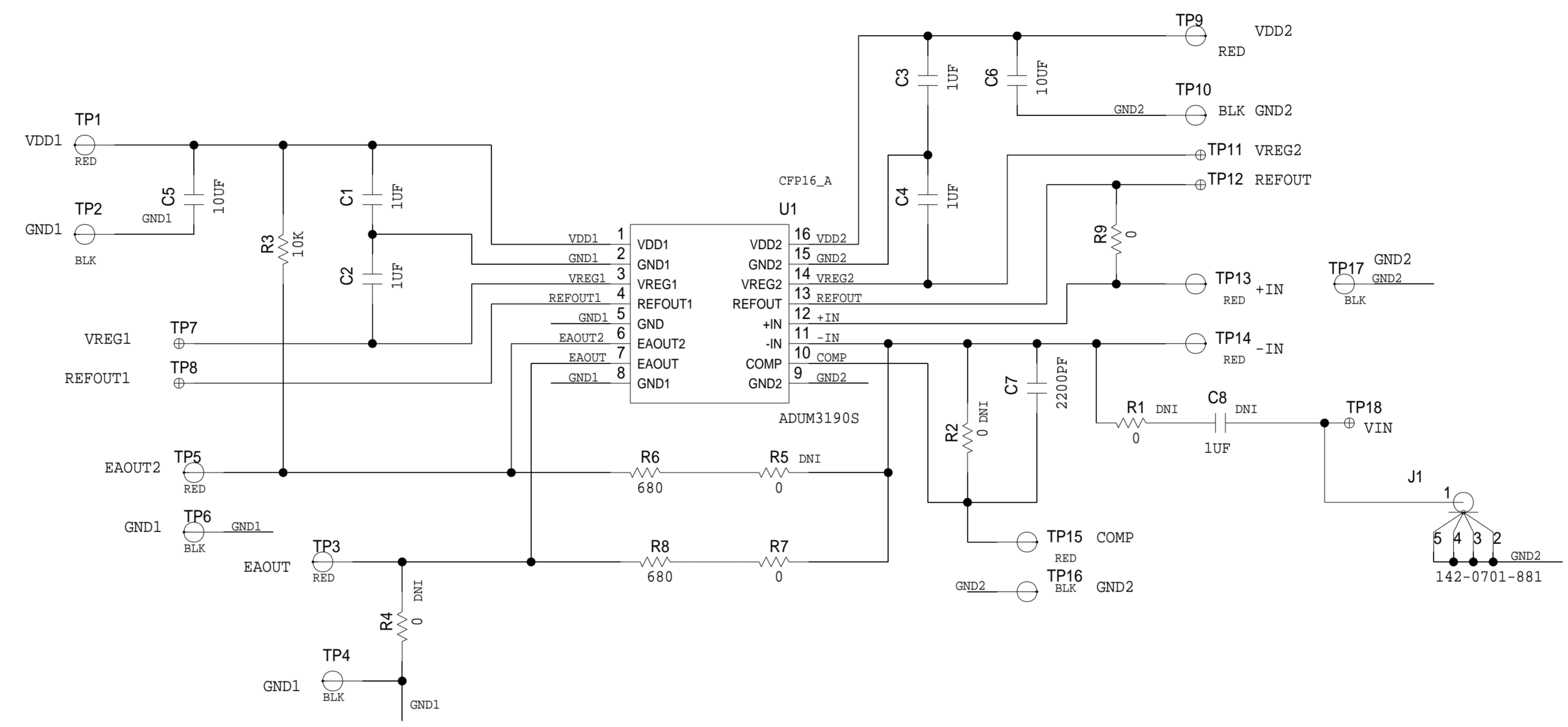
8 7 6 5 4 3 2 1

TEMPLATE ENGINEER G. CELEDONIO	DATE FEB-2016
HARDWARE SERVICES R. MACDONALD	FEB-2016
HARDWARE SYSTEMS J. KEANE	FEB-2016
TEST ENGINEER N/A	N/A
COMPONENT ENGINEER A. CAUILAN	FEB-2016
TEST PROCESS N/A	N/A
HARDWARE RELEASE R. AMARILLE	FEB-2016
DESIGNER J. SAYSON	FEB-2016
PTD ENGINEER C. CHERRY	FEB-2016
CHECKER N/A	N/A

SCHEMATIC			
HW TYPE : Customer Evaluation			
Product(s) : ADuM3190S : N/A			
PACKAGE : 16-lead 6.86X10.16_MM CERPAK-family : Pitch-pitch StyleVendor Style			
<User Define>			
<User Define>			
<User Define>			
MASTER PROJECT TEMPLATE TBD	TESTER TEMPLATE no_template	DRAWING NO. 02_042413	REV. A
UNLESS OTHERWISE SPECIFIED DIMENSIONS ARE IN INCHES TOLERANCES		SIZE <b>D</b>	SCALE 1:1
DECIMALS X.XX +0.010 X.XXX +0.005	FRACTIONS +1/32	ANGLES +2	CODE ID NO. CodeID
SHEET 1	OF 2		



REVISIONS			
REV	DESCRIPTION	DATE	APPROVED



	<b>SCHEMATIC</b>		
	HW TYPE : Customer Evaluation Product(s): ADUM3190S : N/A		
	DESIGN VIEW <DESIGN_VIEW>	DRAWING NO. 02_042413	REV A
	PTD ENGINEER C. CHERRY	SIZE <b>D</b>	SCALE 1:1

THIS DRAWING IS THE PROPERTY OF ANALOG DEVICES INC. IT IS NOT TO BE REPRODUCED OR COPIED, IN WHOLE OR IN PART, OR USED IN ANY MANNER FOR THE PURPOSES OF REPRODUCING INFORMATION TO OTHERS, OR FOR ANY OTHER PURPOSE DETRIMENTAL TO THE INTERESTS OF ANALOG DEVICES. THE EQUIPMENT SHOWN HEREON MAY BE PROTECTED BY PATENTS OWNED OR CONTROLLED BY ANALOG DEVICES.

8 7 6 5 4 3 2 1

8 7 6 5 4 3 2 1

D C B A

D C B A