

4

3

2

1

D

D

C

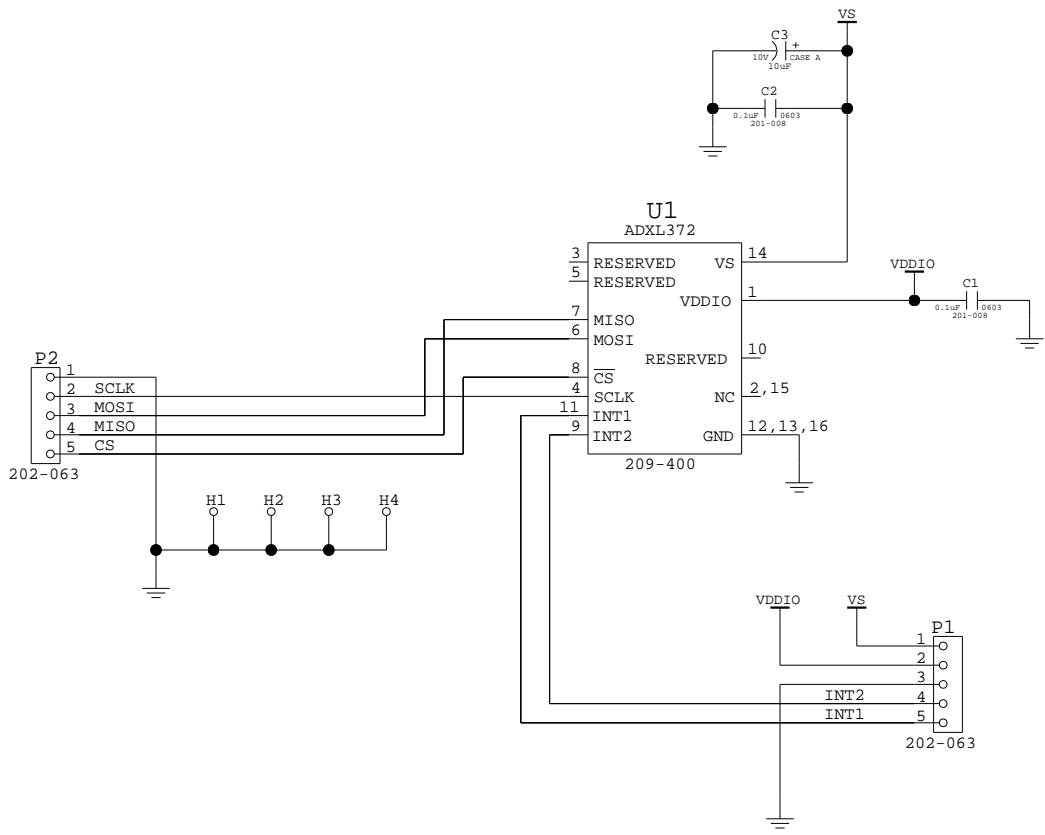
C

B

B

A

A



ANALOG DEVICES		
NAME: ADXL372Z Evaluation Board		
Size A	CODE: 301-720	Rev:
DATE: 2015-07-23	Sheet: 1 of 1	

4

3

2

1