

THIS DRAWING IS THE PROPERTY OF ANALOG DEVICES INC. IT IS NOT TO BE REPRODUCED OR COPIED, IN WHOLE OR IN PART, OR USED IN FURNISHING INFORMATION TO OTHERS, OR FOR ANY OTHER PURPOSE DETRIMENTAL TO THE INTERESTS OF ANALOG DEVICES. THE EQUIPMENT SHOWN HEREON MAY BE PROTECTED BY PATENTS OWNED OR CONTROLLED BY ANALOG DEVICES.

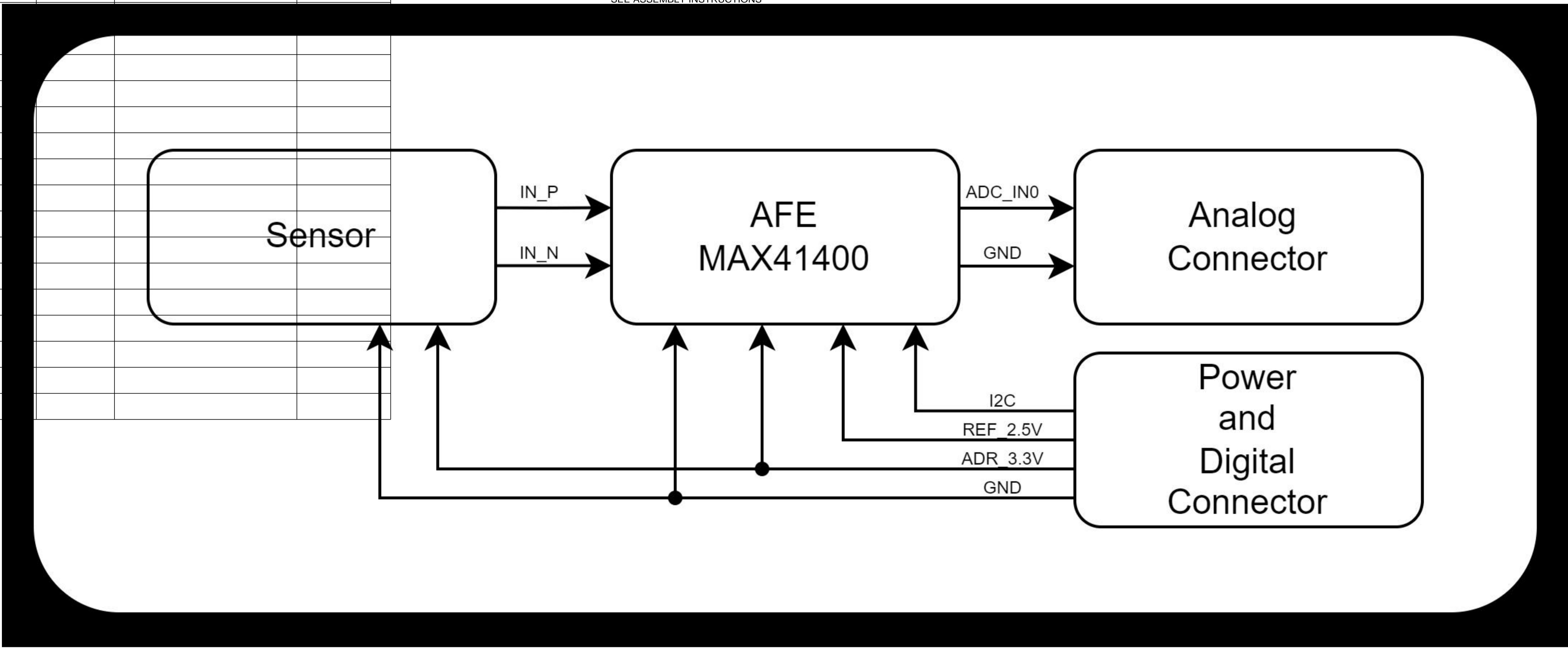
JUMPER TABLE		
JP#	ON	OFF
1		
2		
3		
4		
5		

REVISIONS			
REV	DESCRIPTION	DATE	APPROVED

RELAY CONTROL CHART

CONTROL	CODE	DEVICE	FUNCTION	CONNECTOR

\* SEE ASSEMBLY INSTRUCTIONS

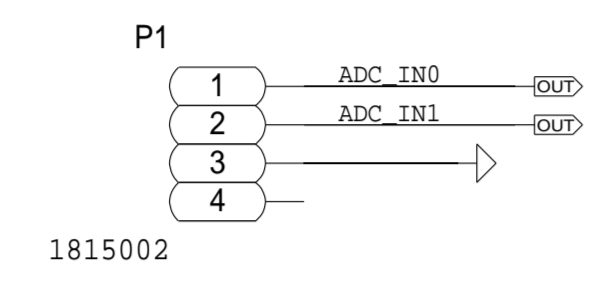


P.O SPEC.	BK/BD SPEC.	SOCKET OEM	OEM PART#	HANDLER

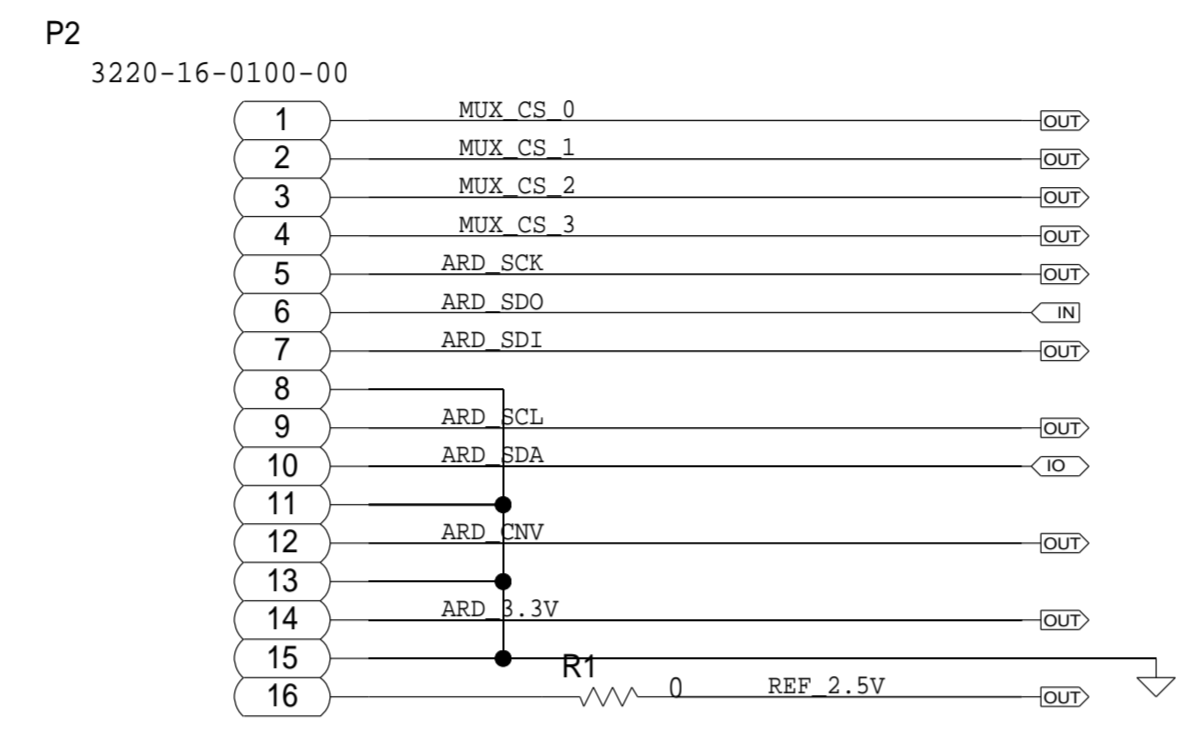
TEMPLATE ENGINEER -	DATE	<b>SCHEMATIC</b>		
HARDWARE SERVICES -				
HARDWARE SYSTEMS -		HW TYPE : Customer Evaluation		
TEST ENGINEER -		Product(s) : MAX41400		
COMPONENT ENGINEER -		: N/A		
TEST PROCESS -		PACKAGE : LeadCount-lead BodySize PackageType-family		
HARDWARE RELEASE -		: Pitch-pitch StyleVendor Style		
DESIGNER -		MASTER PROJECT TEMPLATE TBD	TESTER TEMPLATE 067706_a	DRAWING NO. 02_073355
PTD ENGINEER <PTD_ENGINEER>		UNLESS OTHERWISE SPECIFIED DIMENSIONS ARE IN INCHES		
CHECKER -		TOLERANCES		
		DECIMALS X.XX +0.010 X.XXX +0.005	FRACTIONS +1/32	ANGLES +2
		SIZE <b>D</b>	SCALE 1:1	CODE ID NO. CodeID
				SHEET 1 OF 2
				REV. <b>A</b>

REVISIONS			
REV	DESCRIPTION	DATE	APPROVED

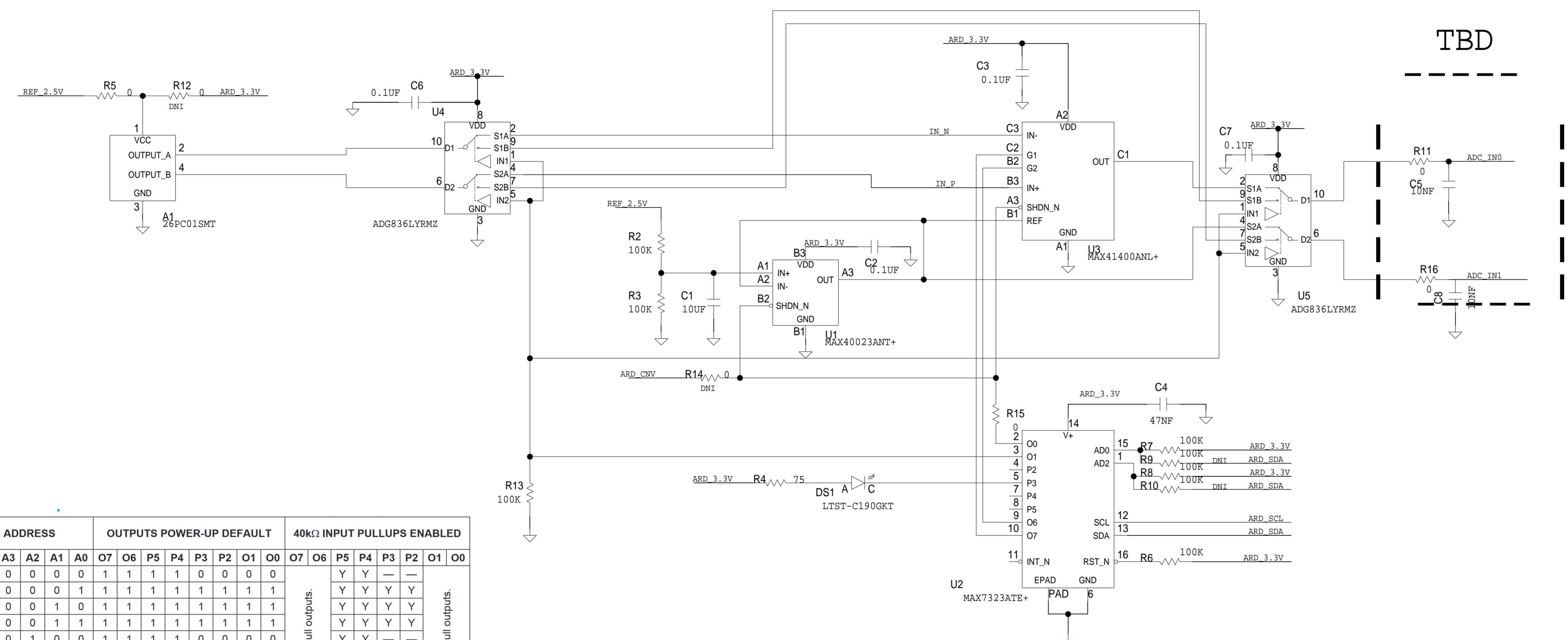
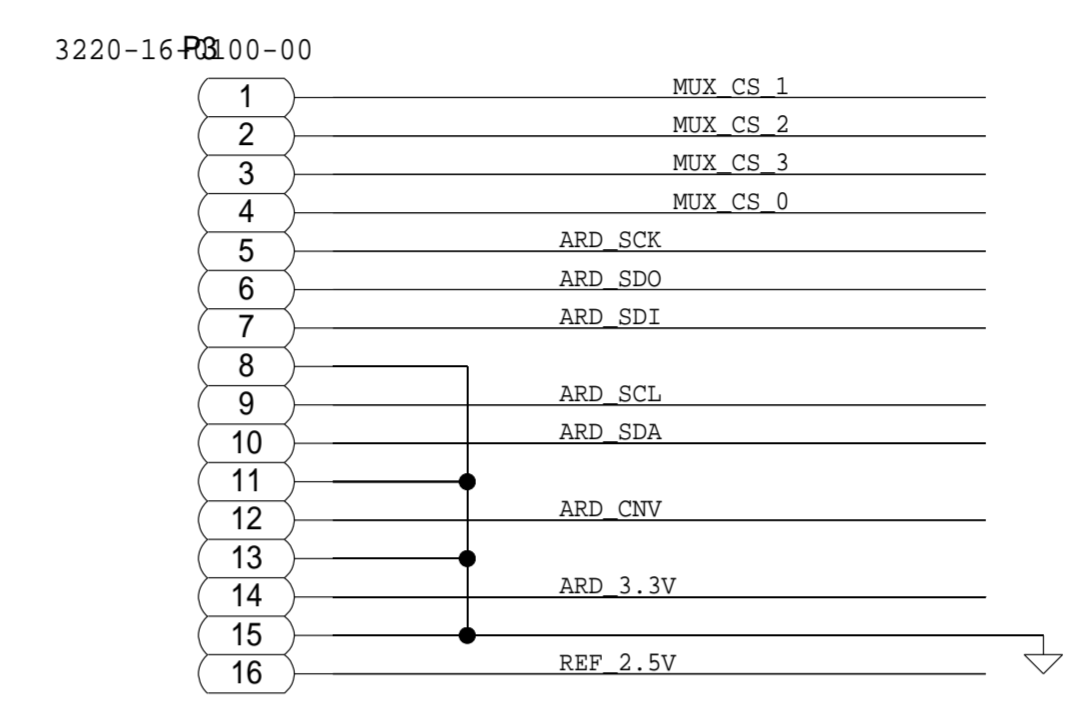
ANALOG CONNECTOR



INPUT DIGITAL AND POWER CONNECTOR



INPUT DIGITAL AND POWER CONNECTOR



TBD

PIN CONNECTION	DEVICE ADDRESS	OUTPUTS POWER-UP DEFAULT	40kΩ INPUT PULLUPS ENABLED
AD2 AD0	A6 A5 A4 A3 A2 A1 A0	O7 O6 P5 P4 P3 P2 O1 O0	O7 O6 P5 P4 P3 P2 O1 O0
SCL GND	1 1 0 0 0 0 0 0	1 1 1 1 1 0 0 0	Y Y — —
SCL V+	1 1 0 0 0 0 0 1	1 1 1 1 1 1 1 1	Y Y Y Y
SCL SCL	1 1 0 0 0 0 1 0	1 1 1 1 1 1 1 1	Y Y Y Y
SCL SDA	1 1 0 0 0 1 1 1	1 1 1 1 1 1 1 1	Y Y Y Y
SDA GND	1 1 0 0 1 0 0 0	1 1 1 1 1 0 0 0	Y Y — —
SDA V+	1 1 0 0 1 0 1 1	1 1 1 1 1 1 1 1	Y Y Y Y
SDA SCL	1 1 0 0 1 1 0 1	1 1 1 1 1 1 1 1	Y Y Y Y
SDA SDA	1 1 0 0 1 1 1 1	1 1 1 1 1 1 1 1	Y Y Y Y
GND GND	1 1 0 1 0 0 0 0	0 0 0 0 0 0 0 0	— — — —
GND V+	1 1 0 1 0 0 1 1	0 0 0 0 0 1 1 1	— — Y Y
GND SCL	1 1 0 1 0 1 0 0	0 0 0 0 0 0 1 1	— — Y Y
GND SDA	1 1 0 1 0 1 1 1	0 0 0 0 0 1 1 1	— — Y Y
V+ GND	1 1 0 1 1 0 0 1	1 1 1 1 1 0 0 0	Y Y — —
V+ V+	1 1 0 1 1 0 1 1	1 1 1 1 1 1 1 1	Y Y Y Y
V+ SCL	1 1 0 1 1 1 0 1	1 1 1 1 1 1 1 1	Y Y Y Y
V+ SDA	1 1 0 1 1 1 1 1	1 1 1 1 1 1 1 1	Y Y Y Y

Pullups are not enabled for push-pull outputs.

Pullups are not enabled for push-pull outputs.

	<b>SCHEMATIC</b>		
	HW TYPE : Customer Evaluation Product(s) : MAX41400 : N/A		
DESIGN VIEW <DESIGN_VIEW>	DRAWING NO. 02_073355	REV A	
PTD ENGINEER <PTD_ENGINEER>	SIZE D	SCALE 1:1	SHEET 2 OF 2